

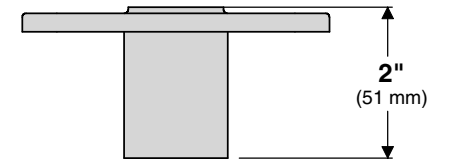
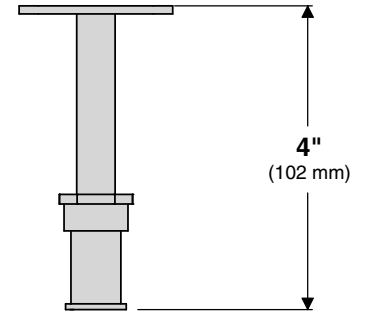
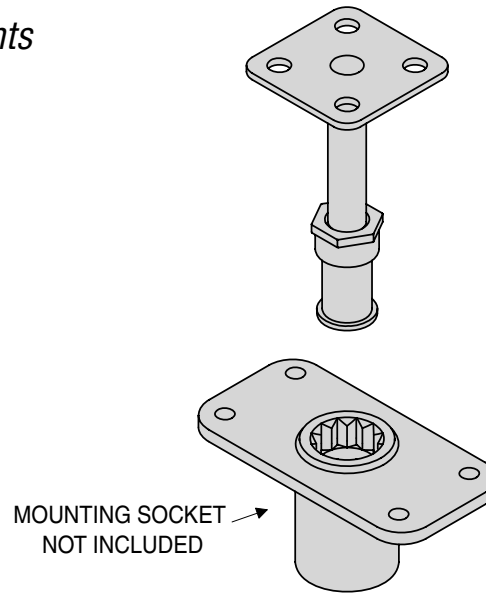
# T10-360 Socket Type Rod Holder Mount

Fits Tempres® "Fish-On" Flush Deck Mounts

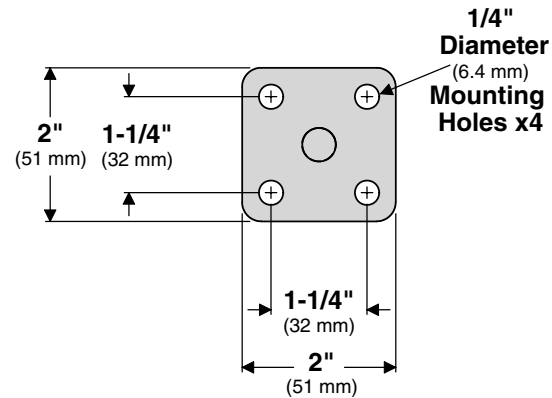
Mount Weight 0.64 lb.  
(0.29 kg)



**MAGMA PRODUCTS, INC.**  
3940 PIXIE AVE. • LAKEWOOD, CA 90712  
TEL (562) 627-0500 • FAX (562) 627-0550  
[www.MagmaProducts.com](http://www.MagmaProducts.com)  
email: [Mail@MagmaProducts.com](mailto:Mail@MagmaProducts.com)



**TOP VIEW  
OF MOUNT**



**TOP VIEW  
OF SOCKET**

