

T10-355 "LevelLock"[®] All-Angle Fish-Rod Holder Mount

Mount Weight 2.10 lb.
(0.95 kg)



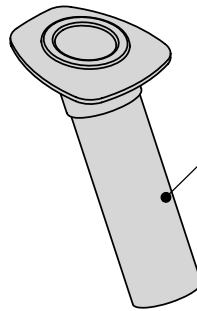
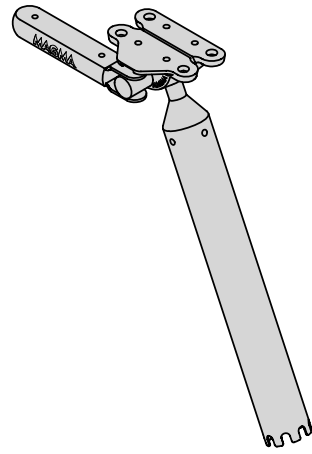
MAGMA PRODUCTS, INC.

3940 PIXIE AVE. • LAKEWOOD, CA 90712

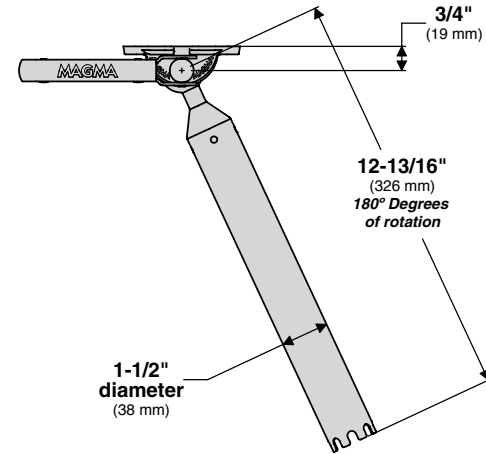
TEL (562) 627-0500 • FAX (562) 627-0550

www.MagmaProducts.com

email: Mail@MagmaProducts.com

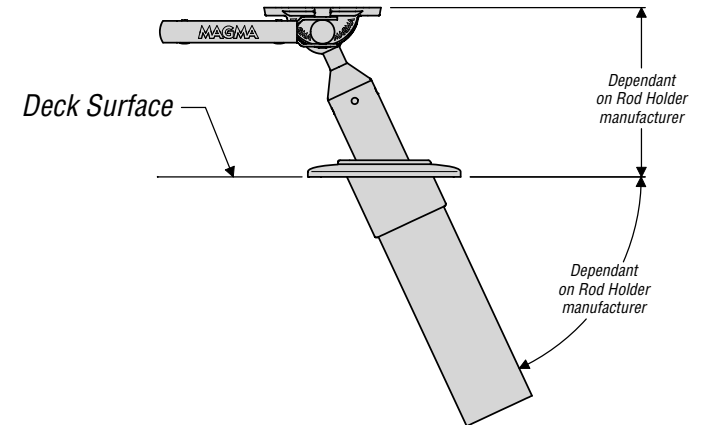
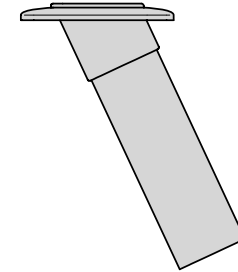


Rod Holder is
not included



1-1/2"
diameter
(38 mm)

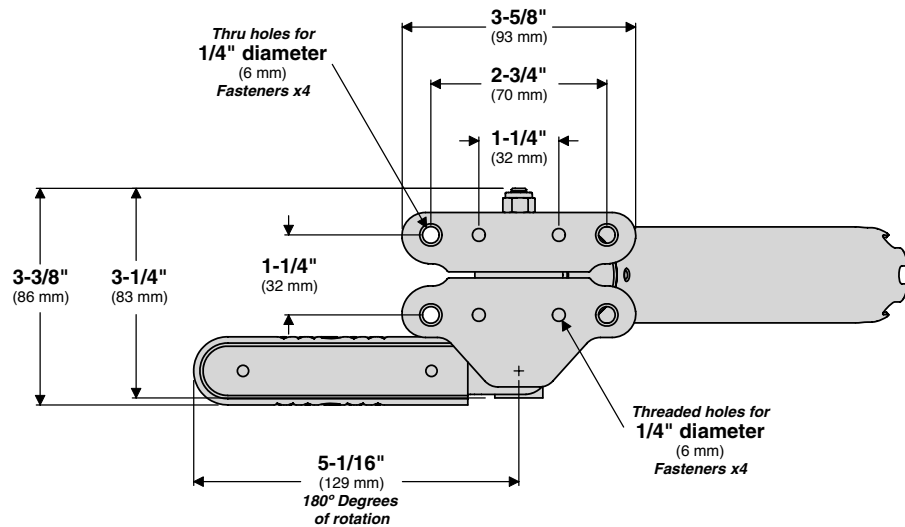
12-13/16"
(326 mm)
180° Degrees
of rotation



Deck Surface

Dependant
on Rod Holder
manufacturer

Dependant
on Rod Holder
manufacturer



Thru holes for
1/4" diameter
(6 mm)
Fasteners x4

3-5/8"
(93 mm)

2-3/4"
(70 mm)

1-1/4"
(32 mm)

3-3/8"
(86 mm)

3-1/4"
(83 mm)

1-1/4"
(32 mm)

Threaded holes for
1/4" diameter
(6 mm)
Fasteners x4

5-1/16"
(129 mm)
180° Degrees
of rotation