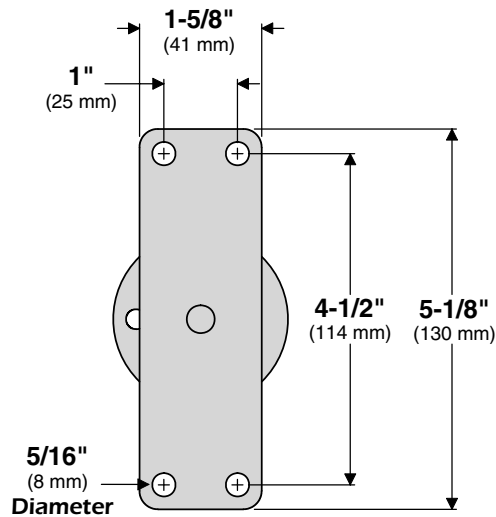
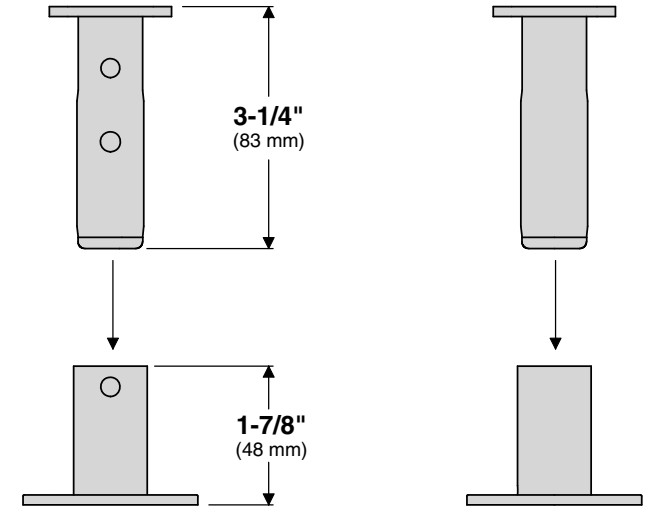
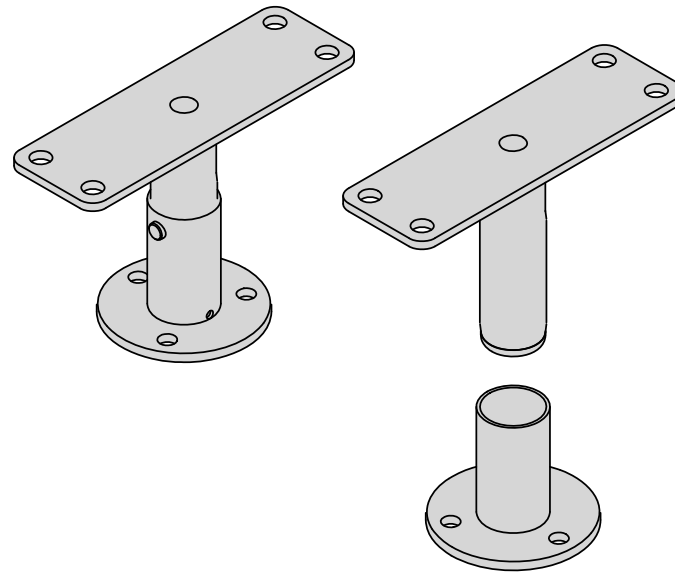


# T10-521 "Dual" Locking Surface Deck Socket Mount

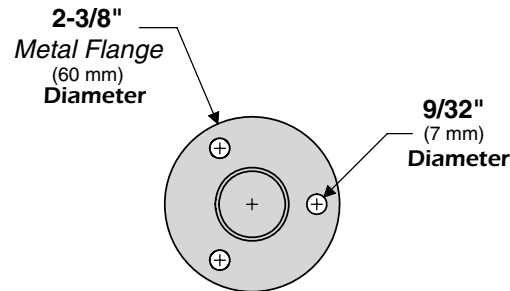
Mount Weight 1.51 lb.  
(0.69 kg)



**MAGMA PRODUCTS, INC.**  
3940 PIXIE AVE. • LAKEWOOD, CA 90712  
TEL (562) 627-0500 • FAX (562) 627-0550  
www.MagmaProducts.com  
email: Mail@MagmaProducts.com

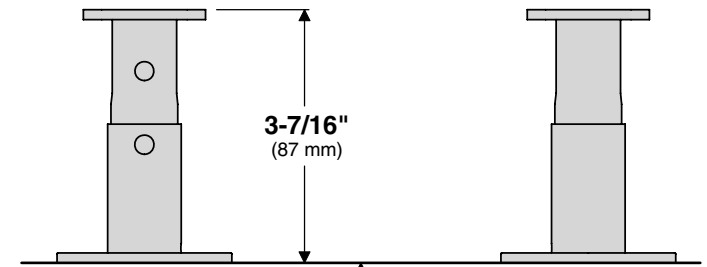


**TOP  
VIEW**



**SOCKET  
TOP VIEW**

**INSTALLED**



**DECK SURFACE**