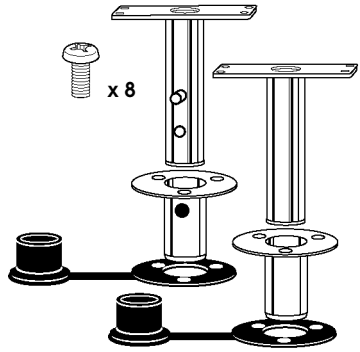


## Use with Dual Mount "DM" Tables or Gourmet Series Grills Heavy Duty



**Tools required**  
Outils nécessaires  
Notwendige Werkzeuge  
Strumenti necessari  
Herramientas requeridas

$\phi = 1/8"$  (28.5mm)

**Fasteners required**  
Ecrans requis  
Notwendige Befestiger  
Chiavi inglesi necessarie  
Sujetadores necesarios

x 6   x 6   x 6  
x 6  
 $1/4"$  (6mm)

Two attractive mirror polished 18-8 stainless steel flush deck socket sets, features a push button lock pin and includes a flange gasket with integral flip-up water seal cap. These sockets mount flush for an uncluttered deck. Some fasteners required for installation.

**F** KIT POUR MONTURE DE DOUILLE AU PLANCHER ENCASTREE POUR TABLE A MONTAGE DOUBLE (DM)  
Cette monture en acier inoxydable 18-8 poli permet de fixer une table Dual-Mount à n'importe quelle surface. L'ensemble comprend la monture, des capuchons étanches, des supports de table (vis incluses) et un dispositif de réglage de la hauteur de la table.

**D** BAUSATZ FÜR HALTERUNG FÜR VERSENKTE DECKHÜLSE FÜR TRANCHIERTISCH DOPPELHALTERUNG (DM)  
Bausatz für versenkte Deckhülse aus hochpoliertemrostfreiem 18-8 Stahl. Befestigt Tische mit Doppelhalterung an jegliche Oberfläche. Einschliesslich Deckhülse, wasserdichte Kappen, Tischpfosten mit Schrauben und Satz von Unterlagsscheiben zur Nivellierung.

**I** ATTREZZARI PER MONTATURA TUBO/SOCKET INTERNA PER TAVOLI SU DOPPIA MONTATURA (DM)  
Supporto ad innesto in acciaio inossidabile 18-8 lustrato a specchio permette di attaccare un tavolo a montaggio doppio ad una superficie qualsiasi. Sono inclusi innesti, tappi a tenuta stagna, sostegni per il tavolo con viti e una serie di spessori per variare la posizione del piano del tavolo ed assicurare che sia a livello.

**E** MONTAJE DE CUBIERTA PARA MESA MONTAJE DOBLE (DM)  
Un juego de tubos para montaje a nivel de acero inoxidable 18-8 pulido a espejo acopla una mesa de Doble-Montaje a cualquier superficie. Incluye tubos, tapas impermeables, tablas montantes con tornillos y juego de arandelas para ajustes de nivel.

**1** Position the mounting tubes on the deck surface.

**2** Measure and mark the deck for the mounting holes.  
• T10-503 / 504 = 18" (45.7 cm)  
• T10-505 = 28" (71 cm)

**3** Drill the mounting holes into the deck.

**4** Insert the mounting tubes into the deck holes.

**5** Check fit  
• Vérifier que la table s'emboîte bien dans son support  
• Tisch auf Passen prüfen  
• Controllare che il tavolo sia delle dimensioni giuste  
• Revisar el acople de la mesa

**6** Align trigger catch to match trigger mechanism

**7** Attach the trigger mechanism to the mounting tubes.

**8** Tighten the mounting tubes into the deck.

**9** Attach the flange gasket and water seal cap to the mounting tubes.

**10** Attach the push button lock pin to the mounting tubes.

**11** Final assembly showing the mounting tubes secured to the deck.

**Water tight option**  
• Option d'imperméabilité  
• Wasserdichte Option  
• Opzione impermeabilizzata  
• Opción de impermeabilizar al agua

**NOTE: Instructions and fasteners for mounting to Gourmet Series Grills are included with the grill.**