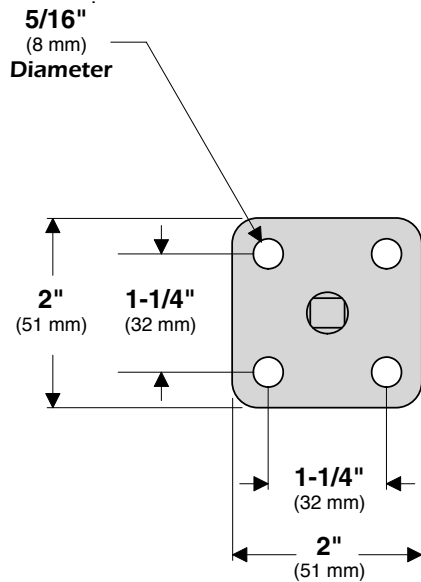
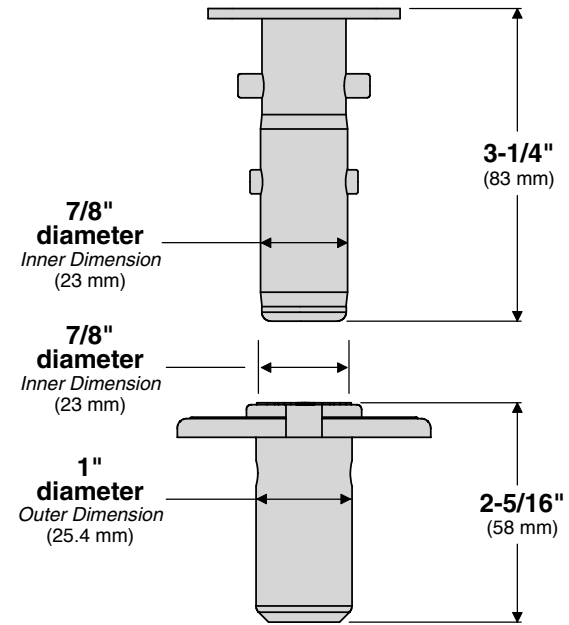
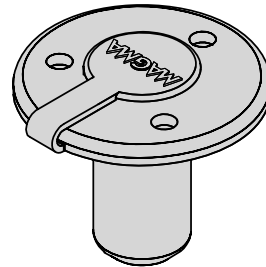
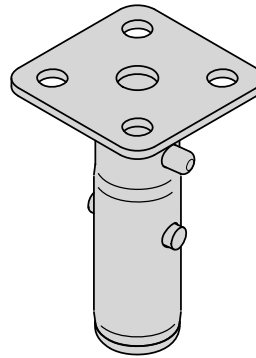


T10-326 "Single" Locking Flush Deck Socket Mount

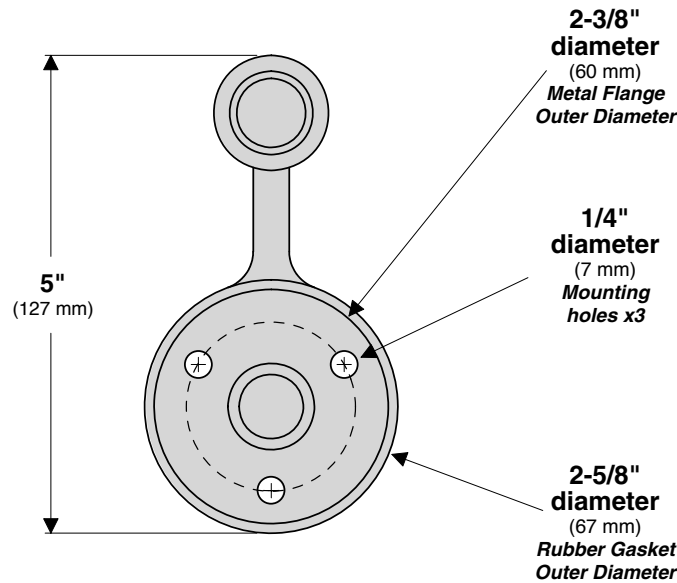
Mount Weight 0.70 lb.
(0.32 kg)



MAGMA PRODUCTS, INC.
3940 PIXIE AVE. • LAKEWOOD, CA 90712
TEL (562) 627-0500 • FAX (562) 627-0550
www.MagmaProducts.com
email: Mail@MagmaProducts.com



**TOP
VIEW**



**SOCKET TOP
VIEW**

