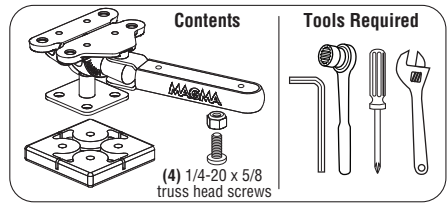


"LEVELOCK" ALL-ANGLE ADJUSTABLE PEDESTAL ACCESSORY

(Pedestal Mount not included)

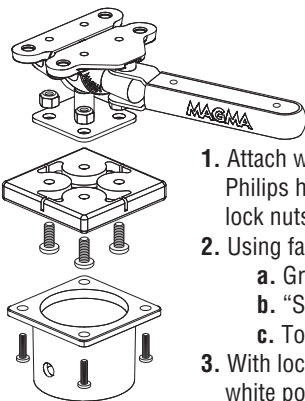
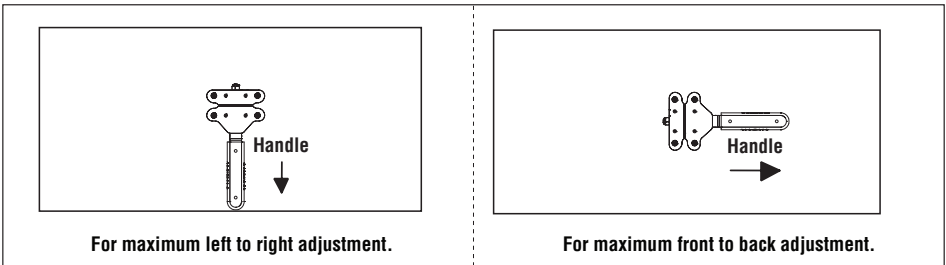
Adds full leveling adjustability to Magma pedestal mount. Use with Magma rectangular grills & single mount tables



This all-angle adjustable mount accessory conveniently attaches Magma's T10-185, pedestal, mount to any Magma rectangular grill, "SM" single mount bait/filet table, or Tournament Series cleaning station. The quick release cam design allows all-angle leveling adjustment for applications where the pedestal cannot be mounted on a completely horizontal surface. Constructed of 18-8 stainless steel and 356 hard anodized aluminum for superior corrosion resistance in the harsh marine environment.

Note: Instructions and mounting fasteners for rectangular grills, "SM" single mount bait/filet tables, and Tournament Series Cleaning stations are included with grills and tables

Choose the option that best suits you.



1. Attach white poly pad to bottom of mounting plate using a 7/16" wrench, Phillips head screwdriver, 1/4-20 x 5/8" truss head screws, flat washers, and lock nuts
2. Using fasteners supplied with grill or table, attach LevelLock mount head
 - a. Grills: 7/16" socket wrench
 - b. "SM" tables: 5/32 hex wrench
 - c. Tournament series: Phillips head screwdriver
3. With lock button hole facing front of grill or table attach black pedestal cap to white poly pad using 1/4-20 x 1/4" pan head screws provided with pedestal
4. Attach and lock assembly on to pedestal post, level grill or table accordingly, and secure