



# MARCH PUMPS

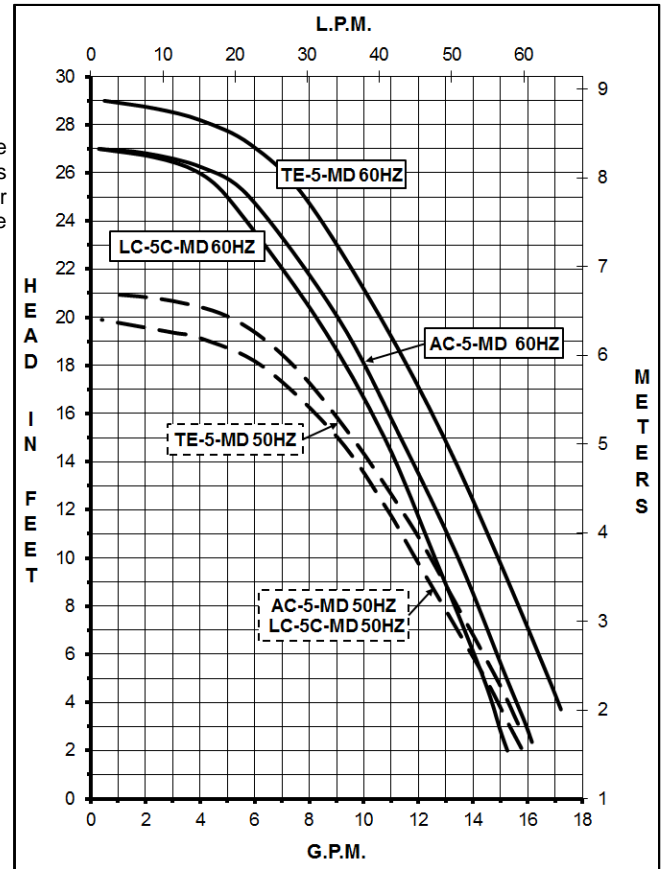
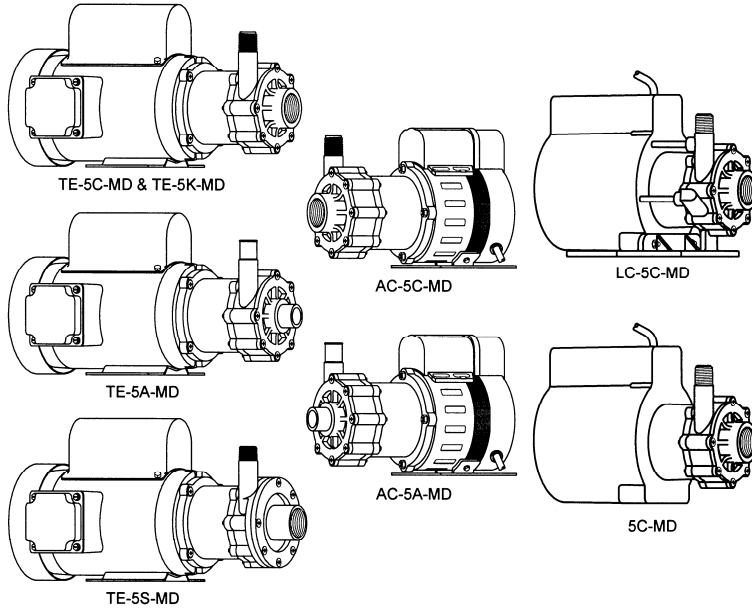
1819 PICKWICK AVE., GLENVIEW, IL 60026-1306, U.S.A  
 PHONE: (847) 729-5300 - FAX: (847) 729-7062  
 WWW.MARCHPUMP.COM

**AC-5C-MD, TE-5C-MD**  
**AC-5A-MD, TE-5A-MD**  
**TE-5K-MD, TE-5S-MD**  
**5C-MD, LC-5C-MD**

## MODEL ABBREVIATIONS:

TE: Totally Enclosed Fan Cooled Motor, AC: Air Cooled Motor, LC: Liquid Cooled  
 5C/5K/5S: Threaded Inlet/Outlet, 5A: Smooth Inlet/Outlet  
 S: Stainless, K: Kynar, C/A = Polypropylene, MD: Magnetic Drive

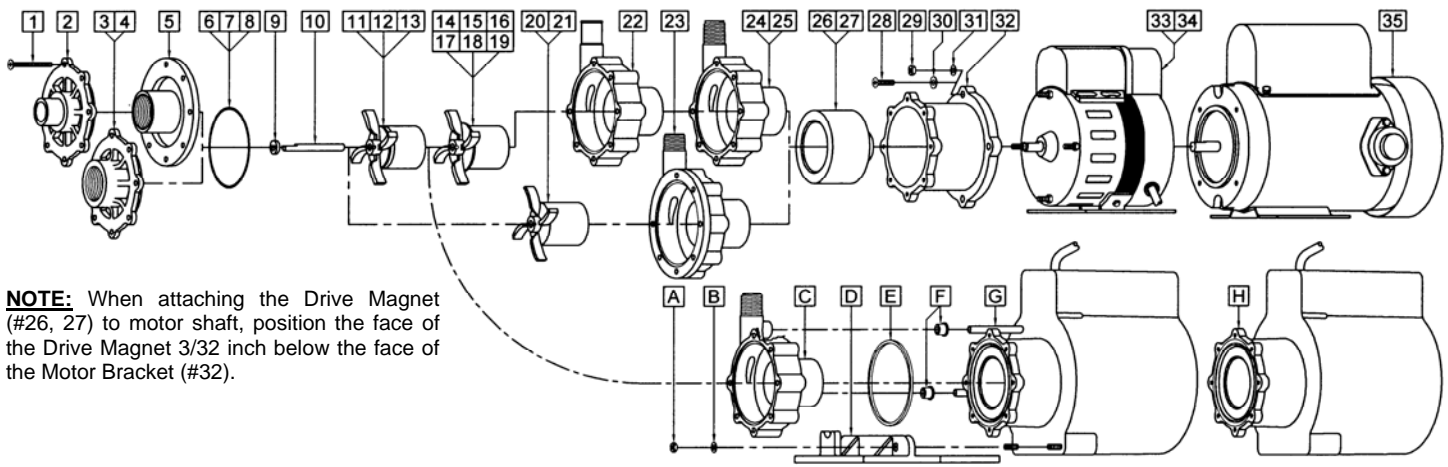
**DESCRIPTION:** Series 5 are centrifugal magnetic drive pumps, eliminating the need for a shaft seal. All are serviceable with a screwdriver. The "LC" model is hermetically encapsulated allowing the pump to run fully submerged or in open air for complete moisture protection. Model 5C-MD must be run submerged only. See the repair parts list for a breakdown of replacement parts.



**OPERATION:** Pumps are not self-priming, lack a suction lift, and thus require a **flooded suction**. These pumps **cannot be run dry** because the impeller requires the liquid being pumped for lubrication. For liquids with a specific gravity greater than water, have a higher viscosity, or for elevated temperatures, a trimmed impeller may be necessary. For application assistance, contact March Pump.

**ELECTRICAL:** Models come in different electrical configurations such as 115V 50/60Hz, & 230V 50/60Hz, 1 phase. TE-5-MD pumps are dual voltage 115/230V 50/60Hz, 1 phase, TEFC. The motors are U.L. listed and rated as continuous duty. Explosion proof & special voltage motors are available for TE-5-MD upon special order.

SPECIFICATIONS			AC-5C-MD	AC-5A-MD	TE-5C-MD	TE-5A-MD	TE-5K-MD	TE-5S-MD	5C-MD	LC-5C-MD
Max Flow	50Hz	lpm	60		60.5			54.8		
	60Hz	gpm	17		18			14.5		
Max Head	50Hz	m	6		6.3			6		
	60Hz	ft (psi)	27 (11.7)		29 (12.5)			27 (11.7)		
Inlet			1" FPT	1" OD	1" FPT	1" OD	1" FPT	1" FPT		
Outlet			1/2" MPT	3/4" OD	1/2" MPT	3/4" OD	1/2" MPT	1/2" MPT		
Max Internal Pressure	psi		50		50		75	200	50	
	bar		3.4		3.4		5.0	13	3.4	
Max Liquid Temperature	°F		190		190		200	250	130	
	°C		87		87		93	121	54	
Packed Weight		kg/lbs	4.3/9.5		7/15.5			8/18	8/18	
Motor Type			Air Cooled 1 Phase			TEFC 1 Phase			SUB 1 Phase/TE/SUB 1 Ph	
110V	50Hz	Watts - Amps	214 - 2.1			177 - 2.2			147 - 1.2	
		Kw - Rpm	0.093 - 2850			0.149 - 2850			0.093 - 2850	
	60Hz	Watts - Amps	234 - 2.1			255 - 2.1			216 - 1.6	
		Hp - Rpm	1/8 - 3450			1/8 - 3450			1/8 - 3450	
Electrical Connection			3 ft (0.9 m) Cord			Conduit Box			6 ft (1.8 m) Cord w/plug	
Motor Type			Air Cooled 1 Phase			TEFC 1 Phase			SUB 1 Phase/TE/SUB 1 Ph	
220V	50Hz	Watts - Amps	223 - 1			177 - 1.1			145 - 0.5	
		Kw - Rpm	0.093 - 2850			0.149 - 2850			0.093 - 2850	
	60Hz	Watts - Amps	250 - 1			255 - 1.05			207 - 0.9	
		Hp - Rpm	1/8 - 3450			1/8 - 3450			1/8 - 3450	
Electrical Connection			3 ft (0.9 m) Cord			Conduit Box			6 ft (1.8 m) Cord	
Overall Pump Dimensions in Inches / cm	Height		6.19 / 15.7		7.19 / 18.2			6.90 / 17.5	7.14 / 18.1	
	Width		4.52 / 11.4		8.02 / 20.3			5.56 / 14.1	5.63 / 14.3	
	Length		9.27 / 23.5	9.83 / 24.9	13 / 33.0	13.56 / 34.4	13 / 33.0	13.31 / 33.8	9.85 / 25.0	



**NOTE:** When attaching the Drive Magnet (#26, 27) to motor shaft, position the face of the Drive Magnet 3/32 inch below the face of the Motor Bracket (#32).

**NOTES:** All specifications & data are based on pumping water & are intended as a guideline only. Specifications may vary with different motors.

**LIMITED WARRANTY:** March pumps are guaranteed only against defects in workmanship or materials for a period of one year from date of manufacture pumping water. For the complete warranty and to register online go to [www.marchpump.com/warranty-registration](http://www.marchpump.com/warranty-registration)

**MATERIALS IN CONTACT WITH SOLUTION:**

TE-5C-MD & TE-5A-MD: Polypropylene, Viton, Ceramic  
 TE-5K-MD: Kynar/Carbon Filled, Viton, Ceramic  
 TE-5S-MD: 316 Stainless Steel, Viton, Ceramic, Carbon  
 AC-5C-MD & AC-5A-MD: Polypropylene, Ceramic, Buna-N & Ceramic Magnet.  
 5C-MD: Polypropylene, Buna N, Ceramic, Ceramic Magnet., Noryl, Stainless, Epoxy & Cord.  
 LC-5C-MD wet end: Polypropylene, Buna N, Ceramic, Ceramic Magnet & Stainless.

**REPAIR PARTS LIST**

#	DESCRIPTION	MATERIAL	SIZE (Inches)	QTY	PART #	TE-5C-MD	TE-5A-MD	TE-5K-MD	TE-5S-MD	AC-5C-MD	AC-5A-MD	5C-MD	LC-5C-MD
1	Screw	Stainless	#8-32 x 1-3/4 Lg	7	0150-0021-1000	S	S	S	S	S	S	S	S
2	Cover	Polypropylene	1 OD Inlet	1	0150-0150-1000	O	S			O	S		
3	Cover	Polypropylene	1 FPT Inlet	1	0150-0032-1000	S	O			S	O	S	S
4	Cover	Kynar	1 FPT Inlet	1	0150-0124-1000			S					
5	Cover	316 Stainless	1 FPT Inlet	1	0150-0111-0000				S				
6	"O" Ring	Viton	1/16 CS x 3 OD	1	0135-0023-1000	S	S	S	S	O	O		
7	"O" Ring	Viton/Teflon	0.070 CS x 3-1/8 OD	1	0150-0171-1000	O	O	O	O	O	O		
8	"O" Ring	Buna N	1/16 CS x 3 OD	1	0135-0007-1000	O	O	O	O	S	S	S	S
9	Thrust Washer	Ceramic		1	0130-0028-1000	S	S	S	S	S	S	S	S
10	Shaft	Ceramic		1	0130-0024-1000	S	S	S	S	S	S	S	S
11	Impeller With Ceramic Magnet	Polypropylene		1	0150-0030-0100					S	S	S	S
12		Polypropylene w/Carbon Bushing		1	0150-0030-0700					O	O		
13		Polypropylene w/Mica Teflon Bushing		1	0150-0030-0800					O	O		
14	Encapsulated Impeller	Polypropylene		1	0150-0098-0200	S	S		O				
15		Polypropylene w/Carbon Bushing		1	0150-0098-0300	O	O		O				
16		Polypropylene w/Mica Teflon Bushing		1	0150-0098-0500	O	O		O				
17	Encapsulated Impeller	Kynar		1	0150-0125-0200			S	O				
18		Kynar w/Carbon Bushing		1	0150-0125-0300			O	O				
19		Kynar w/Mica Teflon Bushing		1	0150-0125-0500			O	O				
20	Encapsulated Impeller	316 Stainless w/Carbon Bushing		1	0150-0114-0400				S				
21		316 Stainless w/Mica Teflon Bushing		1	0150-0114-0600				O				
A	Nut	Stainless	#10-32	2	0802-0008-1000								S
B	Lock Washer	Stainless	#10	2	0802-0006-1000								S
D	Mounting Base	Noryl		1	0150-0155-1000								S
E	Bracket "O" Ring	Buna N	Quad Ring	1	0150-0020-1000							S	S
F	Cooling Tube Seal	Buna N		2	0125-0007-1000								S
23	Rear Housing	316 Stainless	1/2 MPT	1	0150-0110-0000				S				
C	Rear Housing w/Ceramic	Polypro. & Plug	1/2 MPT	1	0150-0153-0200								S
22		Polypropylene	3/4 OD Outlet	1	0150-0159-0100	O	S			O	S		
24	Thrust Washer	Polypropylene	1/2 MPT	1	0150-0031-0100	S	O			S	O	S	
25		Kynar	1/2 MPT	1	0150-0123-0100			S					
26	Drive Magnet			1	0150-0176-0300	S	S	S	S				
27	Drive Magnet			1	0150-0081-0100					S	S		
28	Screw	Stainless	#10-32 x 3/4 Lg	4	0150-0050-1000	S	S	S	S				
29	Nut (Hex)	Stainless	#10-32	4	0625-0024-1000					S	S		
30	Washer	Stainless	#10	4	0150-0051-1000	S	S	S	S				
31	Washer	Stainless	#10	4	0802-0006-1000					S	S		
32	Motor Bracket	Plastic		1	0150-0070-0100	S	S	S	S	S	S		
G	L.C. Epoxy Motor, Bracket, Cord Assembly			n/a	Not Available								S
H	Epoxy Motor, Bracket, Cord Assembly			n/a	Not Available							S	
33	Motor, 115V, 50/60Hz			1	0150-0027-1000					S	S		
34	Motor, 230V, 50/60Hz			1	0150-0040-1000					S	S		
35	Motor, TEFC, 115/230V, 50/60Hz			1	0150-0090-1000	S	S	S	S				

NOTE: Contact Factory for other materials and/or parts not listed.

Legend: S = Standard, O = Optional

0150-0060-1000 R20