

NBE100 *Network Bus Extender*

Maretron's NBE100 (Network Bus Extender) allows you to extend the maximum node count, network trunk length and cumulative device's drop lengths of any NMEA 2000® network. The NBE100 solves bus errors and other electrical issues caused by exceeding any of these limitations and makes design of large networks easier.

NMEA 2000® networks have a maximum of 50 nodes allowed on a single network, a maximum network trunk length of 200m and a maximum cumulative device's drop lengths of 78m.

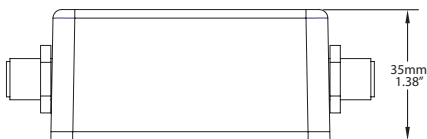
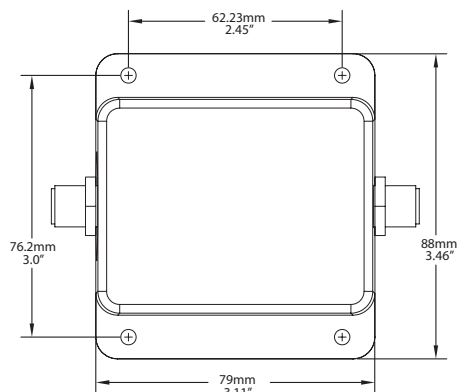
If you have a network that exceeds any of these specifications, you can simply extend the network trunk by inserting the NBE100, along with additional termination resistors. This will split the network into multiple electrical segments, each of which can have up to 50 nodes, these segments allow increase of nodes on the logical network. The NBE100 will transparently route NMEA 2000® messages between the multiple network segments, making them work as a single logical NMEA 2000® network. Advanced priority-based message routing ensures that higher-priority messages are always prioritized over lower-priority messages, enabling predictable and reliable network operation.



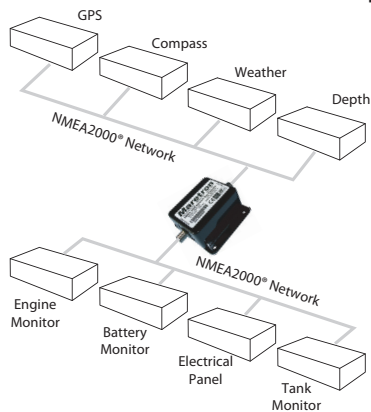
- Segments a single large NMEA 2000® network into smaller multiple electrical segments.
- Allows you to exceed the 50 node limitation on a NMEA 2000® network.
- Allows you to exceed the 200m trunk length limitation on a NMEA 2000® network.
- Allows you to exceed the 78m cumulative device's drop lengths limitation on a NMEA 2000® networks.
- Allows all NMEA 2000® devices to operate as if they were still on a single NMEA 2000® network.
- Priority-based message routing ensures higher-priority messages get through the bus extender first.
- Optically isolates network segments, increasing signal integrity and network reliability.

Products

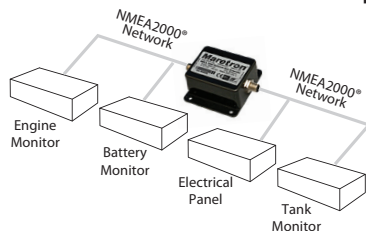
PART NUMBER	DESCRIPTION
NBE100-01	NMEA 2000® Network Bus Extender



Network Extension Side-to-Side Example



Network Extension End-to-End Example



Certifications

Parameter	Comment
NMEA 2000® Standard	Level A+
Maritime Navigation and Radiocommunication Equipment & Systems	IEC 61162-3
Maritime Navigation and Radiocommunication Equipment & Systems	IEC 60945
FCC and CE Mark	Electromagnetic Compatibility

NMEA 2000® Parameter Group Numbers (PGNs)

Description	PGN #	PGN Name	Default Rate
Response to Requested PGNs	126464	PGN List (Transmit and Receive)	N/A
	126996	Product Information	N/A
	126998	Configuration Information	N/A
Protocol PGNs	059392	ISO Acknowledge	N/A
	059904	ISO Request	N/A
	060928	ISO Address Claim	N/A
	065240	ISO Address Command	N/A
	126208	NMEA Request/Command/Acknowledge	N/A
Maretron Proprietary PGNs	126720	Configuration	N/A

Electrical

Parameter	Value	Comment
Operating Voltage	9 to 16 Volts	DC Voltage
Power Consumption	<150mA	Average Current Drain
Load Equivalence Number (LEN)	3	NMEA 2000® Spec. (1LEN = 50 mA)
Reverse Battery Protection	Yes	Indefinitely
Load Dump Protection	Yes	Energy Rated per SAE J1113

Mechanical

Parameter	Value	Comment
Size	3.11" x 3.46" x 1.38" (79mm x 88mm x 35mm)	Including Flanges for Mounting
Weight	8 oz. (227 g)	

Environmental

Parameter	Value
IEC 60945 Classification	Exposed
Degree of Protection	IP67
Operating Temperature	-25°C to 55°C
Storage Temperature	-40°C to 70°C
Relative Humidity	93%RH @40° per IEC60945-8.2
Vibration	2-13.2Hz @ ±1mm, 13.2-100Hz @ 7m/s2 per IEC 60945-8.7
Rain and Spray	12.5mm Nozzle @ 100liters/min from 3m for 30min per IEC 60945-8.8
Solar Radiation	Ultraviolet B, A, Visible, and Infrared per IEC 60945-8.10
Corrosion (Salt Mist)	4 times 7days @ 40°C, 95%RH after 2 hour Salt Spray Per IEC 60945-8.12
Electromagnetic Emission	Conducted and Radiated Emission per IEC 60945-9
Electromagnetic Immunity	Conducted, Radiated, Supply, and ESD per IEC 60945-10
Safety Precautions	Dangerous Voltage, Electromagnetic Radio Frequency per IEC 60945-12



Copyright 2011 Maretron, LLP. All rights reserved. As Maretron is constantly improving its products, all specifications are subject to change without notice. Maretron's products are designed to be accurate and reliable; however, they should be used only as aids to navigation and vessel monitoring, and not as a replacement for traditional navigation and vessel monitoring techniques. A prudent captain or navigator never relies on a single source for navigation or system monitoring information. "NMEA 2000" is a registered trademark of the National Marine Electronics Association.