

Nylon to Metal Connector Cable



Some products use inexpensive nylon connectors and when connected with metal connectors, the nylon threads can be damaged. This cable eliminates the problem by allowing nylon to nylon connections and metal to metal connections.

- NMEA 2000® Approved
- Waterproof rated to IP67

Micro 90° Male to Female Connector



A 90 degree male to female connector for Micro or Mid size cable runs or connections which is intended to aid turning tight radiuses without unduly straining the wires within a cable. Ideal when mounting a device in a location with shallow depth possibilities.

- NMEA 2000® Approved
- Waterproof rated to IP67

Mid Single-Ended Cordset Female to Open Pigtail (25 Meter Blue)

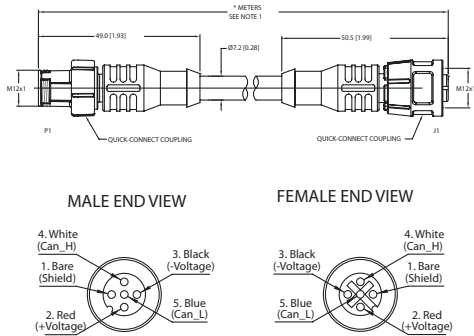


This 25 meter length Mid size cable with a Micro female connector on one end is intended for installation of devices such as Maretron's WSO100 Weather Station. The female connector should point towards the device and a field attachable male connector should be made onto the end connecting to the rest of the backbone.

- NMEA 2000® Approved
- Meets ABYC Power Pair size requirements
- Waterproof rated to IP67

Copyright 2012 Maretron, LLP. All rights reserved. As Maretron is constantly improving its products, all specifications are subject to change without notice. Maretron's products are designed to be accurate and reliable; however, they should be used only as aids to navigation and vessel monitoring, and not as a replacement for traditional navigation and vessel monitoring techniques. A prudent captain or navigator never relies on a single source for navigation or system monitoring information. "NMEA 2000" is a registered trademark of the National Marine Electronics Association.

Nylon to Metal Connector Cable



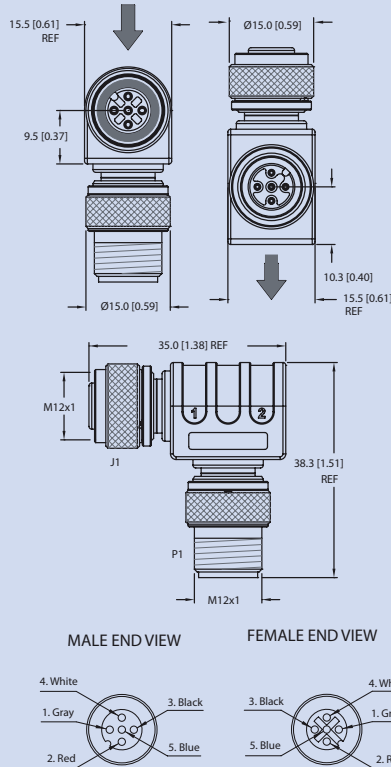
Specifications

MECHANICAL	
Molded Head Mat/Color:	Thermoplastic PUR/Blue-Gray
Contact Carrier Mat/Color:	Thermoplastic PUR/Black
Contact Mat/Plating:	Brass/Gold
Snap-Lock Mat/Color:	POM/Black
ELECTRICAL	
Rated Current:	4.0 Amps
Rated Voltage:	250 V
CABLE	
Outer Jacket Mat/Color:	PVC/Gray
Conductor Insulation Mat:	HDPE (Data), SRPVC (Power Pair)
Number of Conductors:	4X22 (0.65mm) AWG, 22 (0.65mm) AWG Drain Wire
Shielding (3-Levels):	Foil (Overall), Foil (Power Pair), Foil (Data Pair)
ENVIRONMENTAL	
Protection Class:	IEC IP67
Temperature Range:	-40°C to 80°C (-40°F to 176°F)
APPROVALS	
NMEA:	NMEA 2000® Approved
IEC:	IEC 61162-3

Products

PART NUMBER	DESCRIPTION
QCM-CG1-QCF-01	Nylon to Metal Connector Cable

Micro 90° Male to Female Connector



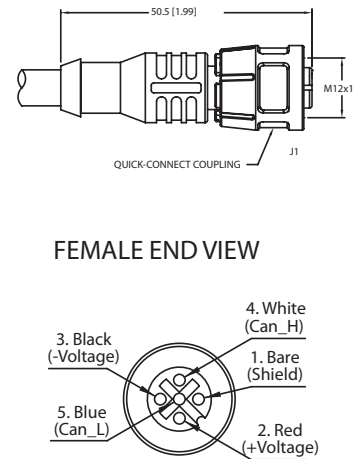
Specifications

MECHANICAL	
Molded Body Mat/Color:	Thermoplastic PUR/Gray
Contact Carrier Mat/Color:	Nylon PUR
Contact Mat/Plating:	Brass/Gold
Coupling Nut Mat/Plating:	Brass/Nickel
ELECTRICAL	
Rated Current:	4.0 Amps
Rated Voltage:	50 V
ENVIRONMENTAL	
Protection Class:	IEC IP67, NEMA 1,3,4,6P
Temperature Range:	-40°C to 105°C (-40°F to 221°F)
APPROVALS	
NMEA:	NMEA 2000® Approved
IEC:	IEC 61162-3

Products

PART NUMBER	DESCRIPTION
ELB-CM-CF	Micro 90° Male to Female Connector

Mid Single-Ended Cordset Female to Open Pigtail



Specifications

MECHANICAL	
Molded Head Mat/Color:	Thermoplastic PUR/Black
Contact Carrier Mat/Color:	Thermoplastic PUR/Blue-Gray
Contact Mat/Plating:	Brass/Gold
Snap-Lock Mat/Color:	POM/Black
ELECTRICAL	
Rated Current:	4.0 Amps
Rated Voltage:	250 V
CABLE	
Outer Jacket Mat/Color:	PVC/Gray
Conductor Insulation Mat:	HDPE (Data), SRPVC (Power Pair)
Number of Conductors:	4X22 (0.65mm) AWG, 22 (0.65mm) AWG Drain Wire
Shielding (3-Levels):	Foil (Overall), Foil (Power Pair), Foil (Data Pair)
ENVIRONMENTAL	
Protection Class:	IEC IP67
Temperature Range:	-40°C to 80°C (-40°F to 176°F)
APPROVALS	
NMEA:	NMEA 2000® Approved
IEC:	IEC 61162-3

Products

PART NUMBER	DESCRIPTION
DF-DB1-25.0	Mid Single-Ended Cordset – Female to Open Pigtail – 25 Meter (blue)