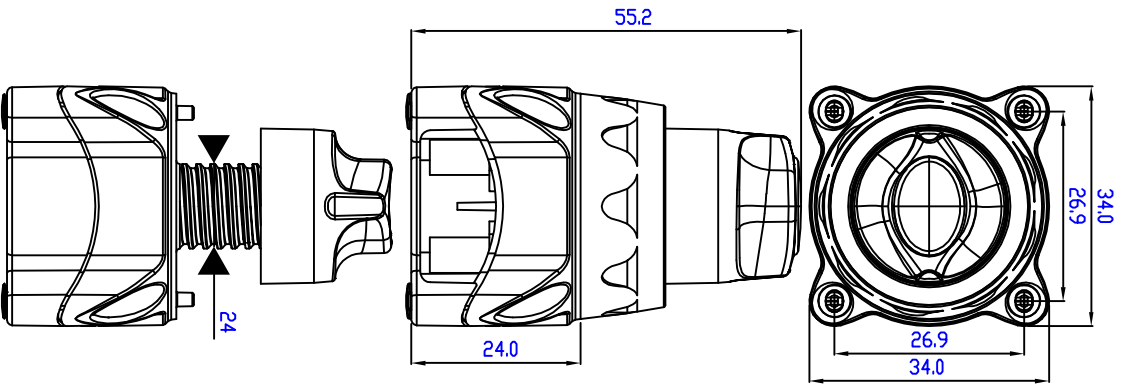
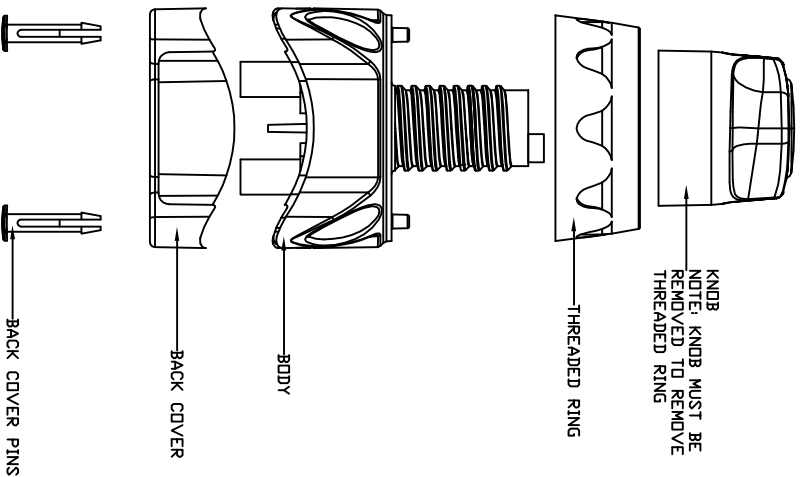


TO REMOVE KNOB  
 ROTATE THE KNOB ANTICLOCKWISE TO OFF POSITION. THE KNOB IS STILL LOCKED TO SWITCH.  
 TO REMOVE KNOB FROM SWITCH, DEPRESS AND CONTINUE TO ROTATE ANTICLOCKWISE UNTIL THE STOP IS REACHED. KNOB CAN NOW BE REMOVED.  
 THIS LOCK POSITION IS USED TO KEEP KNOB IN PLACE WHEN SWITCH IS IN THE OFF POSITION.

TO REPLACE KNOB  
 PLACE KNOB IN SWITCH HOUSING. DEPRESS AND TURN CLOCKWISE 45° TO THE OFF POSITION.

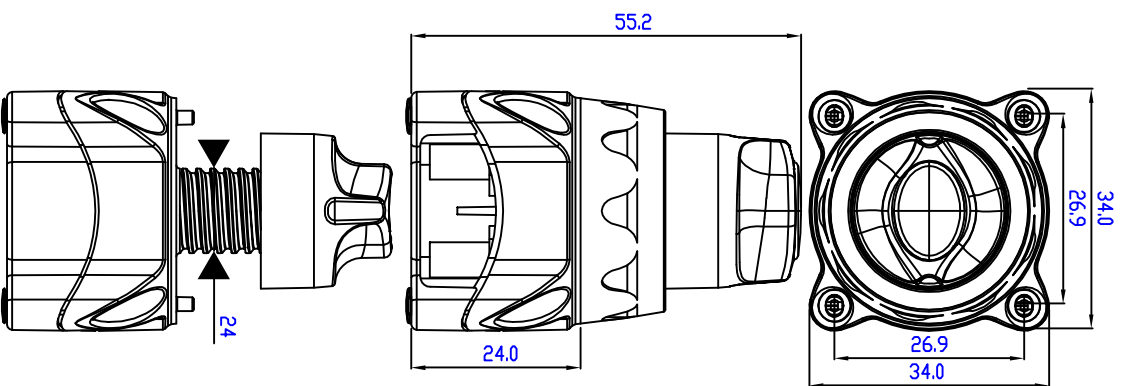


NO SOLVENTS OR SEALERS ARE TO BE USED ON THE BATTERY SWITCH. A PETROLEUM BASED GREASE CAN BE USED ON THE LUG-STUD JOINT.

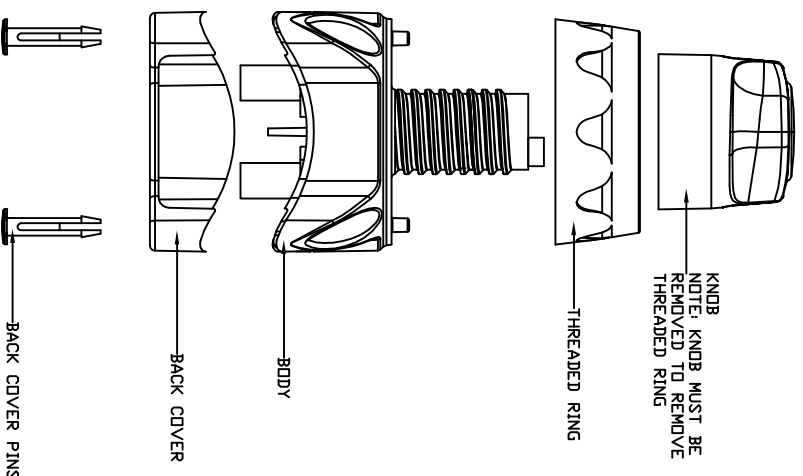


TO REMOVE KNOB  
 ROTATE THE KNOB ANTICLOCKWISE TO OFF POSITION. THE KNOB IS STILL LOCKED TO SWITCH.  
 TO REMOVE KNOB FROM SWITCH, DEPRESS AND CONTINUE TO ROTATE ANTICLOCKWISE UNTIL THE STOP IS REACHED. KNOB CAN NOW BE REMOVED.  
 THIS LOCK POSITION IS USED TO KEEP KNOB IN PLACE WHEN SWITCH IS IN THE OFF POSITION.

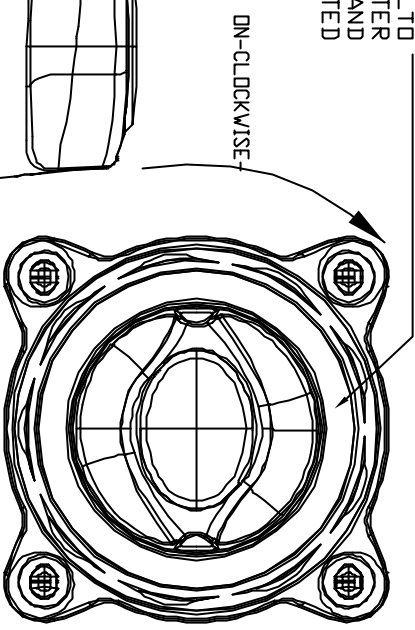
TO REPLACE KNOB  
 PLACE KNOB IN SWITCH HOUSING. DEPRESS AND TURN CLOCKWISE 45° TO THE OFF POSITION.



NO SOLVENTS OR SEALERS ARE TO BE USED ON THE BATTERY SWITCH. A PETROLEUM BASED GREASE CAN BE USED ON THE LUG-STUD JOINT.



FIT ON/OFF LABEL TO  
THREADED RING AFTER  
RING IS TIGHTENED AND  
KNDD IS REFITTED

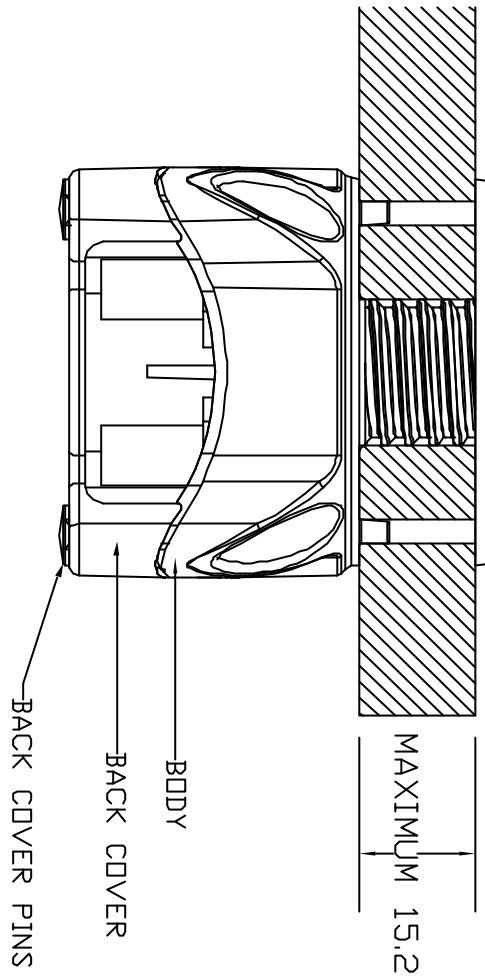


DN-CLOCKWISE

KNDB

THREADED RING

MAXIMUM 15.2

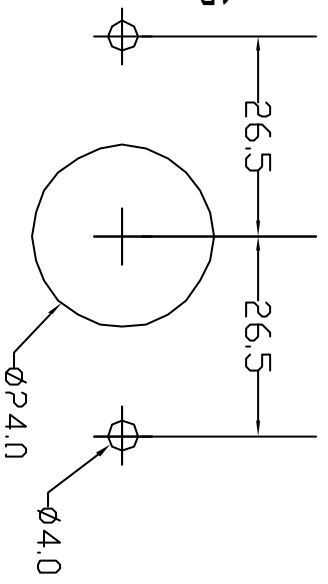


BODY

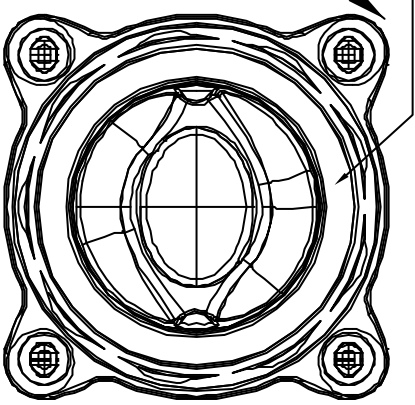
BACK COVER

BACK COVER PINS

MOUNTING  
TEMPLATE



FIT ON/OFF LABEL TO  
THREADED RING AFTER  
RING IS TIGHTENED AND  
KNDD IS REFITTED

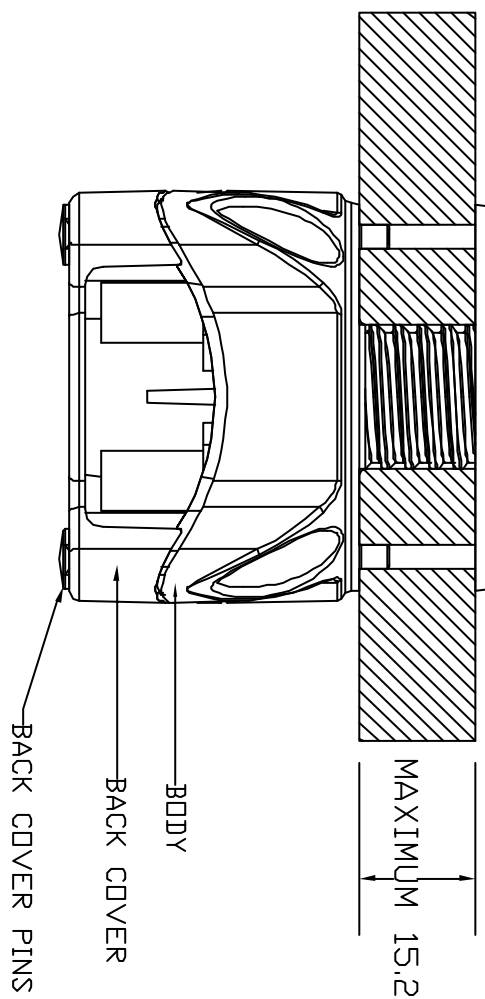


DN-CLOCKWISE

KNDB

THREADED RING

MAXIMUM 15.2



BODY

BACK COVER

BACK COVER PINS

MOUNTING  
TEMPLATE

