

product specifications for:

70A Trolling Motor Plug

Item #: 12VBPS3

Description

70A Trolling Motor Plug

Electrical Specifications

Max. Amperage: 70A (12V and 24V)

60A (36V and 48V)

Voltage: 12V, 24V, 12/24V, 36V, 24/36V, & 48V

Wire: Two or Three Wire

Mechanical Specifications

Gender: Male

Mating Part: 12VBRS3

Terminals: Double Set Screw w/ferrule

Wire Size: 8AWG and 6AWG

Material Specifications

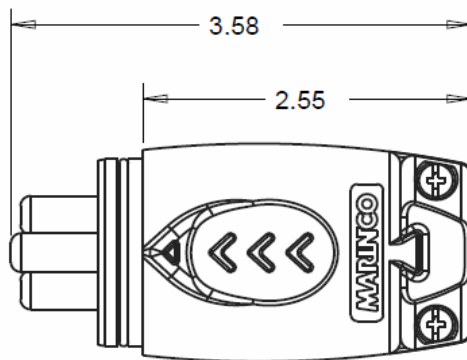
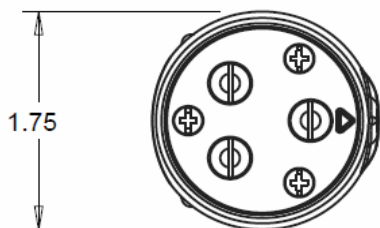
Plug Body: Nylon

Contacts: Nickel Plated Brass

Body Screws: Stainless Steel with Black Oxide Coating

Terminal Screws: Nickel Plated Steel

Weather Resistant O-Rings and Gasket



Dimensions in inches