

product specifications for:

70A Trolling Motor Receptacle

Item #: 12VBRS3

Description

70A Trolling Motor Receptacle

Electrical Specifications

Max. Amperage: 70A (12V and 24V)

60A (36V and 48V)

Voltage: 12V, 24V, 12/24V, 36V, 24/36V, & 48V

Wire: Two or Three Wire

Mechanical Specifications

Gender: Female

Mating Part: 12VBPS3

Terminals: Double Set Screw w/ferrule

Wire Size: 8AWG and 6AWG. 4AWG can be used with 4AWG Ferrules (not provided)

Mounting Hole Size: 1.75"

Mounting Thickness: 1" Max

Material Specifications

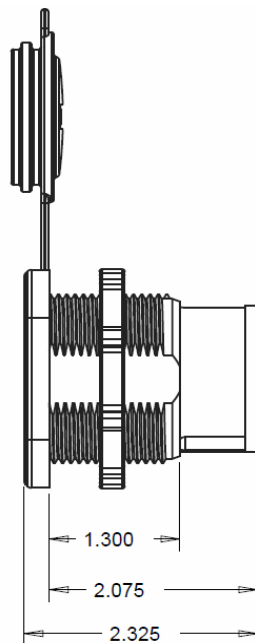
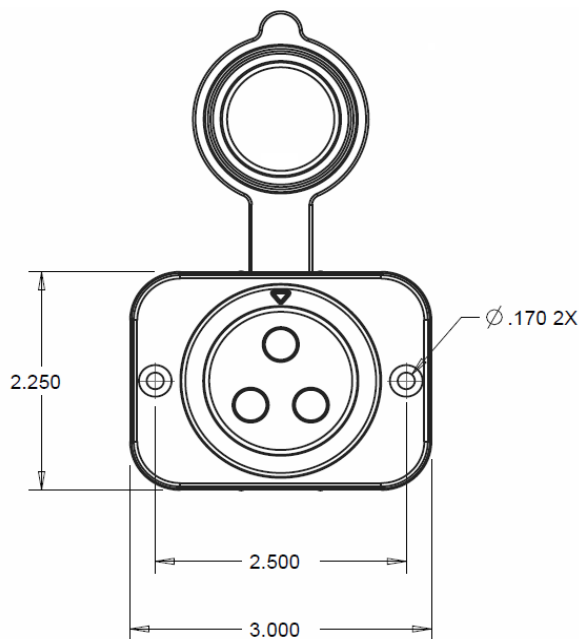
Receptacle Body: Nylon

Contacts: Nickel Plated Brass

Mounting Screws: Stainless Steel with Black Oxide Coating

Terminal Screws: Nickel Plated Steel

Weather Resistant Sealing Cap



Dimensions in inches

toll free 800.307.6702 | marinco.com

MARINCO