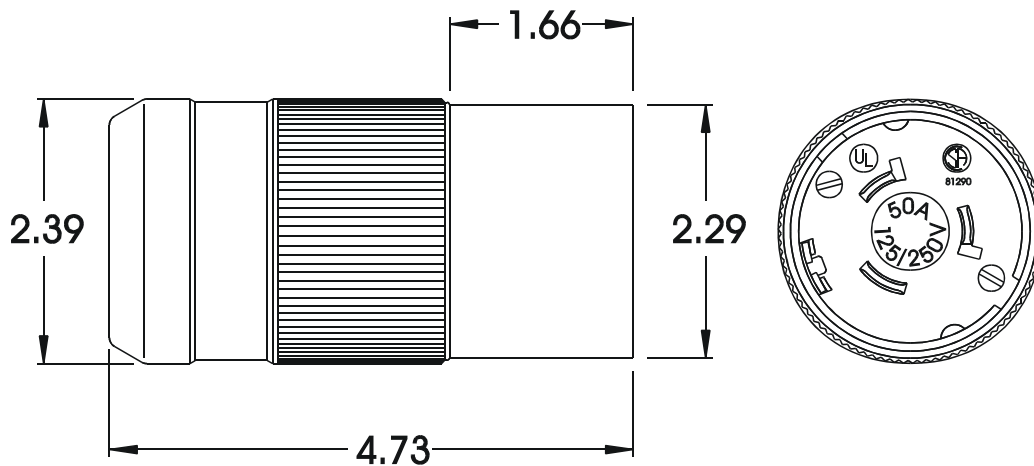


Web site: www.marinco.com
Phone: 800-307-6702
Date: February, 2013 Rev: 02

Plug, locking
50A, 125/250V
3-Pole, 4-Wire

Catalog Number: 6365CRN

Item: Plug, locking, corrosion-resistant
Rating: 50 amperes, 125/250 volts, 3-pole, 4-wire.
Configuration: NEMA SS-2
Materials: All rigid plastic parts are nylon with CTI greater than 600 volts. Current-carrying metal parts are nickel-plated brass. Assembly and cord clamp screws are stainless steel.
Color: Housing and sleeve are yellow.
Terminals: Terminals have 5/16" screws with Perma-Lock™ collar to encapture the wire strands. The terminal screw does not bear down on the wire.
Cord Clamp: Internal, self centering. Accommodates cable up to 1.2" (6/4 S).
Overall Design: Two assembly screws.
Dust seal at cord entry.
Beveled housing.
Corrosion resistant.
Operating Temp.: -40°C to +75°C (without impact).
Listings: UL listed, File E57672
CSA certified, File LR81290
Dimensions:



Dimensions shown in inches