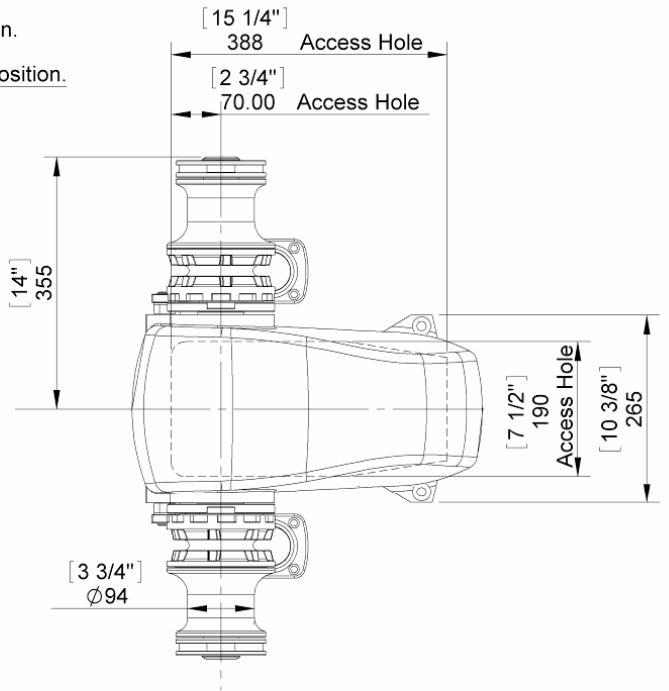
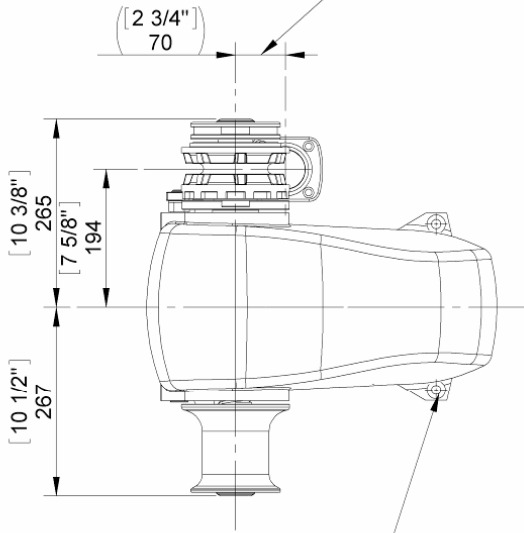
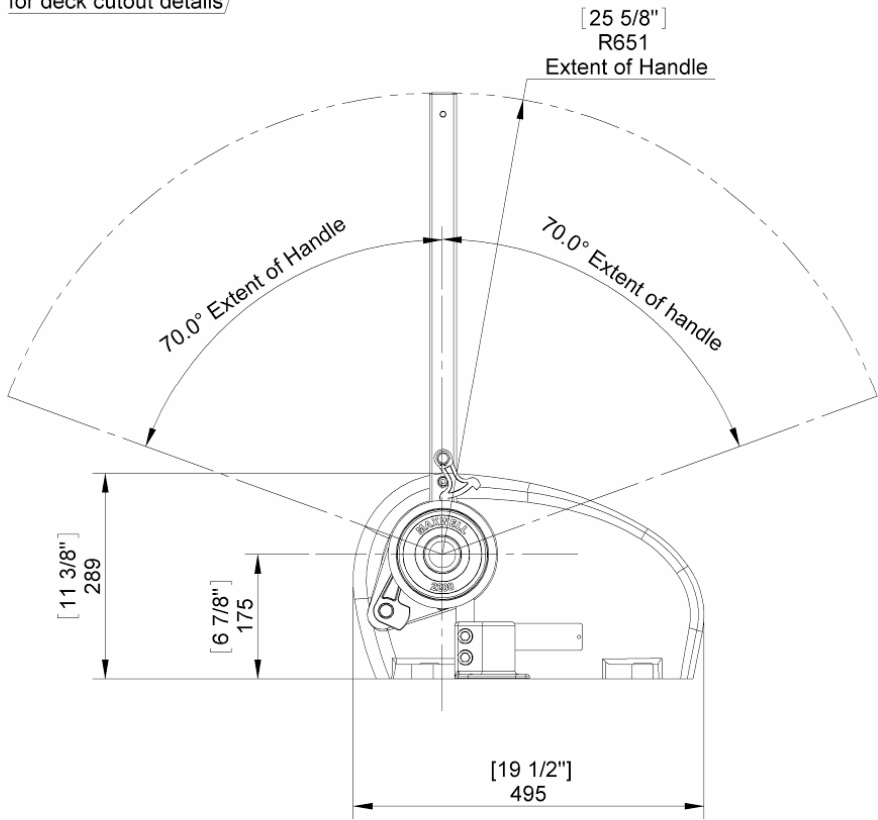


This is a reference dimension.
Please refer to drawing
P100228 for best possible position.



Refer to drawing 3337
for deck cutout details



Note:

These are all typical dimensions, depending
on which model has been purchased