



POROSITY JET TERN



KADEY KROGEN 58'

3 YEAR
Limited Warranty

MAX GRIP™



HWC3500

SPECIFICATIONS

MODEL	1500	2200	3500	HWVC3500
Maximum Pull/Lift	680kg 1500lbs	1000kg 2200lbs	1590kg 3500lbs	1590kg 3500lbs
Static Hold	1500kg 3300lbs	2200kg 4840lbs	2200kg 4840lbs	2200kg 4840lbs
Chain Short Link	6-10mm 1/4" - 3/8"	9-11mm 5/16" - 3/8"	10-13mm 3/8" - 1/2"	10-13mm 3/8" - 1/2"
Line Speed (Normal Working)	17m/min 56ft/min	17m/min 56ft/min	10m/min 33ft/min	10m/min 33ft/min
Power Supply (DC)	12 or 24V	12 or 24V	12 or 24V	12 or 24V
Motor (Power)	1200W	1200W	1200W	1200W
Net Weight - DC	24kg 52lbs	55kg 121lbs	57kg 125lbs	94.5kg 208lbs
Hydraulic Pressure	138bar 2000psi	135bar 1950psi	138bar 2000psi	138bar 2000psi
Hydraulic Flow	20 l/min 5.3 USgal/min	36 l/min 9.5 USgal/min	40 l/min 11 USgal/min	40 l/min 11 USgal/min
Net Weight - Hyd	17kg 37lbs	48.5kg 107lbs	49kg 107lbs	80kg 176lbs

DIMENSIONS

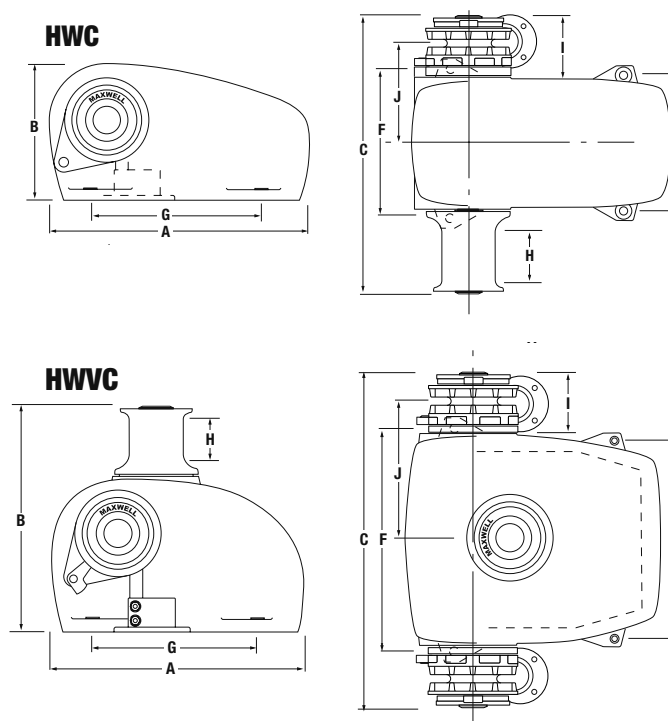
MODEL	1500	2200	3500	HWVC3500
A	390mm 15 3/8"	495mm 19 1/2"	515mm 20 9/32"	515mm 20 9/32"
B	205mm 8 1/16"	289mm 11 3/8"	316mm 12 7/16"	446mm 17 9/16"
C	382mm 15"	516mm 20 5/16"	549mm 21 5/8"	710mm 28"
D (Hole centres)	210mm 8 9/32"	234mm 9 1/4"	260mm 10 1/4"	417mm 18 7/16"
F (Hole centres)	225mm 8 7/8"	278mm 10 15/16"	308mm 12 1/8"	464mm 18 1/4"
G (Approximate hole centres)	260mm 10 1/4"	300mm 11 13/16"	348mm 13 11/16"	348mm 13 11/16"
H (Working height of drum for rope warping)	44mm 1 3/4"	60mm 2 3/8"	53mm 2 3/32"	53mm 2 3/32"
I	95mm 3 3/4"	125mm 4 15/16"	130mm 5 1/8"	130mm 5 1/8"
J	151mm 5 15/16"	194mm 7 5/8"	208mm 8 3/16"	287mm 11 19/64"

***Important:** Maxwell windlasses must be used in conjunction with a chain stopper and/or alternative snubbing device to take the load off the windlass while laying at anchor. The chain stopper and alternative snubbing system should also be used to secure the anchor in the fully raised position while under way.

The HWC Series is designed for automatic horizontal handling of chain-only anchor rodes while offering an independent capstan for the retrieval of a secondary rope and chain rode or to assist with docking procedures.



HWVC3500



Features

- Fully automatic single or dual direction chainwheel operation, for use with chain only rodes.
- Functional rope hauling from fore and aft using independent MAX-grip™ snag-free warping drum with clutch disengagement of chainwheel for positive control of all ropes.
- Optional dual anchor handling with smooth independent control of each chainwheel via cone clutches.
- Chain pipe assembly supplied.
- Cone-type clutch/brake mechanism permits manual 'free fall' anchoring. Cone clutches, unlike dog clutches, provide smooth progressive engagement ensuring safe and precise operator control.
- Chainwheel locking pawl to assist when using warping drum independently.
- Simple deck mounted installation with no under deck parts.
- Simplified maintenance with ability to strip the running gear (chainwheel and drum) from the windlass without disturbing the windlass mounting.
- Heavy duty, dual direction motor, designed for marine winches.
- Chainwheel and warping drum of high-quality chrome finish over marine-grade bronze.
- Marine-grade alloy casing pretreated, powder coated and finished with a two component white polyurethane paint.

KADEY KROGEN 58' FITTED WITH HWVC3500



STANDARD EQUIPMENT REQUIRED FOR SINGLE DIRECTION CONTROL

- Circuit breaker/isolator panel (supplied with DC units only)
- Foot Switches (supplied with DC units only)
- Chain Pipe and chainwheel to suit chain sizes specified
- Emergency crank handle and clutch control lever

OPTIONS

- Vertical warping drum featuring MAX-grip™ for independent rope hauling from any direction (HWVC3500 only)
- Dual direction solenoid pack
- Up/Down remote control panel
- Hydraulic motor
- Chain Stopper*
- AutoAnchor™ Equipment
- Compact Remote
- Roving remote

All standard and optional control accessories can be found on pages 26-29.