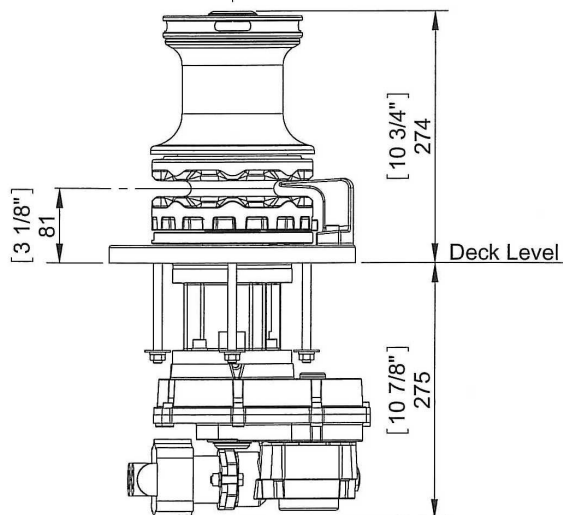
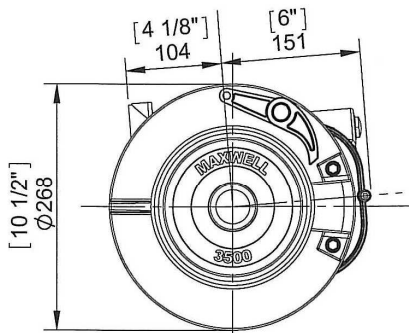
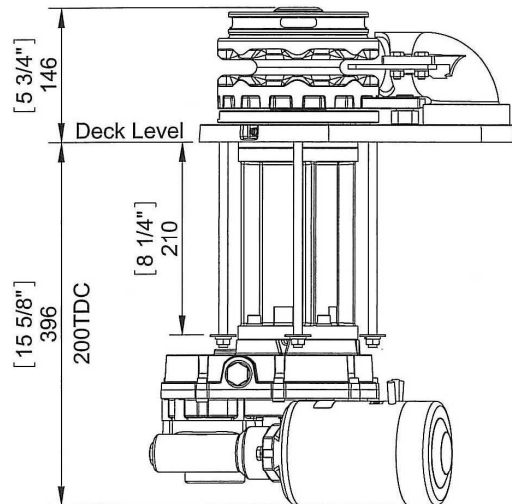
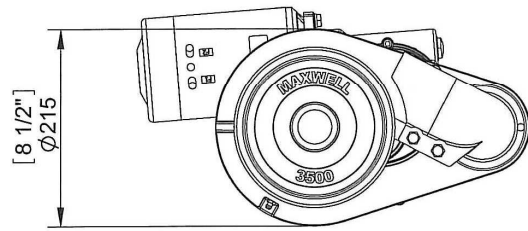
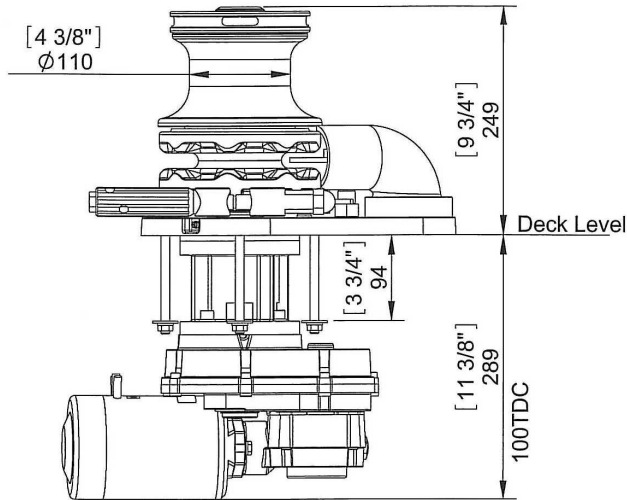
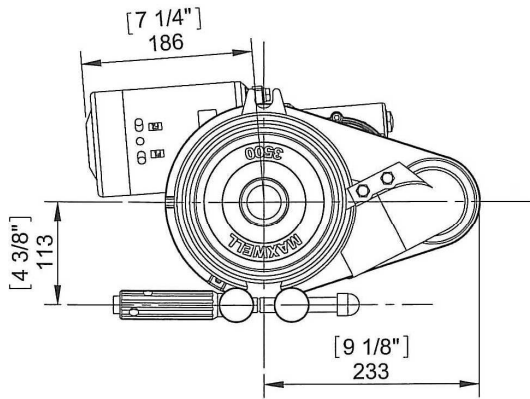


APPENDIX A – Dimensional Drawings



Note:
 Dimensions are typical within range.
 Each type of topworks, with or without band brake,
 can be combined with each type of drive.
 Use the deck level as a reference point to read
 dimensions for other combinations.