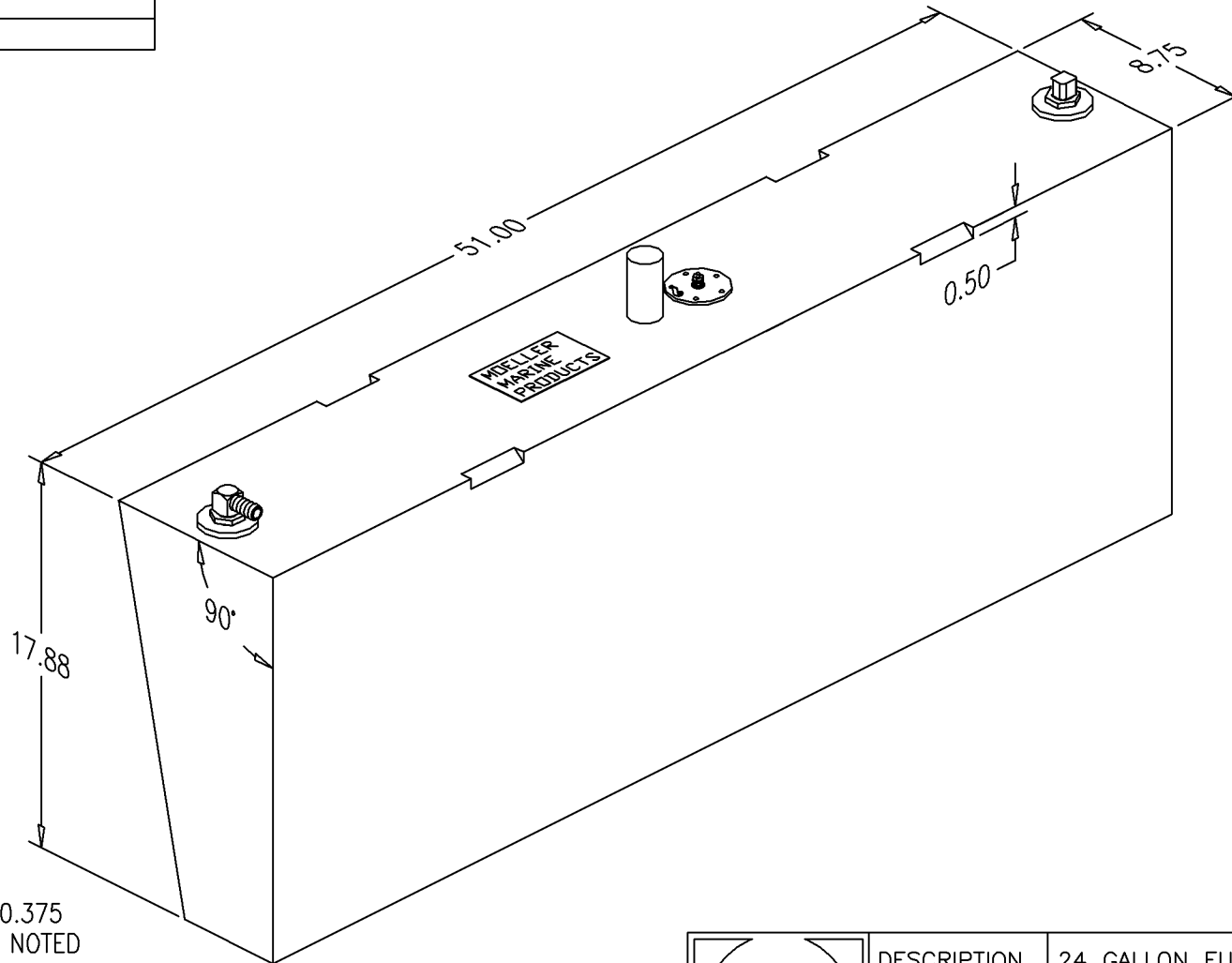


BILL of MATERIALS

Qty.	DESCRIPTION
1	ROCHESTER SENDING UNIT 16.50"
1	ALUM. PL3 PICKUP W/O BARB
1	ALUM. PL3 VENT W/ 5/8" BARB
1	Ø1.50 X 2.75 MOLDED FILL
	OVERALL HEIGHT 20.38"

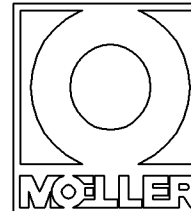
NO.	REVISION	DATE
1	REPLACE ALUMINUM FILL W/ MOLDED	6/29/09
2	REPLACE PRIME W/ ROCHESTER	9/10/09



NOTE: ALL EDGES HAVE R0.375
UNLESS OTHERWISE NOTED

PAGE 1 OF 3

THIS DRAWING AND THE ATTACHED DRAWINGS (AND THE DATA SHOWN THEREON) IS CONFIDENTIAL AND PROPRIETARY AND SHALL NOT BE USED, DISCLOSED TO OTHERS, REPRODUCED FOR ANY PURPOSE EXCEPT FOR QUOTATION TO OR ORDER BY MOELLER MARINE PRODUCTS, INC. AND/OR IT'S SUBSIDIARIES WITHOUT THEIR WRITTEN CONSENT TO THE USE OF SUCH DRAWINGS AND/OR DATA.



DESCRIPTION	24 GALLON FUEL TANK STBD (032624)		
PART #	FT2495-1	COLOR	NATURAL
MATERIAL	CROSSLINK POLYETHYLENE		
TOLERANCES	±1.5% UNLESS OTHERWISE NOTED		
WALL THK.	0.200"	DATE	9/10/09
DRAWN BY	MOELLER ENGINEERING		

