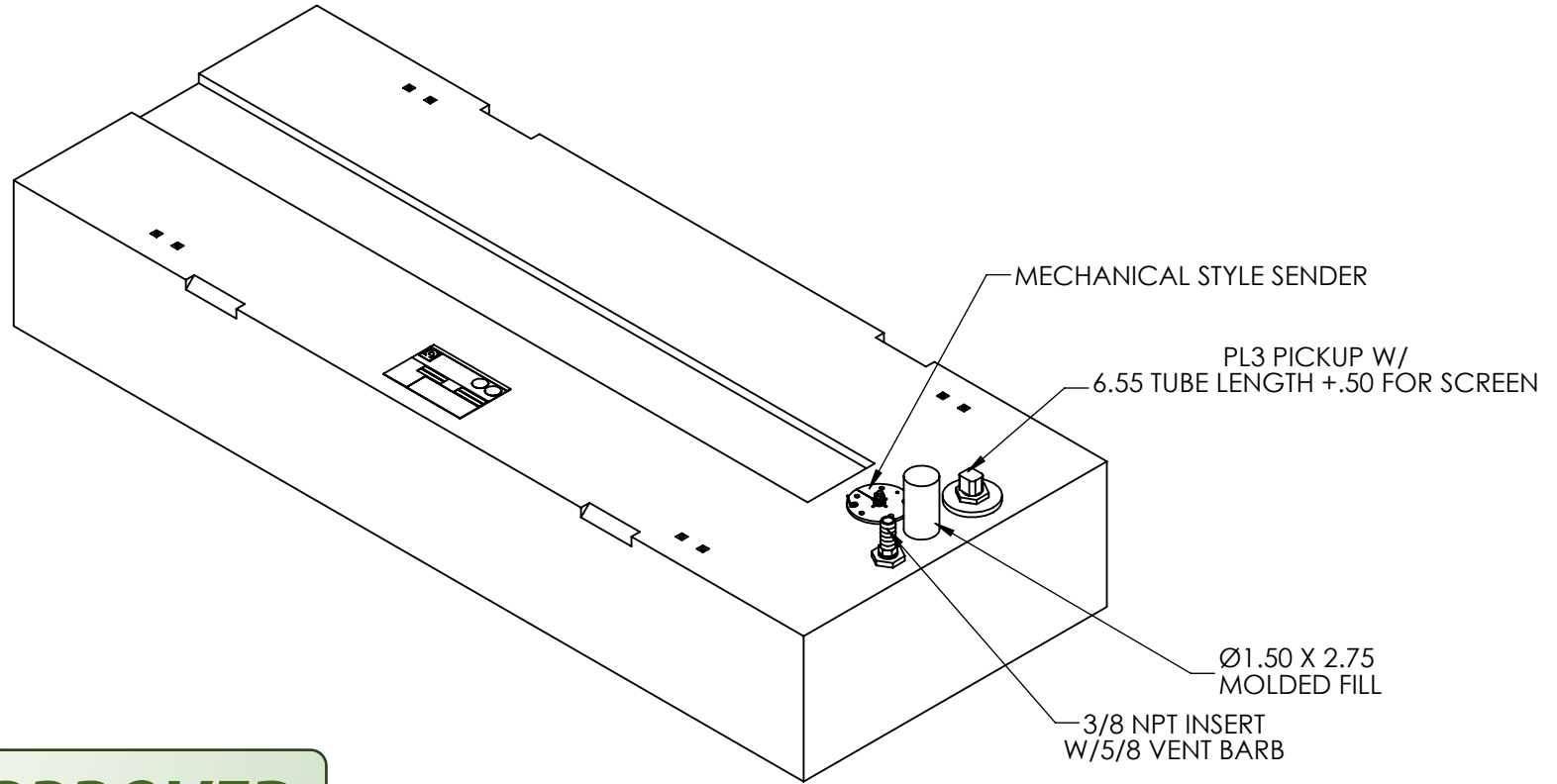


FUEL TANK INSTALLATION MUST ALLOW 3% GROWTH IN ALL DIRECTIONS. ANY DESIGNS NOT COMPLIANT WITH ABYC STANDARDS OR ARE CONSIDERED "GREY AREA" UNDER THESE STANDARDS WILL BE NOTED HERE IN. THIS PRINT AND ANY ATTACHED ARE PREPARED FOR CUSTOMER APPROVAL, PERFORMING THIS ACTION RELIEVES MOELLER MARINE PRODUCTS OF LIABILITY ASSOCIATED WITH TANK DESIGN.

REVISIONS			
1	REPLACE ALUMINUM FILL W/ MOLDED FILL	6/29/09	
2	REPLACE PRIME W/ ROCHESTER	9/10/09	
3	ROTATE SENDER	10/15/09	
4	ADD BRACKET INSERTS	2/13/14	AMC



APPROVED

PAGE 1 OF 4

© 2014 MOELLER MARINE PRODUCTS
ALL RIGHT RESERVED

NOTE: ALL EDGES R0.38
UNLESS OTHERWISE NOTED
330 SHOT BLAST SURFACE TEXTURE
1" DRAFT ON ALL EXTERIOR SURFACES AS NEEDED

THIS DRAWING AND THE ATTACHED DRAWINGS (AND THE DATA SHOWN THERON) IS CONFIDENTIAL AND PROPRIETARY AND SHALL NOT BE USED, DISCLOSED TO OTHERS, REPRODUCED FOR ANY PURPOSE EXCEPT FOR QUOTATION TO OR ORDER BY MOELLER MARINE PRODUCTS, INC. AND/OR IT'S SUBSIDIARIES WITHOUT THEIR WRITTEN CONSENT TO THE USE OF SUCH DRAWINGS AND/OR DATA.

CUSTOMER PART # TBD

CUSTOMER APPROVAL	
NAME:	
DATE:	

	DESCRIPTION	≤25 GALLON FUEL TANK (032525))		
	PART #	FT2599-1-R4	COLOR	NATURAL
	MATERIAL	CROSSLINK POLYETHYLENE		
	TOLERANCES	±1.5 % UNLESS OTHERWISE NOTED		
	WALL THK.	0.200" NOMINAL	DATE	2/13/2014
	DRAWN BY	MOELLER ENGINEERING		

