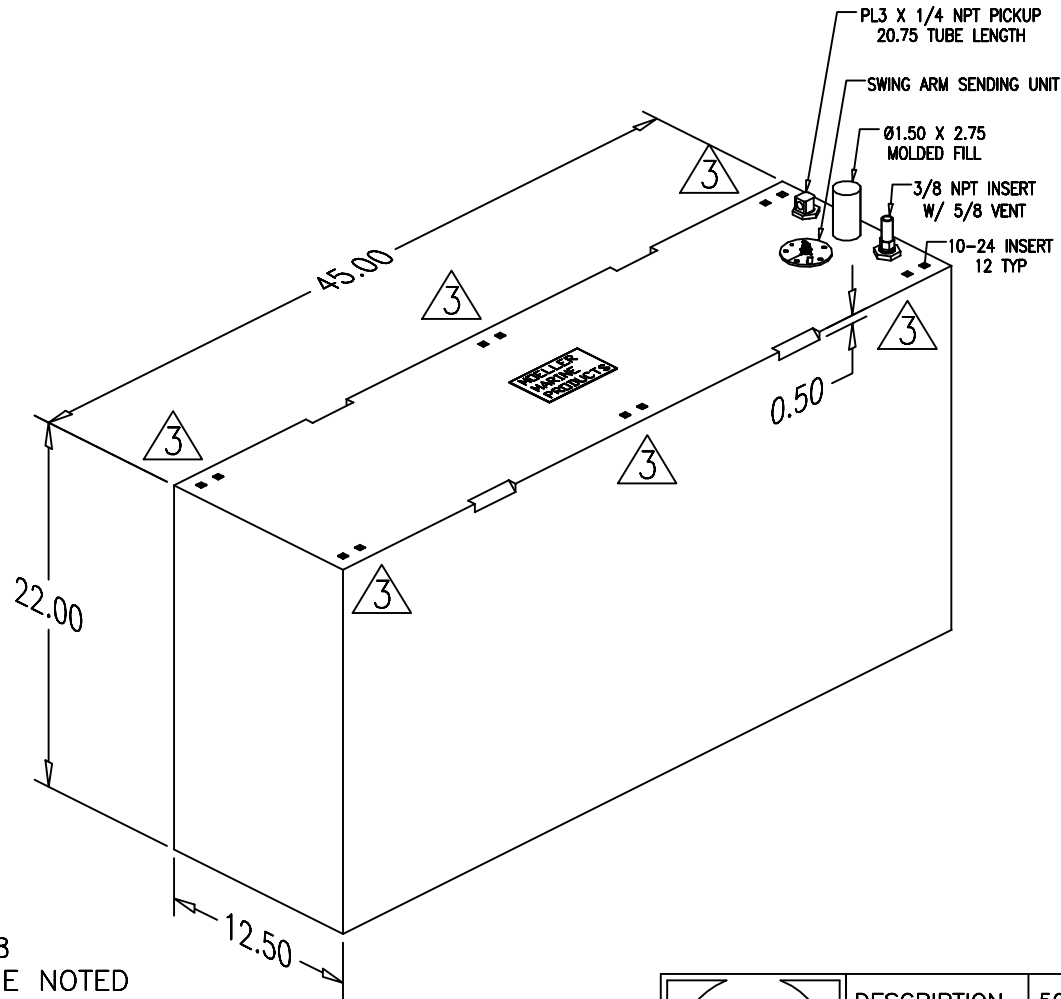


NO.	REVISION	DATE
1	REPLACE ALUMINUM FILL WITH MOLDED FILL.	4/15/08
2	REPLACE PRIME W/ ROCHESTER	1/20/10
3	ADD (12) 10-24 INSERTS	2/17/14



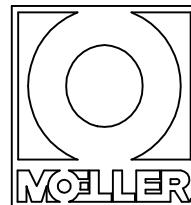
APPROVED

CUSTOMER APPROVAL	
NAME:	
DATE:	

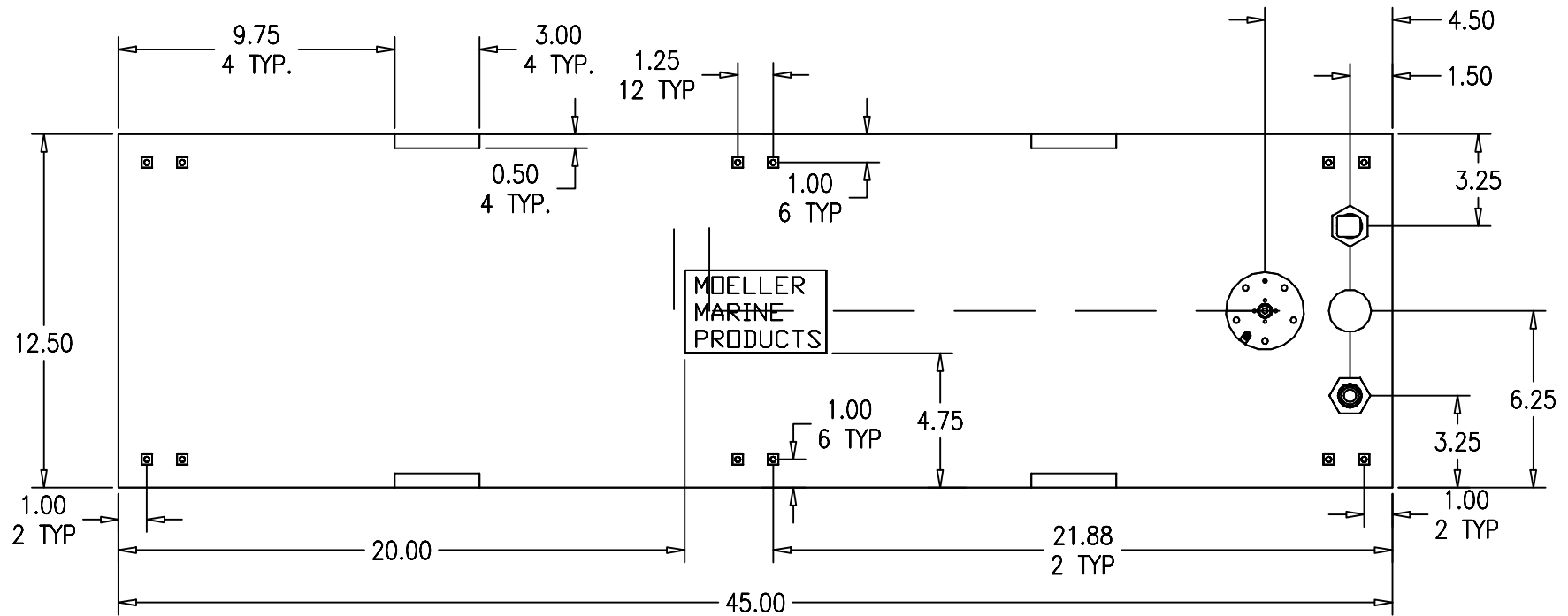
NOTE: ALL EDGES R.0.38
UNLESS OTHERWISE NOTED

PAGE 1 OF 2

THIS DRAWING AND THE ATTACHED DRAWINGS (AND THE DATA SHOWN THERON) IS CONFIDENTIAL AND PROPRIETARY AND SHALL NOT BE USED, DISCLOSED TO OTHERS, REPRODUCED FOR ANY PURPOSE EXCEPT FOR QUOTATION TO OR ORDER BY MOELLER MARINE PRODUCTS, INC. AND/OR IT'S SUBSIDIARIES WITHOUT THEIR WRITTEN CONSENT TO THE USE OF SUCH DRAWINGS AND/OR DATA.



DESCRIPTION	50 GALLON FUEL TANK (032550)		
PART #	FT5099-1	COLOR	NATURAL
MATERIAL	CROSSLINK POLYETHYLENE		
TOLERANCES	±1.5% UNLESS OTHERWISE NOTED		
WALL THK.	0.220"	DATE	2/17/14
DRAWN BY	MOELLER ENGINEERING		



TOP VIEW
 2/17/14