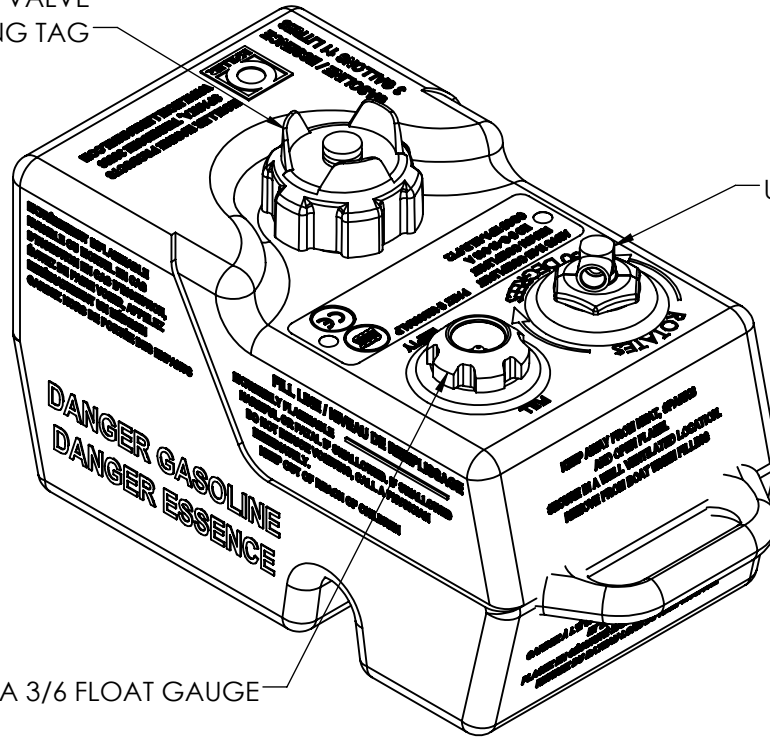


FUEL TANK INSTALLATION MUST ALLOW 3% GROWTH IN ALL DIRECTIONS. ANY DESIGNS NOT COMPLIANT WITH ABYC STANDARDS OR ARE CONSIDERED "GREY AREA" UNDER THESE STANDARDS WILL BE NOTED HERE IN. THIS PRINT AND ANY ATTACHED ARE PREPARED FOR CUSTOMER APPROVAL, PERFORMING THIS ACTION RELIEVES MOELLER MARINE PRODUCTS OF LIABILITY ASSOCIATED WITH TANK DESIGN.

| REVISIONS | | | |
|-----------|-------------|------|---------|
| REV. | DESCRIPTION | DATE | DRAFTER |

KELCH CAP ELASTOMER VALVE
W/ HANG TAG



ULTRA 3/6 SPLIT W/D

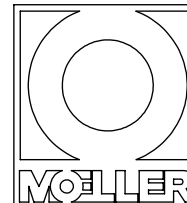
ULTRA 3/6 FLOAT GAUGE

APPROVED

PAGE 1 OF 2

DRAFT ON ALL EXTERIOR SURFACES AS NEEDED

© 2015 MOELLER MARINE PRODUCTS
ALL RIGHT RESERVED



| | | | |
|-------------|-------------------------------|-------|-----------|
| DESCRIPTION | ≤3 GALLON FUEL TANK (11.4 L) | | |
| PART # | 620003LP | COLOR | RED |
| MATERIAL | HDPE / HYPERIOR | | |
| TOLERANCES | ±1.5 % UNLESS OTHERWISE NOTED | | |
| WALL THK. | 0.065" MIN. | DATE | 11/5/2015 |
| DRAWN BY | MOELLER ENGINEERING | | |

THIS DRAWING AND THE ATTACHED DRAWINGS (AND THE DATA SHOWN THERON) IS CONFIDENTIAL AND PROPRIETARY AND SHALL NOT BE USED, DISCLOSED TO OTHERS, REPRODUCED FOR ANY PURPOSE EXCEPT FOR QUOTATION TO OR ORDER BY MOELLER MARINE PRODUCTS, INC. AND/OR IT'S SUBSIDIARIES WITHOUT THEIR WRITTEN CONSENT TO THE USE OF SUCH DRAWINGS AND/OR DATA.

