



FOR MODEL NUMBER MD3188v02

MANUFACTURER'S MANUAL INFLATABLE PFD

MD3188v02 HYDROSTATIC INFLATION MODEL
MANUAL WITH AUTOMATIC BACKUP

USCG APPROVALS:

COMMERCIAL: TYPE V WORK VEST

UNINSPECTED COMMERCIAL VESSELS: TYPE V

RECREATIONAL: TYPE II

DO NOT REMOVE PRIOR TO SALE
HT3188 REV 15JUN2021

TABLE OF CONTENTS

INTRODUCTION	1
UNITED STATES COAST GUARD APPROVALS.....	1
APPROVAL CONDITIONS AND CARRIAGE REGULATIONS	2
CONDITIONS FOR COMMERCIAL TYPE V AND/OR WORK VEST APPROVAL IN COMMERCIAL APPLICATIONS	2
MANDATORY CARRIAGE REQUIREMENTS.....	3
NOTE TO COMMERCIAL VESSEL OPERATORS.....	3
WHAT IS AN INFLATABLE PFD?	3
INSTRUCTIONS FOR USE	4
COMMERCIAL VESSEL USE	4
VISUAL INSPECTION AND READINESS CHECKLIST	4
SIZING AND FIT.....	6
PUTTING ON (DONNING) YOUR PFD	6
REMOVING YOUR PFD.....	7
INFLATING YOUR PFD.....	7
SPECIAL CONSIDERATION FOR INFLATABLE DEVICES.....	9
USAGE BELOW FREEZING	9
DEFLATING YOUR PFD.....	9
RE-ARMING YOUR PFD	10
REPACKING YOUR PFD	14
IS YOUR PFD IN GOOD AND SERVICEABLE CONDITION?	17
SERVICING INSTRUCTIONS FOR COMMERCIAL OPERATORS	17
CARE AND MAINTENANCE INSTRUCTIONS	18
BEFORE EACH USE.....	18
AFTER EACH CO ₂ INFLATION.....	18
EVERY THREE MONTHS.....	19
ANNUALLY.....	20
EVERY FIVE YEARS.....	20
CLEANING AND STOWAGE OF YOUR PFD.....	21

DETERMINE IF YOUR PFD NEEDS SERVICING.....	21
COMMERCIAL TRAINING CONTENT AND PROCEDURE	22
USE.....	23
MAINTENANCE	24
WHY ARE PFDs REQUIRED SAFETY EQUIPMENT?	25
HOW AND WHY TO TEST YOUR PFD.....	26
HOW TO TEST YOUR PFD USING THE AUTOMATIC INFLATOR	26
HOW TO TEST YOUR PFD USING THE MANUAL INFLATOR	27
HOW TO TEST YOUR PFD USING THE ORAL INFLATOR	27
WEAR YOUR PFD	28
HYPOTHERMIA.....	28
HOW HYPOTHERMIA AFFECTS MOST ADULTS.....	28
EACH OF THESE DEVICES IS INTENDED TO HELP YOU SAVE YOUR LIFE.....	30
INFLATABLE PFD SAFETY ACCESSORIES	30
ADDITIONAL INFORMATION	30
DO NOT ATTACH PFDs TO YOUR BOAT	30
AIRLINE OPERATOR POLICY ON CARRIAGE OF INFLATABLE PFDs AND CO ₂ CARTRIDGES	31

COPYRIGHT © 2020 MUSTANG SURVIVAL CORP.

**NO PART OF THIS DOCUMENT MAY BE REPRODUCED, TRANSMITTED, OR TRANSCRIBED
IN ANY FORM OR BY ANY MEANS WITHOUT THE EXPRESS PERMISSION OF MUSTANG
SURVIVAL CORP.**

**WHILE EVERY EFFORT POSSIBLE HAS BEEN MADE TO ENSURE TECHNICAL ACCURACY,
INFORMATION WITHIN THIS DOCUMENT IS SUBJECT TO CHANGE WITHOUT NOTICE.**

INTRODUCTION

This manual provides instructions and guidelines for safely using and maintaining the Mustang Survival MD3188v02 inflatable personal flotation device (PFD). It is strongly recommended that users familiarize themselves with all the procedures presented in this manual.

Full gear in-water testing is recommended to validate performance and to become familiar with the use and feel of the PFD.

The MD3188v02 PFD provides flotation, helping to keep the head above water, to stay face up, and to increase chances for survival and rescue. The PFD inflates automatically on submersion using a hydrostatic inflator that significantly reduces the potential for accidental inflation due to humidity, sea spray, or wet storage. The inflator must be submerged to activate.

The MD3188v02 PFD may also be inflated manually, prior to submersion, by pulling the manual inflation handle.

The MD3188v02 PFD is designed to offer maximum mobility with minimum bulk. The MD3188v02 PFD is worn as a comfortable, slim collar that can be inflated at any time either automatically (water immersion), manually (manual pull-tab handle), or orally (oral inflation tube).

Drowning is the leading cause of fatalities involving recreational and commercial vessels. Most fatal accidents happen on calm sunny days, and in approximately 80 percent of all boating fatalities, the victims were not wearing a PFD.

When worn, used, and serviced according to the instructions in this manual, Mustang Survival MD3188v02 PFDs can greatly increase a user's chance of survival in the water.

UNITED STATES COAST GUARD APPROVALS

- Type V work vest
- Type V uninspected commercial vessels
- Type II recreational PFD the cockpit in any other type of boat, or readily available to any other adult occupant while below deck.

APPROVAL CONDITIONS AND CARRIAGE REGULATIONS

Commercial Vessels – Model MD3188v02 is approved by the U.S. Coast Guard (USCG) as a Work Vest ONLY WHEN WORN under 46 CFR 160.053 for use on all inspected and uninspected commercial vessels of any length. **Not approved for “hot work,”** such as burning, welding, riveting, grinding.

Uninspected Commercial Vessels – Model MD3188v02 is USCG-approved for use in lieu of a Type II PFD under 46 CFR 160.064 on uninspected commercial vessels less than 40 feet in length not carrying passengers for hire when used and serviced in accordance with this manufacturer’s manual.

CONDITIONS FOR COMMERCIAL TYPE V AND/OR WORK VEST APPROVAL IN COMMERCIAL APPLICATIONS

1. The MD3188v02 must be worn before getting underway and whenever above deck and not within an enclosed space to meet the carriage requirement.
2. The operator of a commercial vessel is responsible for servicing and maintaining the MD3188v02 in good serviceable condition in accordance with this manufacturer’s manual. See “Care and Maintenance Instructions,” page 18, for servicing information.
3. The operator of a commercial vessel is responsible for providing each person onboard with the safety information required for use of the MD3188v02. See “Note to Commercial Vessel Operators,” page 3, for information.
4. All inflatable PFDs in use aboard a commercial vessel must be the same manufacturer and model or have the same method of operation. Hydrostatic inflation and pill or bobbin type inflation do not qualify as the same method of operation.

Recreational Boats – Model MD3188v02 is approved by the USCG for use as a Type II Personal Flotation Device (PFD). It is not approved for water skiing or other high impact, high speed activities. This inflatable PFD was designed to be more comfortable and less restrictive to wear than inherently buoyant PFDs. When worn, used, and serviced according to this manufacturer’s manual, this PFD can greatly increase your chances of survival in the water. **Not recommended for non-swimmers or weak swimmers.** Users of inflatable PFDs must be at least 16 years old.

General – When fully inflated, this inflatable PFD will provide Type II in-water performance. This PFD will turn most wearers from a face down to a face up position and provide support suitable for offshore conditions. This PFD must be in good and serviceable condition including properly armed with a full CO₂ cylinder, inflation system status indicator, and an accessible manual inflation lanyard.

MANDATORY CARRIAGE REQUIREMENTS

Federal regulations in 33 CFR 175-1993 require you to carry USCG-approved personal flotation devices (PFDs) legibly marked with the USCG-approval number which are in good and serviceable condition and are the correct size for each person on board. To be considered serviceable, this PFD shall not exhibit deterioration that could diminish its performance such as broken or deformed hardware, detached webbing, rotted structural components, air leaks, or nonfunctional oral inflation tube. This PFD must also be properly armed with a full CO₂ cylinder, inflation system status indicator, and an accessible manual inflation lanyard. A PFD which is “approved only when worn” or “required to be worn” must be worn under the specified conditions.

NOTE TO COMMERCIAL VESSEL OPERATORS

The operator of the vessel must note that this PFD is NOT approved for use by passengers and is advised to tell passengers which PFDs are and are not suitable for their use during any passenger safety orientation (reference 46 CFR 26.03-1 and 46 CFR 122.506).

WHAT IS AN INFLATABLE PFD?

While traditional PFDs are inherently buoyant, inflatable PFDs rely entirely on inflation for buoyancy. Uninflated, this PFD is a comfortable slim collar that can be inflated at any time with a 33-gram CO₂ gas cylinder. The PFD is designed to offer maximum mobility with minimum bulk. It can be inflated either automatically by water immersion, manually by jerking a pull-tab, or orally by mouth. It is recommended that you familiarize yourself with the procedures outlined in the “Instructions for Use” on the following page.

INSTRUCTIONS FOR USE

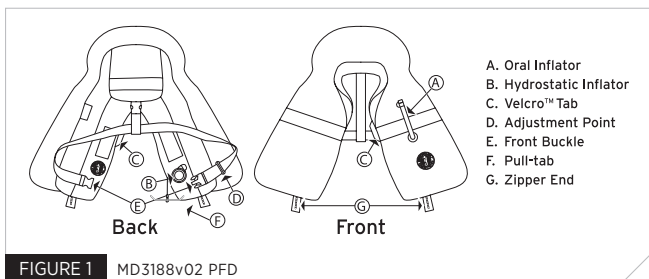
This manual supplies instructional, maintenance, and safety information for model MD3188v02. The PFD model number is listed on the underside label.

COMMERCIAL VESSEL USE

This inflatable PFD is not approved for “hot work.” Although the outer cover in the packed condition is resistant to abrasion and puncture, care must be taken to avoid damage from heat, abrasion, and sharp objects.

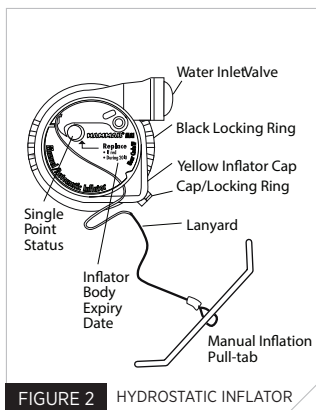
VISUAL INSPECTION AND READINESS CHECKLIST

Before each use, perform a visual inspection and ensure each check box is checked.



- Check that the single point status indicator is green.
 - Examine the single point status indicator through the window panel of the hydrostatic inflator (Fig. 1 and 2). Ensure the indicator is green. If the indicator is red, the mechanism has been fired or is incorrectly fitted (see “Re-arming Your PFD,” page 10).

THE SINGLE POINT STATUS INDICATOR MUST BE GREEN BEFORE PROCEEDING.



- Check that the current date is not past the date on the inflator.
 - If the current date is past the date on the inflator, replace the inflator (see “Re-arming Your PFD,” page 10).
- Check that the oral tube cap is in the stowed position (Fig.7).
 - To access the oral tube, use the Velcro™ tab (Fig. 1: item C) to undo the zipper on the wearer’s left side and unfold the inflatable cell.
- Check for damage to the device.
 - Check for rips, tears, excessive abrasion, fading, or holes.
 - Check the seams for secure attachment.
 - Check the cell cover, straps, and hardware for strength.
 - Ensure the hardware is not deformed.
 - If the device shows damage, it may need servicing or replacement.
- Ensure both zipper stops are in place under Velcro™ tab (Fig. 25).
- Check that the inflation pull-tab is hanging on the outside (Fig. 1: item F).
 - If the pull-tab is not hanging on the outside, see “Repacking Your PFD,” page 14.
- Check that all zippers, Velcro™ and waist buckle are securely fastened.
 - If zippers are opened, repack the device according to “Repacking Your PFD,” page 14.
 - Put on the PFD (see “Putting on [Donning] Your PFD,” page 6).
- Check that the PFD is not twisted.
 - Feel the device around your neck to ensure it is not twisted.

CONTACT YOUR MUSTANG DEALER IF YOU HAVE ANY CONCERNS ABOUT THE READINESS OF YOUR PFD.

SIZING AND FIT

This PFD provides a minimum of 33.7 pounds (150 N) of buoyancy when inflated and is designed for wearers over 16 years of age, with a chest range of 30-52 inches (76-132 cm) weighing over 80 pounds (36 kg).

PUTTING ON (DONNING) YOUR PFD

It is important that the PFD is properly adjusted to fit the person wearing it. An incorrect fit or improper fastening of attachments could impede its effectiveness.

1. All belts and straps are already threaded correctly and only need to be adjusted for fit. The belt should fit below your rib cage, adjusted to a tight personal fit.
2. Put the PFD on just like a jacket and fasten the front buckle (Fig. 3).

WARNING: LOOSE VEST OR LOOSE ENDS CAN MAIM OR KILL YOU.

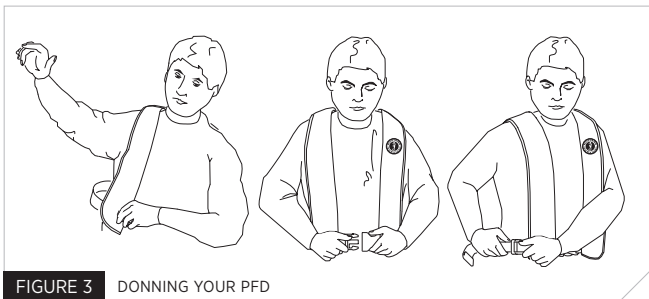


FIGURE 3 DONNING YOUR PFD

3. Adjust the waist belt for a snug fit using the side buckle on the belt (Fig. 3).
4. Reposition the plastic sliding loop as far back as possible to keep the free end from hanging loose.
5. Wrap and tuck any remaining loose straps around belt.
6. Recheck loose ends and readjust as needed.

WARNING: DO NOT WEAR INFLATABLE PFDs UNDER CLOTHING AS THE INFLATION COULD BE RESTRICTED OR YOU COULD BE INJURED.

REMOVING YOUR PFD

In some instances, quick removal of the PFD may be necessary for your safety.

Simply unfasten the front buckle, and remove the vest like a jacket.

In-water removal of your PFD may require deflation through the oral tube to access and open the front buckle (see “Deflating Your PFD,” page 9).

INFLATING YOUR PFD

Follow the below procedures to inflate your PFD:

1. **Manual Inflation** – Activate the inflation system by jerking firmly downward on the pull-tab (Fig. 4). The PFD should fully inflate within five seconds.
2. **Automatic Backup Inflation** – When the inflator is lowered more than about four inches in the water, then the hydrostatic valve opens and lets the water meet the water sensitive element that in turn releases a stainless steel coil spring. The spring then drives a needle into the end of the gas cylinder, which is now punctured so that the gas instantly fills the life jacket. Total buoyancy is normally reached within four to five seconds.

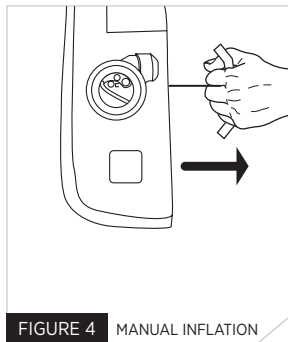


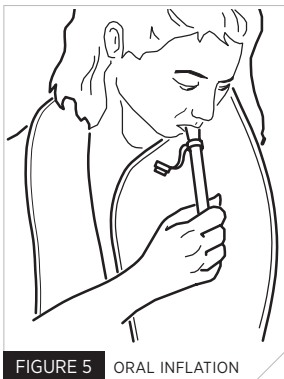
FIGURE 4 MANUAL INFLATION

Permeation loss is greater when the PFD is inflated with carbon dioxide (CO₂) gas than with air: the gas will slowly escape through the fabric over time. A slight reduction of pressure will be observed after several hours of inflation. Topping up by oral inflation may be required in the event of prolonged immersion.

- 3. Oral Inflation** – Properly armed and inspected PFDs will inflate when manually or automatically activated. However, you can fully inflate the PFD by mouth (Fig. 5) should inflation not occur, or if you are in a non-emergency situation.

To orally inflate the PFD in a non-emergency situation:

- i. Ensure the cylinder body and inflator cap are properly installed.
- ii. Open both of the zippers starting from the Velcro™ Tab (Fig. 1).
- iii. Locate the oral inflation tube by opening the wearer's left front panel.
- iv. Remove the cap from the end of the oral tube and blow into the tube until the PFD is fully inflated.



To orally inflate the PFD in an emergency situation:

- i. Locate the oral inflation tube by opening the zipper flap on the wearer's left front panel.
- ii. Remove the cap from the oral tube and blow into the tube. If the PFD does not break out of the zippers entirely, separate the cover zipper by hand. Continue blowing into the oral tube until the PFD is fully inflated.

WARNING: AVOID DOUBLE INFLATION (CO₂ CYLINDER INFLATION AFTER FULL ORAL INFLATION) AS IT COULD DAMAGE THE PFD.

SPECIAL CONSIDERATIONS FOR INFLATABLE DEVICES

The inflatable PFD might not be armed when needed, either knowingly or unknowingly. Inadvertent inflation causes several risks that you must address to avoid drowning. Much less common but also important are:

1. Double inflation (CO₂ cylinder inflation after full oral inflation) could damage the PFD.
2. Inflation when stowed in a tight space could damage the PFD.
3. If you need to jump from any height, always fold your arms over your chest to keep the PFD in place when entering the water.
4. The PFD could inflate when you are in an awkward place or position. If this PFD should inflate inadvertently, a re-arm kit (MA5283) is required to re-arm the device.

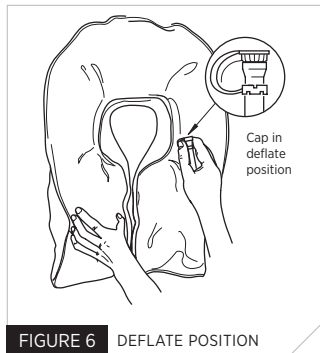
THE PFD SHOULD ALWAYS BE RE-ARMED ACCORDING TO THE INSTRUCTIONS (SEE "RE-ARMING YOUR PFD," PAGE 10).

USAGE BELOW FREEZING

Do not use inflatable PFDs in below freezing temperatures because a fully discharged cylinder may not quickly or adequately inflate your PFD.

DEFLATING YOUR PFD

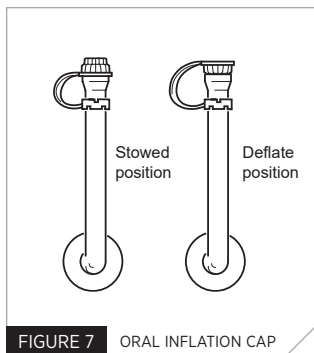
1. To deflate the PFD, reverse the oral-inflation tube cap and insert it into the valve or depress the valve with your fingertip. The cap will not lock in the deflate position so it is necessary to hold it in place (Fig. 6).



2. Gently squeeze the PFD until all air or gas has been expelled. To avoid damage, do not wring or twist the PFD. Put the inflation tube cap back in its stowed position on the oral inflation tube (Fig. 7).

ENSURE ALL AIR HAS BEEN REMOVED FROM THE PFD.

3. Examine the single point status indicator (Fig. 2). If the indicator is red, the mechanism has been fired and the inflator requires service (see “Re-arming Your PFD,” below).



THE SINGLE POINT STATUS INDICATOR MUST BE GREEN BEFORE PROCEEDING.

4. Your device is ready to be repacked (see “Repacking Your PFD,” page 14).

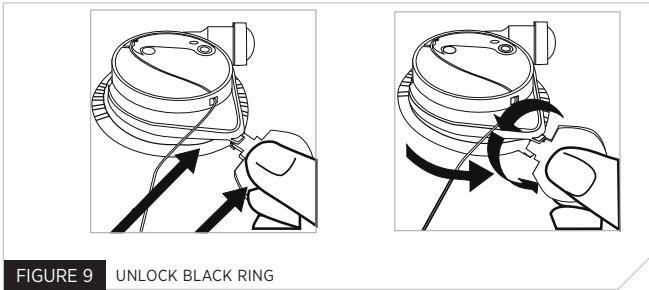
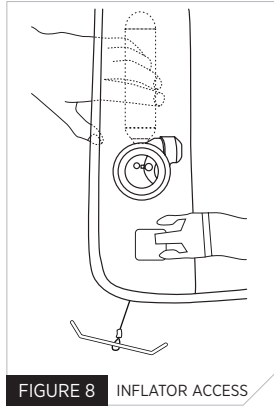
RE-ARMING YOUR PFD

A VALID RE-ARM KIT (MA5283) IS REQUIRED FOR THIS PROCEDURE.

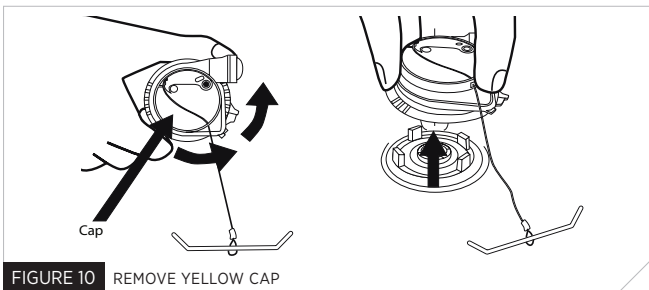
Warning

- This gas cylinder is under pressure, therefore misuse can be dangerous.
- Do not incinerate, expose to sunlight, or store above 120°F (50°C).
- Do not throw into open fire or dump at sea.
- Keep away from children.
- Dispose of gas cylinders only when empty.
- Discharge and dispose of corroded or rusty cylinders.

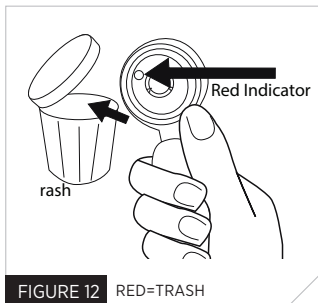
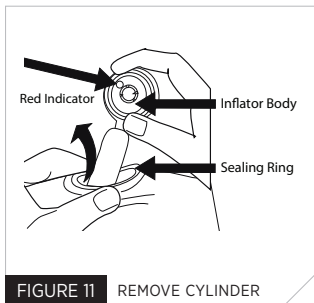
1. Place the PFD on a smooth, flat surface and wipe off any water. If needed, unpack the PFD starting at the zipper flap. Access the inflator by reaching between the cover and cell and pulling it toward you, turning the cell and cover inside-out to fully expose the inflator for re-arming. Hold the CO₂ cylinder through the fabric, using one hand (Fig. 8).
2. Insert the metal key between the black locking ring and the labeled yellow cap. Turn the key counterclockwise (Fig. 9).



3. Turn the black locking ring counterclockwise and lift off the cap (yellow inflator operating head), Fig. 10. Dispose of the used cap.

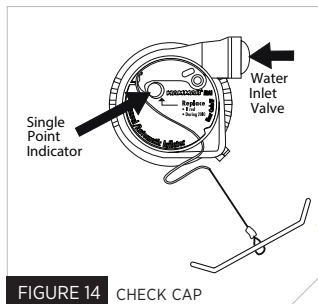
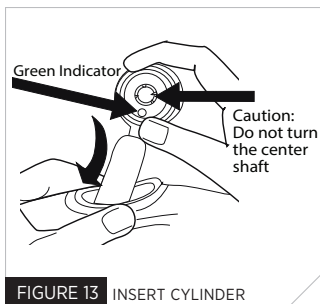


- Squeeze the sealing ring to elongate and remove the inflator body through the sealing ring (Fig. 11).
- Dispose of the used inflator body (Fig. 12).

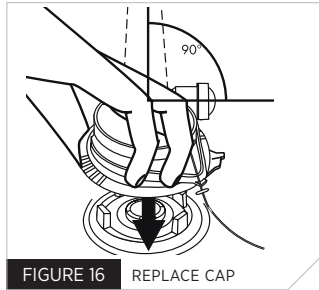
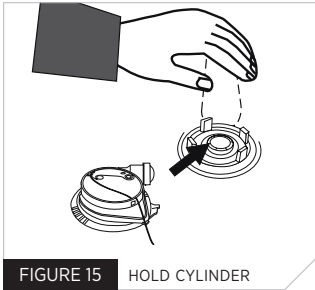


- Check that the new inflator body indicator is green. Insert the new inflator body with CO₂ cylinder pointing upward inside the PFD (Fig. 13). Let the sealing ring rest on the adapter around the four lugs.
- Now check the new manual/automatic cap as follows (Fig. 14):
 - Is the single point status indicator showing green?
 - Is the expiry date OK?

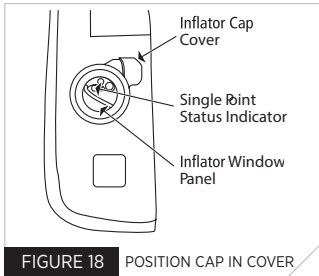
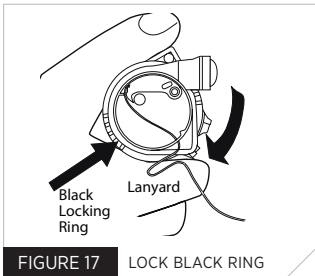
If YES is the answer to both questions, then proceed as follows. If the answer is NO to either question, get a new cap.



8. Hold the CO₂ cylinder through the fabric of the PFD (Fig. 15). Position the replacement cap with the water inlet valve pointing to the right and press firmly onto the inflator body and sealing ring (Fig. 16).



9. While pressing **FIRMLY** onto the inflator body, turn the **BLACK** locking ring clockwise into the locked position (Fig. 17). Pull on the cap to make sure it has locked onto the inflator body.
10. Check that the single point status indicator on the cap is green; that the pull-to-inflate lanyard is present, and that the locking ring is locked.
11. Turn cell and cover right-side out, returning to normal state. Position the protective inflator cap cover over the inflator body so that the single point status indicator is visible through the inflator window panel (Fig. 18).

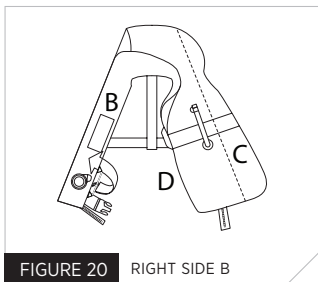
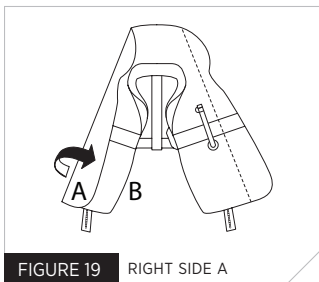


12. If your PFD has been used and/or the inflator replaced, always inflate through the oral tube and check that it stays inflated at least overnight. Deflate the PFD again by reversing the oral-inflation tube cap and inserting it into the valve or by depressing the valve with your fingertip. Gently squeeze the PFD until all air or gas has been expelled. Let the PFD dry before repacking.
13. Refold the PFD in accordance with the repacking section (page 14).

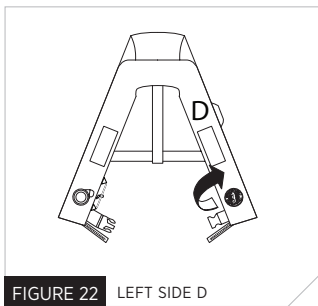
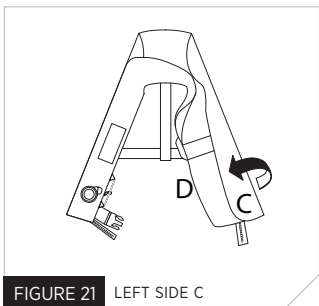
REPACKING YOUR PFD

BEFORE FOLLOWING THE REPACKING SEQUENCE, BE SURE TO PROPERLY RE-ARM YOUR PFD, PAGE 10. ENSURE ALL AIR IS REMOVED BEFORE REPACKING.

1. Lay the PFD on a flat, clean surface.
2. Fold wearer's right side (A) inward along the full length of the PFD (Fig. 19). Fold cover (B) over; covering side (A) (Fig. 20).



3. Repeat step 2 on left with side (C) (Fig. 21), and cover (D) (Fig. 22).



4. Ensure the inflator body is still located within its protective cap cover and that the single point status indicator is visible through the inflator window panel (Fig. 18).

5. Fold over the top side (E) (Fig. 23) and cover (F) (Fig. 24).

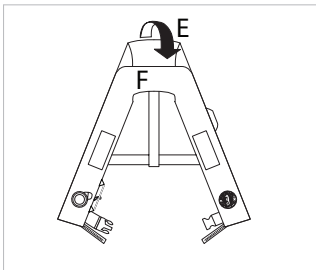


FIGURE 23 FOLD TOP

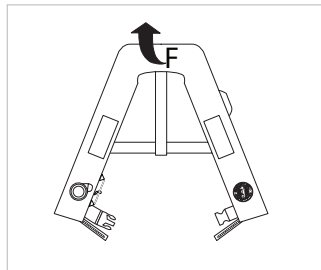


FIGURE 24 FOLD COVER

6. Mustang Survival uses advanced two-step zippers that can be reset. Reset 1: Pull the slider (G) to the Velcro™ tab (H) (Fig. 25). Close by pulling the slider (G) in the opposite direction to the end of the zipper (Fig. 26). Ensure that the inflatable cell does not get caught by the zipper when closing.

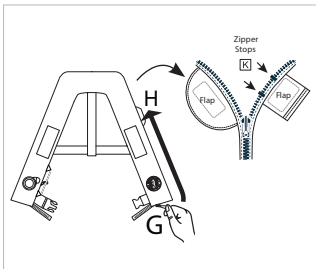


FIGURE 25 RESET 1: UP

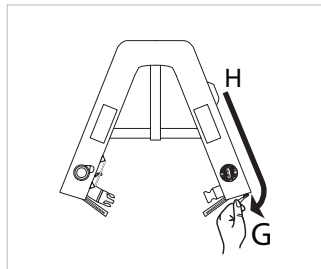


FIGURE 26 RESET 1: DOWN

7. Fasten the Velcro™ tab (H) (Fig. 27) to keep zipper closed.

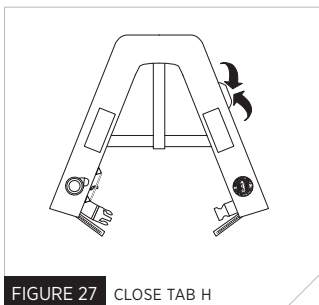


FIGURE 27 CLOSE TAB H

8. Reset 2: Pull the slider (I) to the Velcro™ tab (H) (Fig. 28). Close by pulling slider (I) in the opposite direction to the end of the zipper (Fig. 29). Ensure that the inflatable cell does not get caught by the zipper when closing.

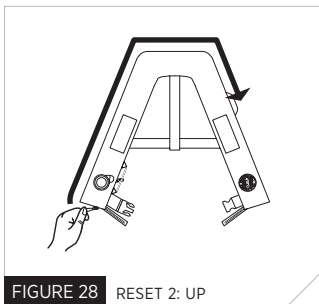


FIGURE 28 RESET 2: UP

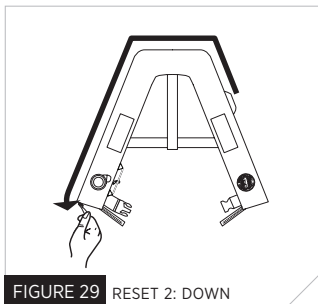
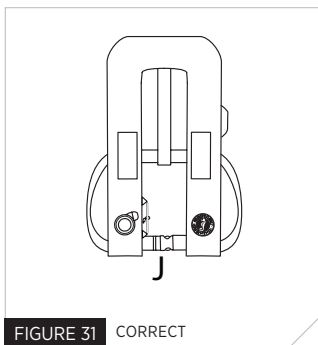
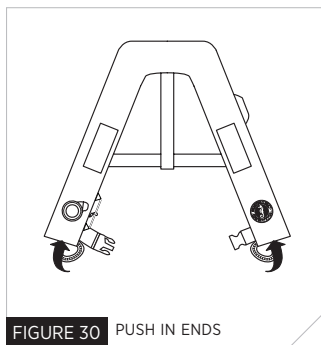


FIGURE 29 RESET 2: DOWN

- Use a finger to push the zipper ends into the openings at the bottom of the packed PFD (Fig. 30).
- Ensure the pull-tab (J) is on the outside of the folded PFD. Fig. 31 depicts a correctly folded PFD.



IS YOUR PFD IN GOOD AND SERVICEABLE CONDITION?

Check your inflatable PFD between uses to be sure that it is properly armed; that it is free of rips, tears or holes; that all seams are securely sewn; and that the fabric, straps, and hardware are still strong (see “Visual Inspection and Readiness Checklist,” page 4). Inspect the PFD in accordance with the Care and Maintenance instructions.

SERVICING INSTRUCTIONS FOR COMMERCIAL OPERATORS

Federal Regulations require that Coast Guard-approved PFDs are legibly marked with the Coast Guard approval number, are in good and serviceable condition, and are the correct size for each person on board.

It is the responsibility of the operator to be sure this PFD is in serviceable condition. To be considered serviceable, this PFD shall not exhibit deterioration that could diminish its performance, such as broken or deformed hardware, detached webbing, rotted structural components, air leaks, or nonfunctional oral inflation tube. This PFD must also be properly armed with a cylinder installed in the inflator, a single point status indicator showing green, and an accessible manual inflation lanyard. See “Instructions for Use,” page 4.

Failure to follow these instructions rigorously could result in a non-functioning PFD causing injury or death.

CARE AND MAINTENANCE INSTRUCTIONS

These instructions apply to recreational users, commercial vessel operators, and designated maintenance personnel. Check the following at the intervals listed below. Descriptions for each test are given below the table:

Inspection and Maintenance Schedule

	Before each use	After each CO ₂ inflation	Every 3 months	Annually*	Every 5 years
Visual Inspection and Readiness Checklist, page 4.	X				
Thorough inspection			X	X	X
Inspect date of auto-inflation mechanism		X			
Recommended test auto-inflation					X
Re-arm – replace CO ₂ cylinder and inflator		X			X
Leak test – 16 hours			X	X	X
Clean			X	X	X
Record and date service record label on PFD				X	X

*Perform more often if PFD is exposed to potential damage or used in extreme conditions.

BEFORE EACH USE

- Refer to the “Visual Inspection and Readiness Checklist,” page 4.

AFTER EACH CO₂ INFLATION

- Re-arm the PFD. See “Re-arming Your PFD,” page 10. If a re-arm kit is not available, the PFD can only be activated by oral inflation with a used cylinder and inflator cap installed.
- If a re-arm kit is available, ensure the current date is not past the date on the inflator. If it is, replace the inflator (see “Re-arming Your PFD,” page 10).

EVERY THREE MONTHS

- Perform a thorough inspection:
 - Examine the single point status indicator through the window panel. Ensure the indicator is green. If the indicator is red, the mechanism requires service (see “Re-arming Your PFD,” page 10).
 - Ensure the current date is not past the date on the inflator. If the current date is past the date on the inflator, replace the inflator (see “Re-arming Your PFD,” page 10, step 4).
 - The inflator’s water inlet channel is clear of obstruction.
 - Ensure both zipper stops are in place under Velcro™ tab.
 - Visually check for rips, tears, excessive abrasion, fading, or holes. Check the seams for secure attachment. Ensure the hardware is not deformed. If the device shows damage, it may need servicing or replacement.
 - Tug on seams, straps, and attachments to ensure they are still strong.
- **Leak Test:** Test your PFD for general leakage by orally inflating until firm and letting stand for 16 hours. A leaking inflatable PFD will not hold its firmness and should be replaced or taken to your Mustang dealer for evaluation and/or servicing. Repack the PFD as outlined in the repacking section, page 14.

CONDUCT THESE TESTS MORE OFTEN IF THE PFD IS EXPOSED TO POTENTIAL DAMAGE OR USED IN EXTREME CONDITIONS.

ANNUALLY

Perform the following annually, or whenever the integrity of the PFD is in doubt:

- Perform a thorough inspection. Refer to the “Every Three Months” section.
- Perform the Leak Test in the “Every Three Months” section.
- Clean the PFD. Check for dirt and corrosion and replace all corroded parts. See “Cleaning and Stowage of Your PFD,” page 21.
- Record as an “Annual” inspection in permanent ink on the Service Record label on the PFD. Repack the PFD as outlined in the repacking section, page 14.

EVERY FIVE YEARS

- Perform a thorough inspection. Refer to the “Every Three Months” section.
- Test the auto-inflation mechanism (see “Inflating Your PFD,” page 7) by submerging the device in at least four inches of water. The device should inflate within five seconds.
- Perform the Leak Test in the “Every Three Months” section.
- Clean the PFD. Check for dirt and corrosion and replace all corroded parts. See “Cleaning and Stowage of Your PFD,” page 21.
- Record as an “Annual” inspection in permanent ink on the Service Record label on the PFD. Write an asterisk (*) next to the date to mark each five year inspection.

Re-arm and repack the PFD as outlined in the re-arming (page 10) and repacking (page 14) sections.

WARNING: IF YOU ARE NOT CONFIDENT IN THE SELF-INSPECTION AND SERVICING OF YOUR PFD IN ACCORDANCE WITH THESE INSTRUCTIONS, TAKE YOUR PFD TO A MUSTANG DEALER FOR PROFESSIONAL SERVICING OR CONTACT MUSTANG SURVIVAL.

CLEANING AND STOWAGE OF YOUR PFD

To avoid inflation, do not submerge the PFD or directly spray the inflator.

- Hand wash or sponge down the PFD in warm, soapy water.
- Rinse the PFD and inflator with clean water, using a clean rinse cloth. Keep the inflator dry.
- Hang the PFD to dry on a plastic coat hanger.
- Do not dry clean.
- Do not use chlorine bleach.
- Do not iron or dry with direct heat.

Always store your PFD in a warm, dry place out of direct sunlight.

DETERMINE IF YOUR PFD NEEDS SERVICING

Your PFD is required to be serviceable to be considered approved. To be considered serviceable, your PFD must not exhibit:

- Excessive abrasion
- Fading
- Tearing of any of the fabrics or straps
- Excessively worn components
- Contaminated components
- Punctures
- Rotted or cut straps
- Separated seams and webbing attachments – tug on the seams and ensure the components do not separate
- Broken or deformed hardware
- A nonfunctioning oral tube – check for punctures in the tube itself.
- A leaking cell – perform the Leak Test in “Every Three Months,” page 19.

If your PFD exhibits any of the above, contact your Mustang dealer for professional servicing or contact Mustang Survival.

COMMERCIAL TRAINING CONTENT AND PROCEDURE

This training section is provided for the use of operational crews, to relay important information on the safe use and care of an inflatable work vest. A user of this device must be over 16 years of age, with a chest range of 30-52 inches (76-132 cm) weighing over 80 pounds (36 kg).

This section will detail what a user needs to know to use this inflatable work vest (and maintain it if designated to do so). The following information should be read by each user to ensure understanding of how this inflatable PFD works. (Operators may wish to designate certain individuals to maintain the PFDs.)

USE

- Inflation methods
- How to put on (don) the device
- How to remove the device
- Deflation
- Stowage
- User warnings and cautions

MAINTENANCE

- Re-arming
- Repacking
- Maintenance and care

Depending on the application, it is each user's and each operator's responsibility to ensure the inflatable work vest is fit for use and is serviceable. This vest is designed to be more comfortable and less restrictive to wear than a foam vest, but **it will not float you unless inflated.**

The MD3188v02 features Hydrostatic Inflator Technology (HIT)[™], which reduces instances of inadvertent inflation due to moisture or spray. The inflator must be submerged in at least four inches of water before it automatically inflates. See "Visual Inspection and Readiness Checklist," page 4, to ensure it will inflate as anticipated in an emergency situation.

Inflation Methods

Read “Inflating your PFD,” page 7. This section details the three recommended methods to inflate the device to provide buoyancy to the user. Additionally, read the section entitled “How and Why to Test Your PFD,” page 26.

How to Put on (Don) the Device

Read “Putting on (Donning) Your PFD,” page 6, to learn how to don the device without leaving loose ends, which are a snag hazard.

How to Remove the Device

Read “Removing Your PFD,” page 7, to learn how to remove the device quickly.

Deflation

Read “Deflating Your PFD,” page 9, to learn how to remove the gas or air from the device once it has been inflated.

Stowage

Read “Cleaning and Stowage of Your PFD,” page 21.

User Warnings and Cautions

- Always wear your PFD when underway unless you are inside a cabin. This is a requirement for commercial approval and is strongly advised for all users.
- This inflatable PFD must be worn and be serviceable to satisfy work vest requirements.
- Weak or non-swimmers should not use this device. In the case when oral inflation is the only means to obtain flotation, users must be able to keep their heads above water long enough to orally inflate the device.
- Do not use below freezing. When the temperature is below freezing, a fully discharged cylinder may not quickly or adequately inflate your PFD.
- Do not fasten the device to a boat unless the attachment is capable of being pulled free, such as a kill switch.
- Do not wear this device under clothing, as inflation under clothing will restrict breathing or may otherwise injure you.

- Always have re-arm kits (MA5283) available to service your PFD.
- Check the date of the inflator cap to ensure it has not expired.
- If you need to jump from any height, always fold your arms over your chest to keep the PFD in place when entering the water.
- Avoid unnecessary exposure to sunlight. Sunlight will degrade the performance of the textile components.
- Use extreme caution around sharp objects.
- Avoid all unnecessary activities that will be abrasive to the device.
- When the PFD is inflated by CO₂ gas, the gas will permeate through the fabric over long periods of time. Topping up the inflatable cell by oral tube may be necessary.
- Inflatable PFDs are not designed for use in white water or during other high-speed activities.
- A PFD will not protect you from impact.
- Dropping this PFD in water may result in inadvertent inflation.
- Inadvertent inflation in a tight space may damage the PFD.

Re-arming

Read “Re-arming Your PFD,” page 10.

Repacking

Read “Repacking Your PFD,” page 14.

Care and Maintenance

A recommended maintenance schedule is provided in “Care and Maintenance Instructions,” page 18.

Service Record and Inspection Log Procedure

Test this device at the beginning of each season and service annually. Refer to “Inspection and Maintenance Schedule,” page 18. Record annual inspections on the Service Record label on the PFD. Every five years, write an asterisk (*) next to the date to show five year maintenance (example log is shown). Space is provided on the label to record the user’s name, date maintained, and the initials of the person who inspected and serviced the PFD. This record must be maintained and made available at all times for inspection to meet carriage requirements.

Date	Service / Initials
Jan 2014	Ann. inspec. / CS
Jan 2015	Ann. inspec. / CS
Jan 2016	Ann. inspec. / DB
Jan 2017	Ann. inspec. / DB
Jan 2018*	Ann. inspec. / SG
Jan 2019	Ann. inspec. / SG
Jan 2020	Ann. inspec. / SG

WHY ARE PFDs REQUIRED SAFETY EQUIPMENT?

Drowning is the leading cause of fatalities involving recreational and commercial vessels. A PFD provides flotation to help keep your head above water, help you to stay face up in the water, and increase your chances for survival and rescue. Most adults only need an extra 7 to 12 pounds (3.2 to 5.5 kg) of flotation to keep their heads above water. The proper size PFD will properly support the weight of the wearer.

Since this inflatable PFD does not have inherent buoyancy, it provides flotation only when inflated. Familiarize yourself with the use of this PFD so you know what to do in an emergency.

HOW AND WHY TO TEST YOUR PFD

Inflate your PFD and try it out in the water to:

Make sure it floats you:

- Comfortably (when worn properly)
- Adequately for expected wave conditions (body shapes / densities affect performance)

Make sure it works:

- A flow of bubbles should not appear (see “Care and Maintenance Instructions for Leak Test,” page 19). It should inflate quickly and easily.

Learn how it works by:

- Activating the CO₂ inflation system
- Re-arming the CO₂ inflation system
- Using the oral inflator tube

HOW TO TEST YOUR PFD USING THE AUTOMATIC INFLATOR

The US Coast Guard recommends that you purchase at least two spare re-arming kits (MA5283).

- A1.** To test your inflatable PFD, you will need your fully armed PFD, and the re-arming kit (MA5283) approved for your PFD.
- A2.** Put on the PFD.
- A3.** Get into shallow water, just deep enough that you can stand with your head above the surface. Once the inflator is underwater, four inches or so, the PFD should fully inflate automatically within five seconds.
- A4.** See if the PFD will float you on your back or just slightly back of vertical. In a relaxed floating position, verify that your mouth is well above the water’s surface. Note the effect of where you hold your legs on how you float.
- A5.** Get out of the water and remove the PFD.
- A6.** Deflate the PFD by depressing the oral inflator valve (see “Deflating Your PFD,” page 9). Remove the used inflator.
- A7.** Let the PFD dry thoroughly. Re-arm (page 10) and repack (page 14) the PFD.

HOW TO TEST YOUR PFD USING THE MANUAL INFLATOR

The U.S. Coast Guard recommends that you purchase at least two spare re-arming kits (MA5283).

- M1.** To test your inflatable PFD, you will need your fully armed PFD, and the re-arming kit (MA5283) approved for your PFD.
- M2.** Put on the PFD.
- M3.** Actuate the inflation system by jerking firmly downward on the pull-tab. The PFD should fully inflate within five seconds.
- M4.** Get into shallow water, just deep enough that you can stand with your head above the surface.
- M5.** See if the PFD will float you on your back or just slightly back of vertical. In a relaxed floating position, verify that your mouth is well above the water's surface. Note the effect of where you hold your legs on how you float.
- M6.** Get out of the water and remove the PFD. Completely deflate the PFD using the oral inflator (see "Deflating Your PFD," page 9).
- M7.** Let the PFD dry thoroughly. Re-arm (page 10) and repack (page 14) the PFD.

HOW TO TEST YOUR PFD USING THE ORAL INFLATOR

WARNING: USE ONLY A PREVIOUSLY USED HYDROSTATIC INFLATOR, WITH THE SINGLE POINT STATUS INDICATOR SHOWING RED, TO PERFORM THIS TEST. DO NOT TEST WITH A FULLY ARMED HYDROSTATIC INFLATOR AS DOUBLE INFLATION WILL OCCUR, POSSIBLY RESULTING IN DAMAGE TO THE PFD.

- O1.** No spare parts or re-arming kits are needed to test your PFD.
- O2.** Review the oral inflation instructions (page 8) regarding break-out zippers.
- O3.** Put on the PFD.
- O4.** Get into shallow water, just deep enough that you can stand with your head above the surface.
- O5.** If you are a weak swimmer or non-swimmer, inflate the PFD partially so that you are supported well enough to be able to complete inflation, either orally or manually, without touching bottom. Note this level of inflation because it is the minimum needed for you to safely use this PFD.
- O6.** Fully inflate the PFD using the oral inflator.

- 07. See if the PFD will float you on your back or just slightly back of vertical. In a relaxed floating position, verify that your mouth is well above the water's surface. Note the effect of where you hold your legs on how you float.
- 08. Get out of the water and remove the PFD. Completely deflate the PFD using the oral inflator (see "Deflating Your PFD," page 9).
- 09. Let the PFD dry thoroughly. Re-arm (page 10) and repack (page 14) the PFD.

WEAR YOUR PFD

In approximately 80 percent of all boating fatalities, the victims were not wearing a PFD. Most fatal accidents happen on calm sunny days. This inflatable PFD is much more comfortable to wear than other PFD types. Get into the habit of wearing this PFD. Non-swimmers and children especially should wear a hybrid or non-inflatable PFD at all times when on or near the water.

HYPOTHERMIA

Prolonged exposure to cold water causes a condition known as hypothermia – a substantial loss of body heat – which leads to exhaustion and unconsciousness. Most drowning victims first suffer from hypothermia. The following chart shows the effects of hypothermia.

HOW HYPOTHERMIA AFFECTS MOST ADULTS

Water Temperature °F (°C)	Exhaustion or Unconsciousness	Expected Time of Survival
32.5 (0.3)	Under 15 min.	Under 15–45 min.
32.5–40 (0.3–4)	15–30 min.	30–90 min.
40–50 (4–10)	30–60 min.	1–3 hrs.
50–60 (10–16)	1–2 hrs.	1–6 hrs.
60–70 (16–21)	2–7 hrs.	2–40 hrs.
70–80 (21–27)	2–12 hrs.	3 hrs. to Indefinite
over 80 (over 27)	Indefinite	Indefinite

PFDs can increase survival time because they allow you to float without using energy treading water and because of their insulating properties. Naturally, the warmer the water, the less insulation you will require. When operating in cold waters (below 60°F [15.6°C]) you should consider using a coat or jacket style PFD or a Type V Thermal Protective PFD as they cover more of the body than the vest or belt style PFDs.

Some points to remember about hypothermia protection:

1. Always wear your inflatable PFD. Even if you become incapacitated due to hypothermia, the PFD will keep you afloat and greatly improve your chances of rescue.
2. Do not attempt to swim unless it is to reach a nearby craft, fellow survivor, or a floating object on which you can lean or climb. Swimming increases the rate of body heat loss. In cold water, drown-proofing methods that require putting your head in the water are not recommended. Keep your head out of the water. This will greatly lessen heat loss and increase your survival time.
3. Use the standard Heat Escape Lessening Position (HELP) when wearing an inflatable PFD, drawing the legs up to a seated position, because doing so will help you conserve body heat (Fig. 32).
4. Keep a positive attitude about your survival and rescue. This will improve your chances of extending your survival time until rescued. Your will to live does make a difference!
5. If there is more than one person in the water, huddling is recommended while waiting to be rescued. This action tends to reduce the rate of heat loss and thus increase the survival time.



FIGURE 32 HELP

EACH OF THESE DEVICES IS INTENDED TO HELP YOU SAVE YOUR LIFE

For your inflatable PFD to function properly, follow these suggestions to verify that it fits, floats, and remains in good condition.

1. Check the single point status indicator before each use.
2. Get in the habit of re-arming the inflation mechanism right after each inflation.
3. Try your PFD on and adjust it until it fits comfortably in and out of the water.
4. Mark your PFD with your name if you are the only wearer.
5. Do not alter your PFD. If it doesn't fit properly, get one that does. An altered device is no longer Coast Guard approved.
6. Your PFD is not intended for use as a fender or kneeling pad.
7. If your PFD is wet, allow it to dry thoroughly before storing it. Store it in a well-ventilated area.
8. Do not dry your PFD in front of a radiator or other source of direct heat.

INFLATABLE PFD SAFETY ACCESSORIES

The MA5283 Re-arm Kit contains a 33-gram replacement CQ cylinder with inflator body, a new manual/automatic inflator cap with black locking ring and manual pull-tab, a metal key, and re-arming instructions.

ADDITIONAL INFORMATION

If you need more information about PFDs and safe boating, contact your state boating authority, U.S. Coast Guard Auxiliary, U.S. Power Squadron, Red Cross, or your nearest unit of the U.S. Coast Guard; or call the free boating course number 1-800-336-BOAT (in Virginia, call 1-800-245-BOAT).

DO NOT ATTACH PFDs TO YOUR BOAT

Each PFD has straps, hooks, buckles, or other means for securing the device in place on the wearer. Some PFDs also incorporate decorative D-rings or tabs. Such items are not to be used to attach the device to the boat. Attaching the device to the boat will not permit it to perform as intended.

AIRLINE OPERATOR POLICY ON CARRIAGE OF INFLATABLE PFDs AND CO₂ CARTRIDGES

Please be aware that the following regulations apply to the air transport of this product. According to U.S. Research and Special Programs Administration Regulations Title 49 CFR 75.10(a)(25): With the approval of the aircraft operator, one small CO₂ cylinder fitted into a self-inflating jacket, plus one spare cartridge, may be carried by a passenger or crew in checked or carry-on baggage.

Please refer to the governing body's documentation, found online at <http://hazmat.dot.gov>.

MUSTANG ENGINEERED

For 50 years Mustang Survival has been engineering high-performance marine gear for military, coast guard, and rescue personnel. With a focus on applied research and field-testing, we're committed to the protection and enhancement of those who push themselves to extremes. We build gear that saves lives and fuels exploration.

www.mustangsurvival.com

DO NOT REMOVE PRIOR TO SALE.

MUSTANG SURVIVAL AND SEA HORSE DESIGN ARE ALL REGISTERED TRADEMARKS OF MUSTANG SURVIVAL CORP.