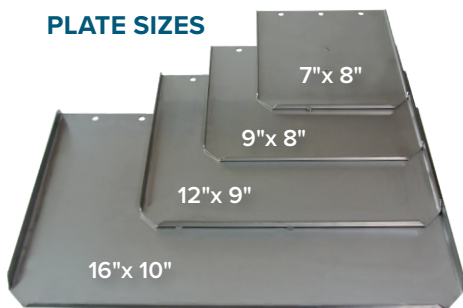


ASSEMBLED DIMENSIONS AND PARTS IDENTIFICATION

SMART TABS STAINLESS STEEL

PLATE SIZES



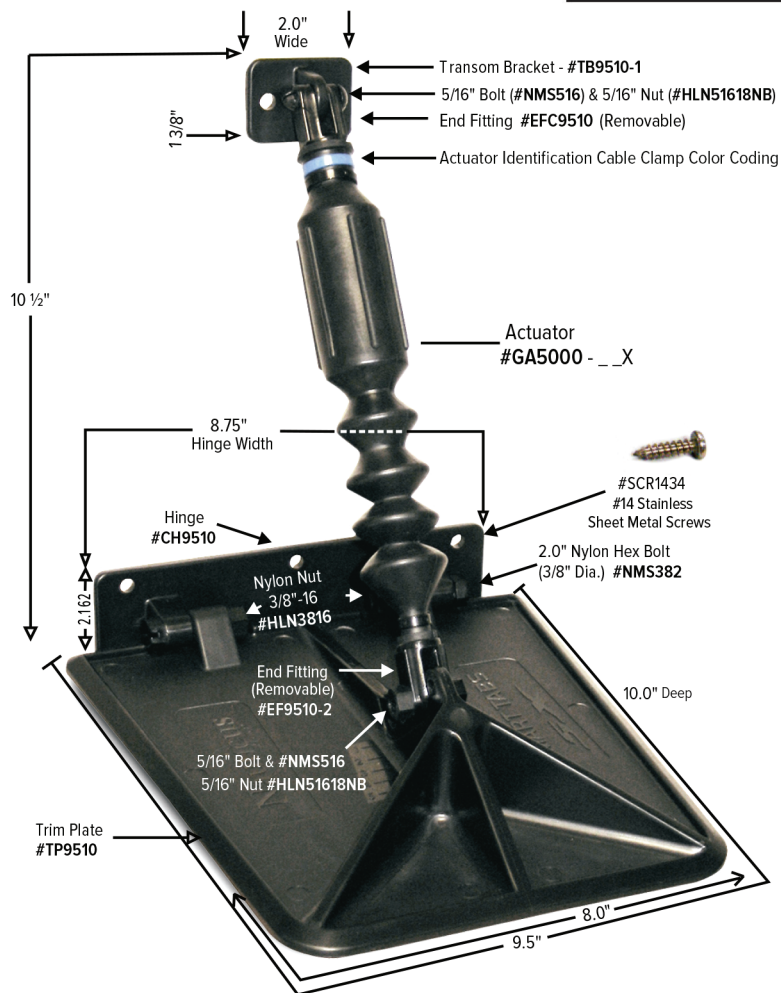
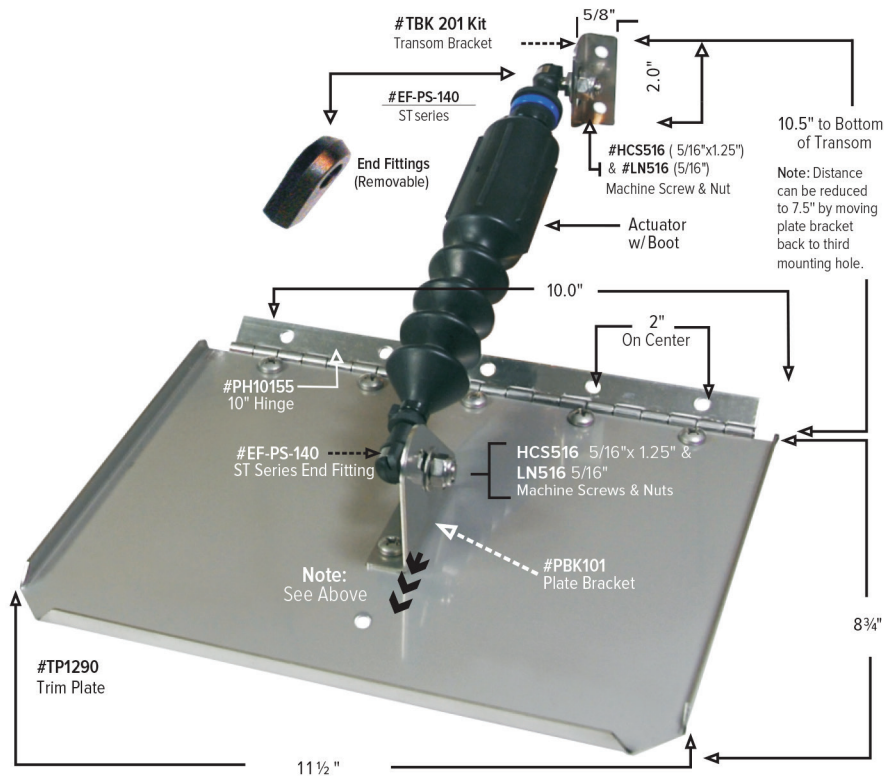
#PH10155 Plate Hinge for ST1290, MT1080, MT1175



#PH8150 Plate Hinge for ST980



#PH6150 Plate Hinge for ST780 & ST781



SMART TABS SX

Part #	Description	Qty.
TP9510	Trim Plate	2 each
CH9510	Hinge	2 each
NMS382	Machine Screw/Bolt Nylon 2.0"	4 each
HLN3816	Nut Nylon 3/8" - 16	4 each
GA5000- _ _x *	Actuator w boot & end fittings	2 each
*Insert two #'s indicating actuator pressure (ie.GA5000-60X)		
TB9510-1	Transom Bracket	2 each
NMS516	Nylon Bolt 5/16"	4 each
HLN51618NB	Nylon Nut 5/16"	4 each
SCR1434	Stainless Screws #14 x 3/4"	16 each
EF9510-2	End Fitting for Actuator Bottom	Included
EFC9510	End Fitting for Actuator Top	Included