

56W

16AWG

XGC4



RAPID RECHARGE. 56W XGC POWER ADAPTER.

DESIGNED FOR
NOCO BOOST[®]
ULTRASAFE[®] LITHIUM JUMP STARTERS.

COMPATIBLE WITH:

GB70

GB150

GB250+

GB251+

GB500+

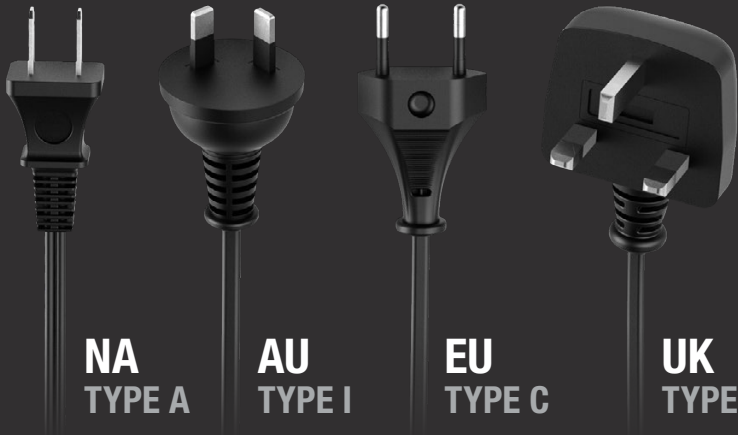
NOCO[®]

30339 Diamond Parkway, #102
Glenwillow, OH 44139 | USA
1.800.456.6626

no.co

WORLDWIDE APPLICATION. INTERCHANGEABLE AC CABLE.

Includes AC cables for Australia (Type I), Europe (Type C), North America (Type A), and the United Kingdom (Type G) to accommodate all regions where NOCO Boost units are sold.



NA
TYPE A

AU
TYPE I

EU
TYPE C

UK
TYPE G

UNIVERSAL INPUT.

The XGC4 features a universal input with a wide range of 100-240VAC 50-60Hz, designed to work anywhere in the world.



UP TO 5X FASTER.

Engineered for efficient energy transfer, the 56W output reduces charge times. The XGC4 power adapter is up to five times faster than a traditional 2-Amp USB wall or car charger.

EFFICIENT CHARGING.

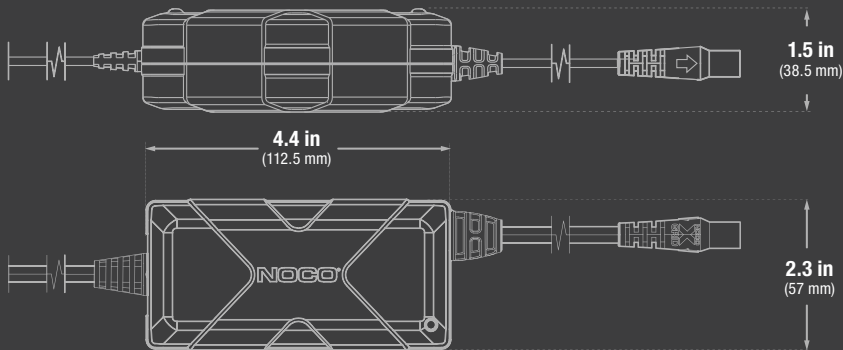
High-frequency and high-efficiency power supply designed for rapidly charging NOCO Boost and NOCO Boost Max UltraSafe Lithium Jump Starters.

ACTIVE CHARGE LIGHT.

When the green power LED is lit, it indicates the unit is charging.



DIMENSIONS



TECHNICAL SPECIFICATIONS

COMPATIBILITY:	GB70, GB150, GB250+, GB251+, GB500+	
INPUT:	100-240VAC 50-60Hz	
OUTPUT:	12V XGC	
AC CORD LENGTH:	60in (152.4cm)	
DC CORD LENGTH:	60in (152.4cm)	
WIRE SIZE:	16 AWG	
WEIGHT:	0.83 lbs (0.37kg)	
VOLUMETRICS:	Retail Packaging: Dimensions: 8.5" x 4.5" x 2.9" Weight: 1.66 lbs UPC: 0-46221-17030-6	Master Carton: Dimensions: 15.4" x 9.3" x 7.8" Weight: 12.12 lbs Quantity: 6 UCC: 10046221170303
	Inner Carton: Dimensions: 8.8" x 4.8" x 3.3" Weight: 1.78 lbs	Units Per Pallet: 288 units

NOCO

30339 Diamond Parkway, #102
Glenwillow, OH 44139 | USA
1.800.456.6626

no.co