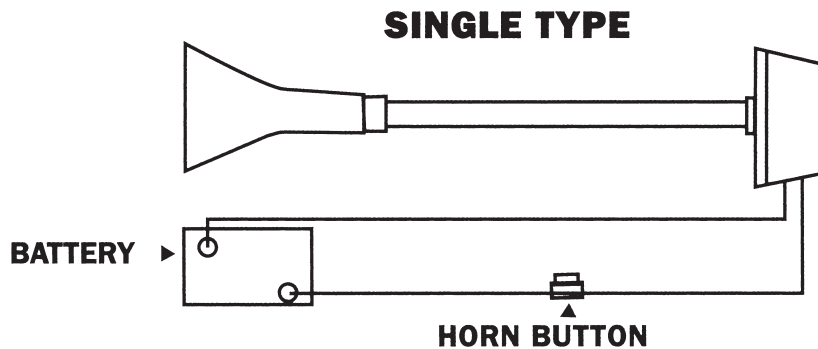


Ongaro Electric Deluxe Marine Single Trumpet Horn - 12 Volt Model # 10027 Installation Instructions

INSTALLATION:

1. Select an installation position on the boat where a minimum of spray will hit the horn when the boat is underway.
2. At the same time, select an installation position which will assure the shortest possible length of wire from the horn to the power source.
3. Use the holes in the bracket as a template for the location of the mounting points and drill holes for the bracket and wiring.
4. Insert wiring through the deck, then install the bracket to the deck surface. The trumpet should point slightly downward to permit water drainage.



Mounting Bracket Templates

