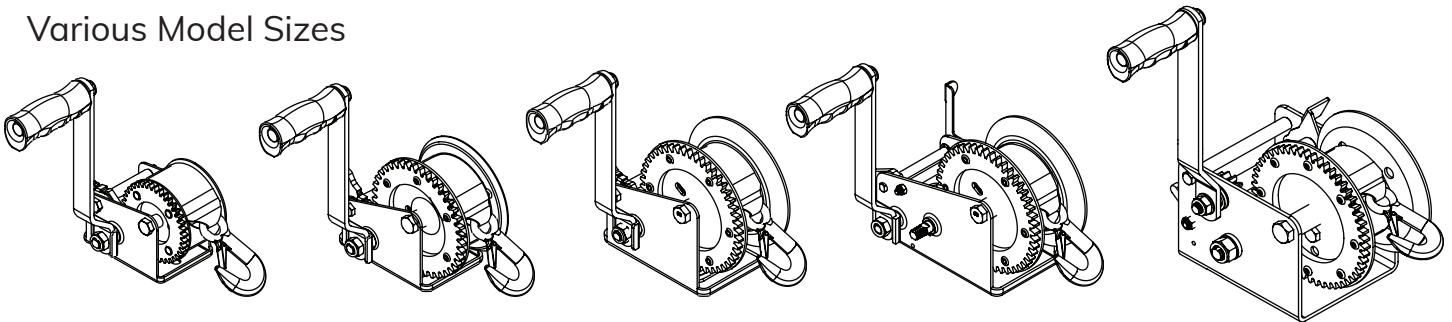


1,600 lb Model

## Various Model Sizes



Thoroughly read manual furnished with this product and be familiar with controls. Do not allow individuals to operate winch without understanding safe operation and procedures for equipment.

# PROPRIETARY STATEMENT

The Powerwinch Utility Series Trailer Winches are a product of Marmon Power Systems, located in Fairview, Tennessee, USA. The information contained or disclosed in this document is considered proprietary to Marmon Power Systems. Every effort has been made to ensure that the information presented in this document is accurate and complete. Marmon Power Systems assumes no liability for errors or any damages resulting from the use of this document.

The information contained in this manual pertains to the current configuration of the models listed on the title page. Earlier model configurations may differ from the information given. Marmon Power Systems reserves the right to cancel, change, alter or add any parts and assemblies, described in this manual, without prior notice.

Marmon Power Systems agrees to allow the reproduction of this document for use with Marmon Power Systems products only. Any other reproduction or translation of this document in whole or part is strictly prohibited without prior written approval from Marmon Power Systems.

# TABLE OF CONTENTS

<b>SAFETY INFORMATION</b> .....	<b>iii</b>
<b>SPECIFICATIONS</b> .....	<b>iv</b>
<b>INSTALLATION</b> .....	<b>1</b>
MOUNTING UNIT.....	1
ATTACHING HANDLE.....	1
<b>OPERATION</b> .....	<b>2</b>
LOADING.....	2
UNLOADING.....	2
<b>ROUTINE MAINTENANCE</b> .....	<b>3</b>
LUBRICATION.....	2
REPLACING STRAP.....	3
<b>WARRANTY</b> .....	<b>4</b>

## SAFETY INFORMATION

The following Safety Precautions MUST be followed at ALL Times. Failure to follow the warnings and cautions in this manual could result in serious injury and/or property damage.

**⚠ WARNING** This product can expose you to chemicals including chromium which is known to the state of California to cause cancer or birth defects or other reproductive harm. For more information visit [www.P65warnings.ca.gov](http://www.P65warnings.ca.gov).

**⚠ CAUTION** ALWAYS block vehicle wheels to help prevent vehicle from moving when pulling a load with winch.

**⚠ CAUTION** NEVER use winch to pull, lift, or move people or animals.

**⚠ CAUTION** NEVER use winch for any type of lifting, including overhead.

**⚠ CAUTION** NEVER attempt to pull a load greater than rated load of winch.

**⚠ CAUTION** ALWAYS stand away from winch during operation. To avoid personal injury and property damage, clear area around and behind boat of people, animals and obstructions before loading or unloading boat.

**⚠ CAUTION** NEVER wear loose fitting clothes, scarves, ties or jewelry when operating winch. Loose clothing can become caught in moving parts.

**⚠ CAUTION** NEVER use the winch if any damage is found. Strap is to be replaced before next use. Strap must be inspected for damage prior to use.

**⚠ CAUTION** NEVER use winch for securing loads. Properly rated tie downs or chains must be used.

**⚠ CAUTION** NEVER use the winch to secure boat to trailer. Winch is only intended for pulling boat onto trailer. Proper safety rated boat tie downs or latches must be used to secure boat to trailer for transport. Refer to the boat or trailer manufacturer for more information.

**⚠ CAUTION** NEVER release load without securing crank arm.

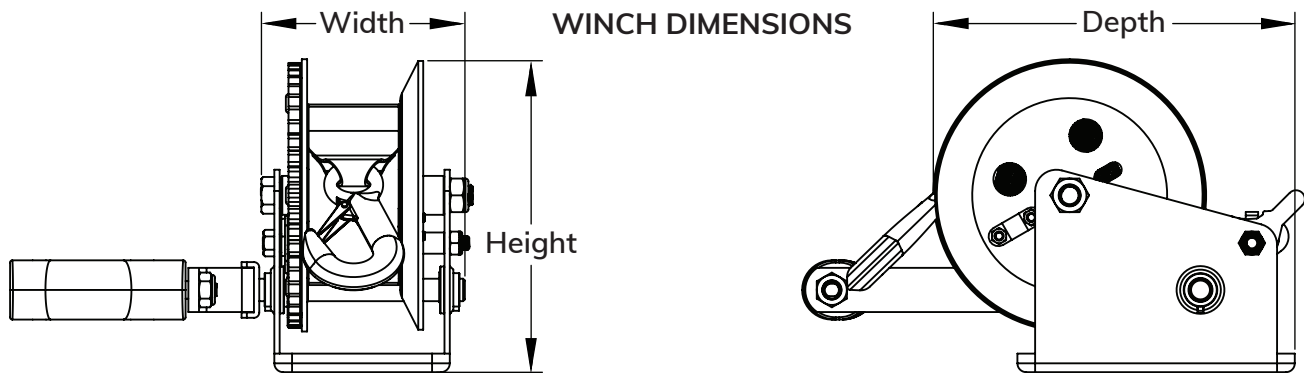
**⚠ CAUTION** NEVER place hands inside of winch while in use. Doing so could cause fingers to be pinched or crushed.

**⚠ CAUTION** ALWAYS maintain firm grip on handle at all times while moving load. Handle can spin freely and cause severe injury or death if not properly secured.

**⚠ CAUTION** ALWAYS ensure all (3) mounting bolts are properly torqued prior to use. Bolt torques should be routinely checked with normal trailer maintenance.

# SPECIFICATIONS

Model Type	Part Number	Capacity	Crank Arm Length	Speed	Gear Ratio	Three or Two Position
Utility Series 600	21500-W-0600-6-Z-R	600 lb	6"	One Speed	3.2 : 1	THREE: Forward, Reverse, Free
Utility Series 800	21500-W-0800-6-Z-R	800 lb	6"	One Speed	3.2 : 1	THREE: Forward, Reverse, Free
Utility Series 1000	21500-W-1000-8-Z-R	1000 lb	6" or 8"	One Speed	4.1 : 1	THREE: Forward, Reverse, Free
Utility Series 1200	21500-W-1200-8-Z-R	1200 lb	6" or 8"	One Speed	4.1 : 1	THREE: Forward, Reverse, Free
Utility Series 1400	21500-W-1400-8-Z-R	1400 lb	6" or 8"	One Speed	4 : 1	THREE: Forward, Reverse, Free
Utility Series 1600	21500-W-1600-8-Z-R	1600 lb	6" or 8"	One Speed	4 : 1	THREE: Forward, Reverse, Free
Utility Series 1800	21500-W-1800-8-Z-R	1800 lb	6" or 8"	Two Speed	HIGH: 4 : 1 LOW: 8.1 : 1	THREE: Forward, Reverse, Free
Utility Series 2000	21500-W-2000-8-Z-R	2000 lb	6" or 8"	Two Speed	HIGH: 4 : 1 LOW: 8.1 : 1	THREE: Forward, Reverse, Free
Utility Series 2500	21500-W-2500-8-Z-R	2500 lb	6" or 8"	Two Speed	HIGH: 4 : 1 LOW: 8.1 : 1	THREE: Forward, Reverse, Free
Utility Series 3200	21500-W-3200-8-Z-R	3200 lb	9" or 11"	Two Speed	HIGH: 4.4 : 1 LOW: 9.3 : 1	TWO: Forward & Reverse



Capacity (lb)	600	800	1000	1200	1400	1600	1800	2000	2500	3200
Depth (in)	6.48	6.48	7.74	7.74	8.52	8.52	10.14	10.14	10.14	9.41
Width (in)	4.96	4.96	5.44	5.44	5.71	5.71	5.96	5.96	5.96	8.14
Height (in)	5.10	5.10	6.58	6.58	7.48	7.48	7.60	7.60	7.60	7.71
Weight (lb)	5.47	5.41	8.25	8.25	9.6	9.6	11.5	11.5	11.5	18.74

## INSTALLATION

### MOUNTING UNIT

Winch must be mounted to a firm and flat surface that can support at least five times its rated load capacity. Mounting surface must be equal to or larger than the footprint of the winch base to ensure full contact and proper load distribution.

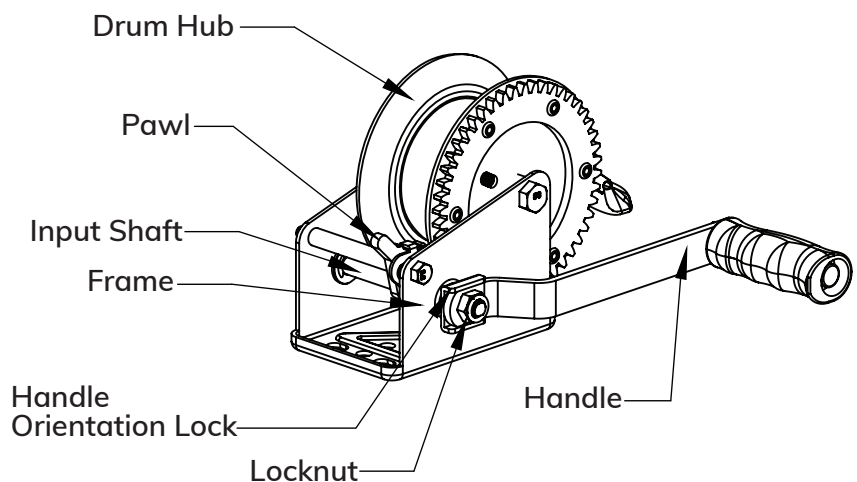
1. Ratchet switch has three positions: higher position is for pulling, lower position for releasing, and middle position is for both, but can only be used when unloading. Make sure the ratchet switch is in the middle position and pull the strap out of the way of mounting holes.
2. Secure winch in a triangle pattern using three Grade 5 bolts with a diameter of 3/8 inch, along with flat washers and lock nuts.

NOTE: Each fastener should be torqued to 20–30 ft-lbs (38–41 Nm). It is recommended to use a minimum of Grade 5 bolts. Bolt length will vary depending on application and thickness of mounting surface; ensure each bolt provides adequate thread engagement without bottoming out or protruding excessively.

3. After mounting the unit, ensure all hardware is properly tightened to specification.
4. Inspect mounting surface to ensure there is no movement, flexing, or separation between winch base and structure. Winch must be securely fastened and stable before being operated.

### ATTACHING HANDLE

1. Attach the handle onto axis bolt.
2. Tighten 1/2"-13 locknut against handle and torque to 22–25 ft-lbs (30–34 Nm).



## OPERATION

### **! WARNING**

To avoid personal injury and property damage, ALWAYS clear area around and behind boat of people, animals and obstructions before loading or unloading boat.

### **! WARNING**

NEVER stand between load or anchor point and winch. Serious personal injury could occur if strap breaks.

### **! WARNING**

NEVER use winch alone to secure boat to trailer during transit. Use separate straps or equivalent to secure boat to trailer.

## LOADING

1. Make sure strap is securely fastened to the load and winch drum.
2. Ensure that strap and attachment hardware are free from damage and rated for the intended load.
3. Put ratchet switch into the higher position and rotate handle clockwise to lift the load.  
**NOTE:** Ratchet must produce a loud clicking sound during operation. This indicates proper engagement of the ratcheting mechanism.

## UNLOADING

1. Make sure strap is securely fastened to the load and winch drum.
2. Inspect all components for damage.
3. Put ratchet switch into the lower position and rotate handle counterclockwise to release the load.  
**NOTE:** Winch handle can spin freely while releasing load, causing injury or death. Ensure winch handle is properly secured while unloading.

## ROUTINE MAINTENANCE

The following steps should be performed a minimum of once a year, every 20 uses, or when unit is placed in storage.

### LUBRICATION

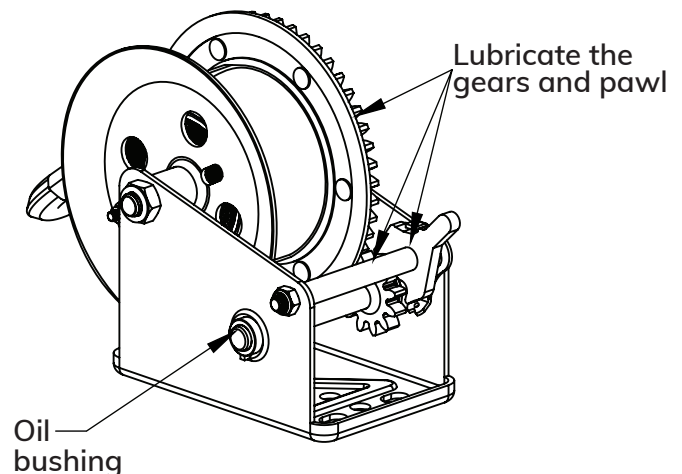
**Ratchet Pawl:** Lubricate the ratchet pawl with a high impact lithium-based grease.

**Gears:** Lubricate the gears with a high impact lithium-based grease.

**Coupling Bolts:** Ensure crank arm coupling bolts are tight.

**Mounting Bolts:** Ensure mounting bolts are tight.

**Strap:** Inspect strap for any frays or cuts. Replace immediately before next use if any damage is found.



## REPLACING STRAP

**⚠ CAUTION** ALWAYS use Powerwinch replacement strap. Winch rating and strap strength are matched for safe and optimum performance. NEVER replace strap with unapproved strap.

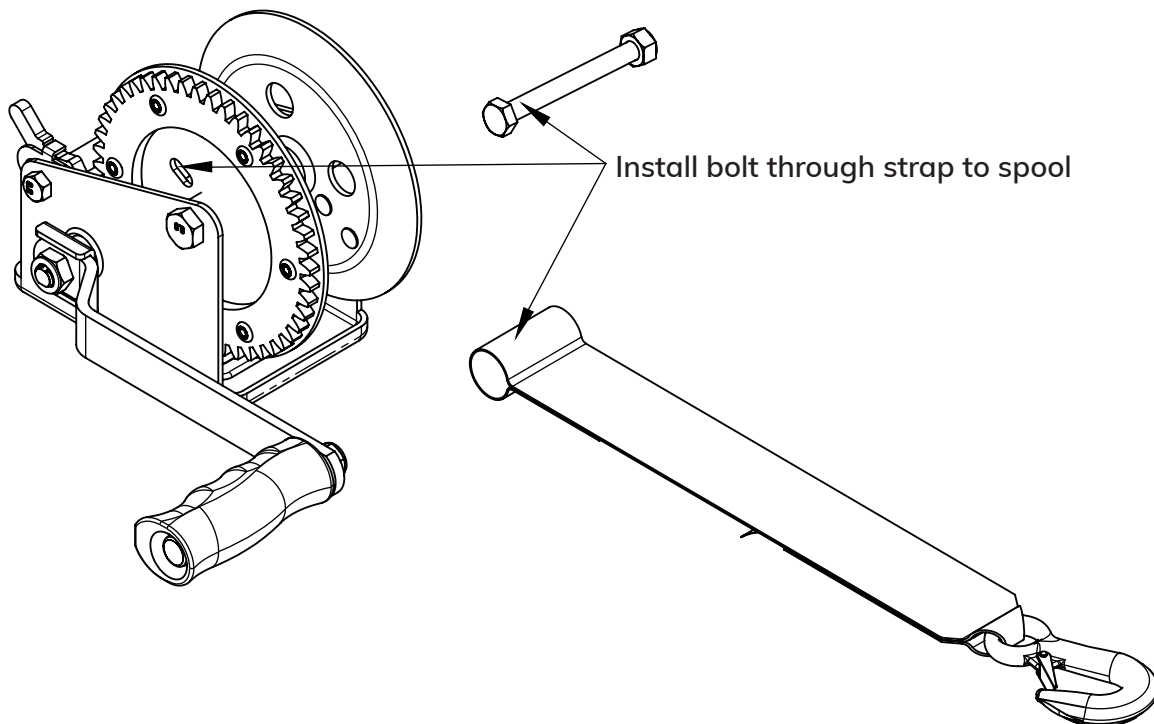
**⚠ WARNING** If strap is damaged, replace before use.

**⚠ WARNING** Not to exceed safe working load.

**⚠ WARNING** Not for securing load. Properly rated chains or tie downs must be used.

**⚠ WARNING** NEVER use winch for lifting or moving people. Not for overhead lifting.

1. Fully unspool the existing winch strap from the drum.
2. Remove the retaining bolt and nut, then detach the strap from the spool.
3. Position the new strap loop onto the spool frame and insert the bolt through the frame and strap loop.
4. Install and securely tighten the nut and bolt.
5. Maintain tension on the strap and rotate the winch handle to evenly rewind the strap onto the spool.



## WARRANTY

Marmon Power Systems warrants to the FIRST retail Purchaser that the Powerwinch Product described in this manual is free of defects in material and workmanship within the terms and conditions as set forth below. Marmon Power Systems' obligation under this warranty is limited to the repair or replacement, at Marmon Power Systems' option, of any defective component within the stated warranty period. THIS WARRANTY IS NOT TRANSFERABLE.

### 1. Duration

- a. 5 years on parts. Disassembling ratchet system voids winch replacement warranty. For winch or parts replacement warranty contact Powerwinch Technical Support prior to any disassembly.
- b. Marmon Power Systems will pay the transportation charges for return shipment to the purchaser of any product received for legitimate warranty repair.

Warranty duration is not extended by the length of time the product is not in use or the time that the purchaser is deprived the use of the product. The duration of coverage is determined by the date of the original product purchase, not the date of repairs.

### 2. What is Covered Under This Warranty?

Defects in the manufacturer's material and workmanship of product, purchased from an authorized reseller, under normal use, and which occur within the duration of the warranty period.

### 3. What is Not Covered Under This Warranty?

- a. Improper installation and/or any consequent damage or failure that results from improper installation of the product.
- b. Normal wear.
- c. Conditions that are not related to the material or workmanship of the product, including any failure that results from an accident, wind, rain, or other acts of God.
- d. Purchaser's abuse, including but not limited to neglect or failure to operate, use or maintain the product in accordance with the instructions provided with the product.
- e. Any component not sold or manufactured by Marmon Power Systems.
- f. Any failure that results from the use of another manufacturer's product with a Marmon Power Systems product that is not specifically approved by Marmon Power Systems.
- g. Any incidental, indirect, or consequential loss, damage or expense that may result from any defect, failure or malfunction of the product.
- h. The removal or alteration of any product component or device. In the event of such removal or alteration, this warranty is void.
- i. Any expense related to delivery or pick-up of product to/from the service dealer.

### 4. Responsibilities of the Purchaser

IN ORDER FOR THE WARRANTY TO BE HONORED, THE PURCHASER MUST HAVE PROOF OF PURCHASE. FAILURE TO PROVIDE THE REQUIRED DOCUMENTATION MAY DELAY OR VOID ANY WARRANTY CLAIM.

- a. Retain dated proof of purchase for the product and provide it as requested.
- b. Perform "Routine Maintenance" as specified in Owner's Manual.
- c. Use reasonable care in maintenance, operation, use, and storage of the product in accordance with the instructions contained in the owner's manual.

THIS WARRANTY GIVES THE OWNER SPECIFIC LEGAL RIGHTS. THE LAWS OF CERTAIN JURISDICTIONS MAY GRANT THE OWNER ADDITIONAL RIGHTS AND PRIVILEGES. Except as set forth above, Marmon Power Systems makes no warranty, whether statutory or otherwise, including without limitation, any warranty of merchantability or fitness for a particular purpose. Marmon Power Systems shall have no liability except to repair, replace or adjust defective products and parts. Marmon Power Systems specifically excludes any liability, whether in contract, tort or otherwise, for personal injury, property damage, economic or consequential losses. Marmon Power Systems has not authorized any person or company to alter the terms of this warranty.

It is Marmon Power Systems' policy and practice to continuously improve the company's products and services. Therefore, Marmon Power Systems reserves the right to make changes in design and components, without notice, whenever it is believed the quality of the product will be improved, but without incurring any obligation to incorporate such improvements in any product which has been shipped or in service.