

Thoroughly read manual furnished with this product and be familiar with controls. Do not allow individuals to operate winch without understanding safe operation and procedures for equipment.

PROPRIETARY STATEMENT

The Powerwinch Premier Series 2000 Trailer Winch is a product of Marmon Power Systems, located in Fairview, Tennessee, USA. The information contained or disclosed in this document is considered proprietary to Marmon Power Systems. Every effort has been made to ensure that the information presented in this document is accurate and complete. Marmon Power Systems assumes no liability for errors or any damages resulting from the use of this document.

The information contained in this manual pertains to the current configuration of the models listed on the title page. Earlier model configurations may differ from the information given. Marmon Power Systems reserves the right to cancel, change, alter or add any parts and assemblies, described in this manual, without prior notice.

Marmon Power Systems agrees to allow the reproduction of this document for use with Marmon Power Systems products only. Any other reproduction or translation of this document in whole or part is strictly prohibited without prior written approval from Marmon Power Systems.

TABLE OF CONTENTS

SAFETY INFORMATION	iii
SPECIFICATIONS	iv
WINCH SPECIFICATIONS.....	iv
INSTALLATION	1
MOUNTING UNIT.....	1
OPERATION	2
ROUTINE MAINTENANCE	3
LUBRICATION.....	3
REPLACING STRAP.....	4
TROUBLESHOOTING GUIDE.....	5
ILLUSTRATED PARTS LIST	6
WARRANTY	7

SAFETY INFORMATION

The following Safety Precautions **MUST** be followed at **ALL** Times. Failure to follow the warnings and cautions in this manual could result in serious injury and/or property damage.

⚠ WARNING This product can expose you to chemicals including nickel which is known to the state of California to cause cancer or birth defects or other reproductive harm. For more information visit www.P65warnings.ca.gov.

⚠ CAUTION ALWAYS block vehicle wheels to help prevent vehicle from moving when pulling a load with winch.

⚠ CAUTION NEVER use winch to pull, lift, or move people or animals.

⚠ CAUTION NEVER use winch for any type of lifting, including overhead.

⚠ CAUTION NEVER attempt to pull a load greater than rated load of winch.

⚠ CAUTION ALWAYS stand away from winch during operation. To avoid personal injury and property damage, clear area around and behind boat of people, animals and obstructions before loading or unloading boat.

⚠ CAUTION NEVER wear loose fitting clothes, scarves, ties or jewelry when operating winch. Loose clothing can become caught in moving parts.

⚠ CAUTION NEVER use the winch if any damage is found. Strap is to be replaced before next use. Strap must be inspected for damage prior to use.

⚠ CAUTION NEVER use winch for securing loads. Properly rated tie downs or chains must be used.

⚠ CAUTION NEVER use the winch to secure boat to trailer. Winch is only intended for pulling boat onto trailer. Proper safety rated boat tie downs or latches must be used to secure boat to trailer for transport. Refer to the boat or trailer manufacturer for more information.

⚠ CAUTION NEVER place hands inside of winch housing while in use. Doing so could cause fingers to be pinched or crushed.

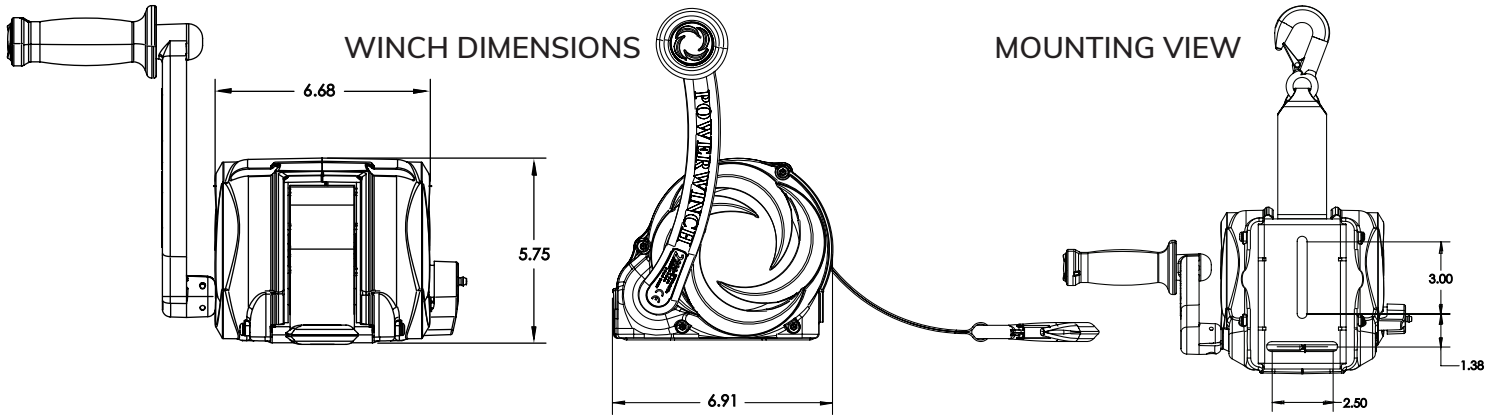
⚠ CAUTION ALWAYS maintain firm grip on handle at all times while moving load. Handle can cause spin freely and cause severe injury or death if not properly secured. Never release load without securing crank arm.

⚠ CAUTION ALWAYS ensure all (3) mounting bolts are properly torqued prior to use. Bolt torques should be routinely checked with normal trailer maintenance.

SPECIFICATIONS

WINCH SPECIFICATIONS

Model Type	Part Number	Capacity	Crank Arm Length	Gear Ratio	Three Position
Trailer Winch Black	21300-W-2000-8-B-R	2,000 lb	8"	4.75 : 1	Forward, Reverse, Free
Trailer Winch Gray	21300-W-2000-8-G-R	2,000 lb	8"	4.75 : 1	Forward, Reverse, Free



The Powerwinch Premier Series 2000 Trailer Winch is made with precision gears, plated for maximum corrosion resistance. The winch has a gear ratio of 4.75:1 to ensure easy, smooth operation, and includes a 12-tooth ratchet gear for high-resolution cranking.

Winch is designed to pull rated capacity with no more than 50 lb of force on crank arm handle. Exceeding 50 lb of force on the crank arm handle could cause winch malfunction or permanent damage.

DO NOT operate winch with less than 3 layers of strap on spool. As the layers of strap on the spool increase, pulling force will decrease.

The 2" x 20ft polyester strap has a working load capacity of 2,000 lb and a 6,000 lb breaking strength. The winch uses a patent pending dual-pawl ratcheting system for optimal load distribution. The 2-way ratchet with neutral position allows for putting in forward, reverse, and free. The winch is designed with powder-coated, die-cast aluminum covers and oversized, steel frame.

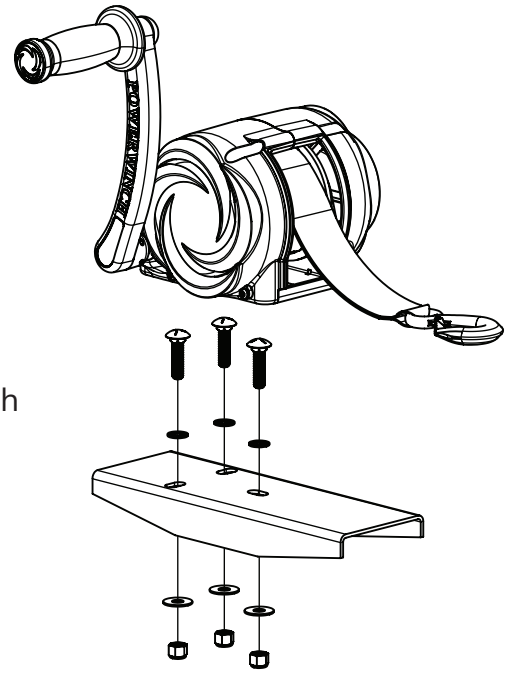
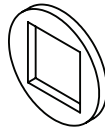
Winch has been designed and tested per SAE J1853 Standards. $\frac{3}{8}$ " mounting hardware must be used in order to comply with SAE J1853 criteria.

INSTALLATION

MOUNTING UNIT

The following instructions are for standard mounting of trailer winch. The winch can be mounted on trailer in same position and location as an existing hand winch.

1. Remove existing hand winch.
2. Position unit on trailer mount stand.
3. Confirm that winch's strap hook and bow eye on boat are at same height when boat is in fully loaded position on trailer. If bow eye is too high, extra pull is required of winch and extra stress is exerted on boat's stern and bow eye.
4. Confirm that there is a minimum of 12 inches clearance between winch and bow eye when boat is in fully loaded position. If necessary, extend bow stop to obtain clearance.
5. Align frame slots to existing trailer clearance holes.
6. Install (3) $\frac{3}{8}$ -16 carriage bolts with locking nuts through winch frame.
 - A. Note the location of the square ID washers. Washers to be installed on top of the frame beneath the head of the carriage bolt.
7. Use a $\frac{9}{16}$ wrench or ratchet to torque locking nuts from the other side of the trailer frame.



The winch should be mounted with $\frac{3}{8}$ mounting hardware to meet SAE Standard J1853 for boat trailer winches.

OPERATION

! WARNING

To avoid personal injury and property damage, ALWAYS clear area around and behind boat of people, animals and obstructions before loading or unloading boat.

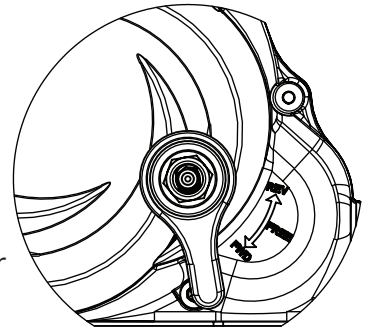
! WARNING

NEVER stand between load or anchor point and winch. Serious personal injury could occur if cable breaks.

! WARNING

NEVER use winch alone to secure boat to trailer during transit. Use separate straps or equivalent to secure boat to trailer.

The winch gear train is controlled by an internal cam connected to the knob. Rotating the knob upward allows the winch to release the load in reverse. Rotating the knob downward allows the winch to pull the load forward. This assumes that the strap is wound on the top the spool. If the strap was wound on the bottom of the spool, the opposite would be the case. If the knob is left in the center of rotation, the pawls are entirely disengaged from the gear train, and the winch can operate freely in either direction.



ROUTINE MAINTENANCE

The following steps should be performed a minimum of once a year, every 20 uses, or when unit is placed in storage.

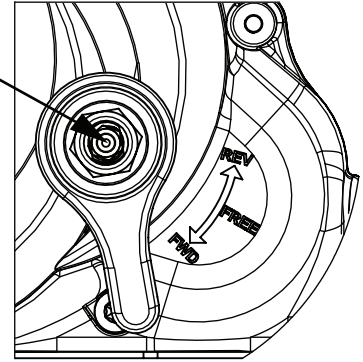
Ratchet Pawl System: Lubricate the ratchet pawl system with a high impact lithium based grease. Pawl be greased to operate.

Gears: Lubricate the gears with a high impact lithium based grease.

Coupling Bolts: Ensure crank arm coupling bolts are tight.

Mounting Bolts: Ensure mounting bolts are tight.

Strap: Inspect strap for any frays or cuts. Replace immediately before next use if any damage is found.



Disassembling the covers and ratchet system voids winch replacement warranty. For winch or parts replacement, speak with Powerwinch Technical Support prior to any disassembly.

REPLACING STRAP

⚠ CAUTION ALWAYS use Powerwinch replacement strap. Winch rating and strap strength are matched for safe and optimum performance. NEVER replace strap with unapproved strap.

⚠ WARNING If strap is damaged, replace before use.

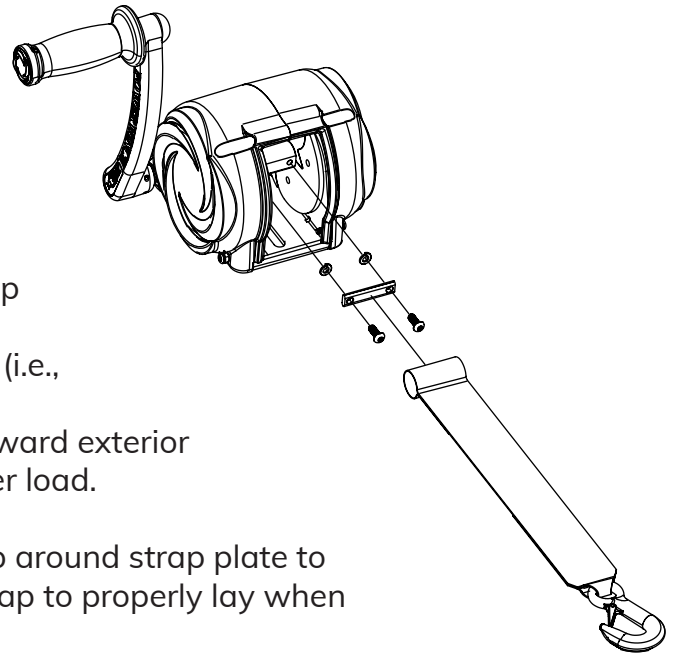
⚠ WARNING Not to exceed safe working load (2,000 lbs).

⚠ WARNING Not for securing load. Properly rated chains or tie downs must be used.

⚠ WARNING NEVER use winch for lifting or moving people. Not for overhead lifting.

1. Loosen and remove bolts with $\frac{5}{32}$ " hex key and remove strap, lock washers, and strap plate.
2. Grab the non-hook looped side of new strap, fold in edges of loop to allow adequate clearance for bolt holes in strap plate.
3. Insert Strap Plate into loop, and with fold seam of strap facing downward and the winch facing toward operator, place bolts through holes in strap plate.
4. Place split lock washer(s) on bottom side of plate (i.e., washers should be between shaft and plate).
NOTE: Make sure split of lock washer is facing toward exterior of winch to avoid tearing strap while under load.
5. Using $\frac{5}{32}$ " hex key, tighten bolts.
A. Before tightening bolts completely, rotate strap around strap plate to point towards rear of winch. This will allow strap to properly lay when winding underneath spool.

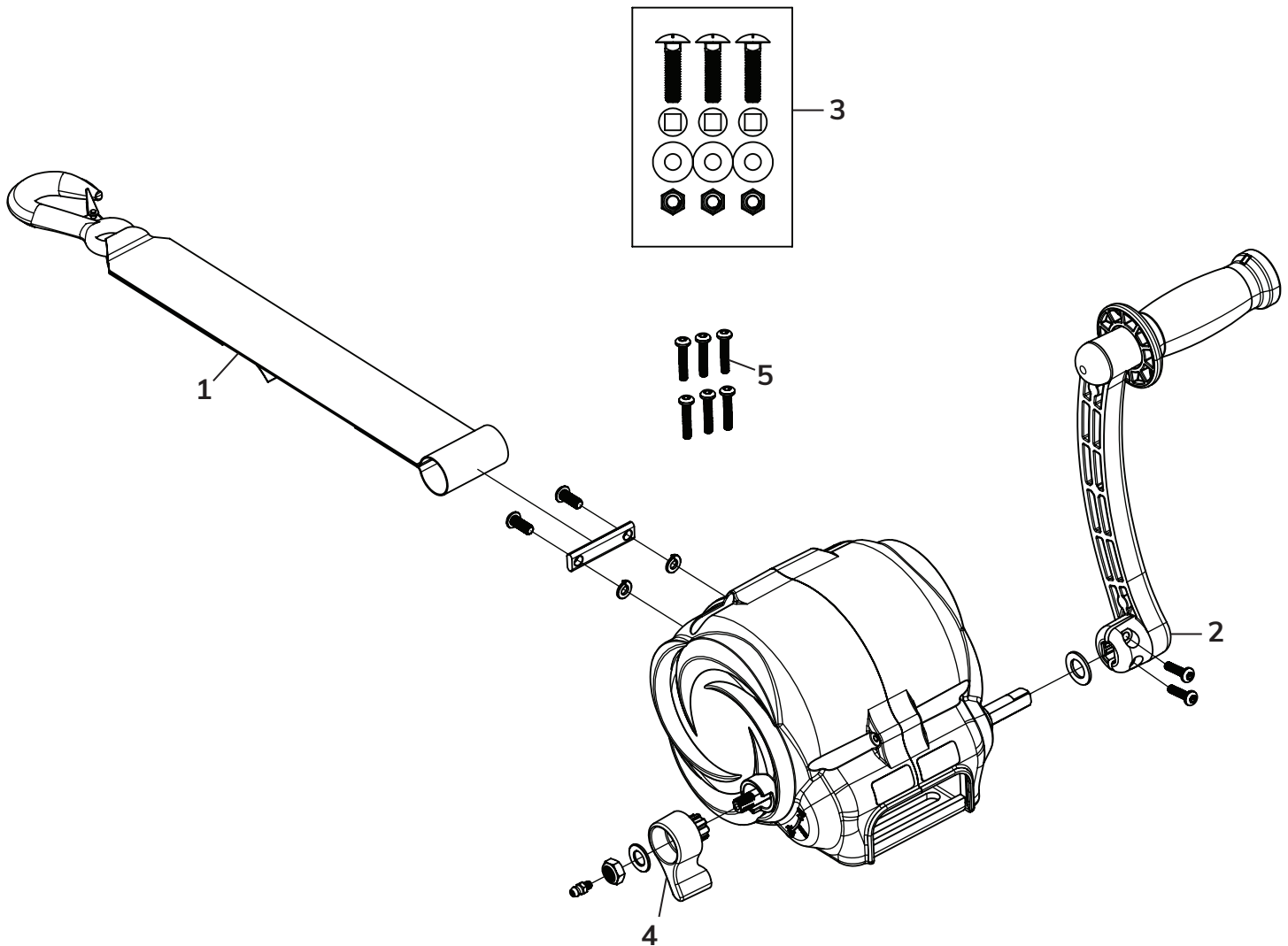
NOTE: Screw each bolt until finger tight and then tighten in small increments switching from bolt to bolt as to allow strap to tighten evenly and avoid uneven strap plate installation.



TROUBLESHOOTING GUIDE

Winch Not Secured to Frame		
A.	Ensure square washer is properly installed on top of frame.	Correct as required.
Hand Knob is Tight		
A.	Ensure ratchet system is properly greased.	Refer to routine maintenance instructions.
Strap Does Not Move		
A.	Ensure strap is sufficiently tight on spool.	Turn crank arm until the load pulls strap tight on spool.

ILLUSTRATED PARTS LIST



Disassembling the cover and ratchet system voids winch replacement warranty. For winch or parts replacement, contact Powerwinch Technical Support prior to any disassembly.

<i>Item</i>	<i>Description</i>	<i>Part Number</i>	<i>Notes</i>
1	Strap Kit	21085	
2	Crank Arm	21086	
3	Mounting Hardware	21087	
4	Cam Knob	21088	
5	Cover Mounting Hardware	21091	

WARRANTY

Marmon Power Systems warrants to the FIRST retail Purchaser that the Powerwinch Product described in this manual is free of defects in material and workmanship within the terms and conditions as set forth below. Marmon Power Systems' obligation under this warranty is limited to the repair or replacement, at Marmon Power Systems' option, of any defective component within the stated warranty period. THIS WARRANTY IS NOT TRANSFERABLE.

1. Duration

- a. 5 years on parts. Disassembling the cover and ratchet system voids winch replacement warranty. For winch or parts replacement warranty contact Powerwinch Technical Support prior to any disassembly.
- b. Marmon Power Systems will pay the transportation charges for return shipment to the purchaser of any product received for legitimate warranty repair.

Warranty duration is not extended by the length of time the product is not in use or the time that the purchaser is deprived the use of the product. The duration of coverage is determine by the date of the original product purchase, not the date of repairs.

2. What is Covered Under This Warranty?

Defects in the manufacturer's material and workmanship of product, purchased from an authorized reseller, under normal use, and which occur within the duration of the warranty period.

3. What is Not Covered Under This Warranty?

- a. Improper installation and/or any consequent damage or failure that results from improper installation of the product.
- b. Normal wear.
- c. Conditions that are not related to the material or workmanship of the product: including any failure that results from an accident, wind, rain, or other acts of God.
- d. Purchaser's abuse, including but not limited to neglect; failure to operate, use or maintain the product in accordance with the instructions provided with the product.
- e. Any component not sold or manufactured by Marmon Power Systems.
- f. Any failure that results from the use of another manufacturer's product with a Marmon Power Systems product that is not specifically approved by Marmon Power Systems.
- g. Any incidental, indirect, or consequential loss, damage or expense that may result from any defect, failure or malfunction of the product.
- h. The removal or alteration of any product component or device. In the event of such removal or alteration, this warranty is void.
- i. Any expense related to delivery or pick-up of product to/from the service dealer.

4. Responsibilities of the Purchaser

IN ORDER FOR THE WARRANTY TO BE HONORED, THE PURCHASER MUST HAVE PROOF OF PURCHASE. FAILURE TO PROVIDE THE REQUIRED DOCUMENTATION MAY DELAY OR VOID ANY WARRANTY CLAIM.

- a. Retain dated proof of purchase for the product, and provide it as requested.
- b. Perform "Routine Maintenance" as specified in Owners Manual.
- c. Use reasonable care in maintenance, operation, use and storage of the product in accordance with the instructions contained in the owner's manual.

THIS WARRANTY GIVES THE OWNER SPECIFIC LEGAL RIGHTS. THE LAWS OF CERTAIN JURISDICTIONS MAY GRANT THE OWNER ADDITIONAL RIGHTS AND PRIVILEGES. Except as set forth above; Marmon Power Systems makes no warranty, whether statutory or otherwise, including without limitation, any warranty of merchantability or fitness for a particular purpose. Marmon Power Systems shall have no liability except to repair, replace or adjust defective products and parts. Marmon Power Systems specifically excludes any liability, whether in contract, tort or otherwise, for personal injury, property damage, economic or consequential losses. Marmon Power Systems has not authorized any person or company to alter the terms of this warranty.

It is Marmon Power Systems' policy and practice to continuously improve the company's products and services. Therefore, Marmon Power Systems reserves the right to make changes in design and components, without notice, whenever it is believed the quality of the product will be improved, but without incurring any obligation to incorporate such improvements in any product which has been shipped or in service.

For Your Records

Dealer/Installer

NAME: _____

ADDRESS: _____

PHONE: _____

PURCHASE DATE: _____

PART NUMBER: _____

SERIAL NUMBER: _____

PRODUCT NAME/ _____

DESCRIPTION: _____

***Retain your original proof of purchase.
It is required for all warranty repairs and returns.***