

Turbine Series - 500MA/500MAM

FUEL

Specifications:

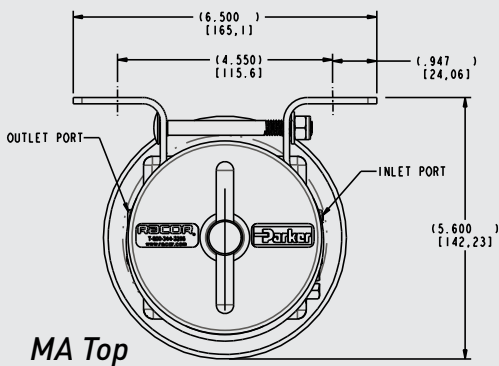
Height: MA - 10.82" (27.48 cm)
 MAM - 10.77" (27.36 cm)
Width: 4.15" (10.5 cm)
 with Bracket 6.5" (16.51 cm)
Depth: 4.15" (10.5 cm)
 with Bracket 5.17" (13.13 cm)
Weight: MA - 4.0 lbs (1.8 kg)
 MAM - 5.0 lbs (2.2 kg)
Ports: 3/4"-16 UNF (SAE J1926)
Service Clearance (Top): 4.0" (10.16 cm)
Vacuum Installation Recommended
Maximum Pressure: 15 psi (1.03 bar)
Max Flow Rate: 60 gph (227 lph)

Create a Part Number

Housing Type	Assembly Options	Filtration Rating
Turbine Model - Marine Standard 3/4"-16 Ports Clear Bowl/Heat Shield	Metal Bowl Option	2 micron 10 micron 30 micron
500MA	M	2 10 30

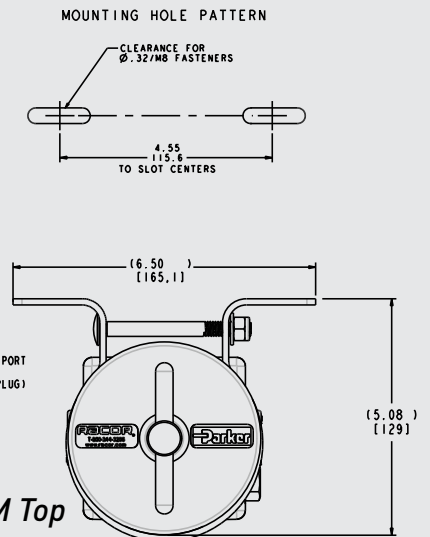
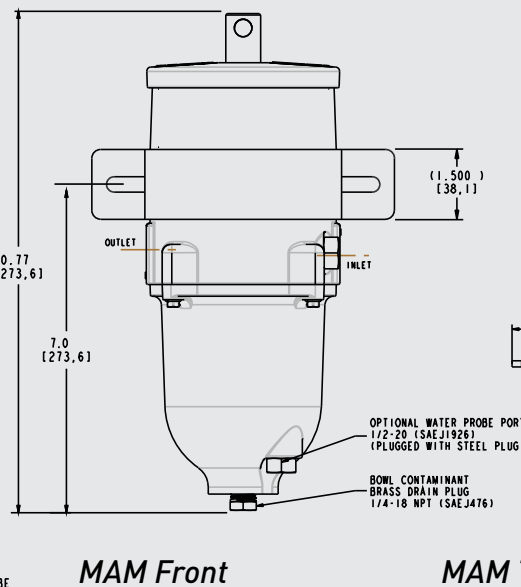
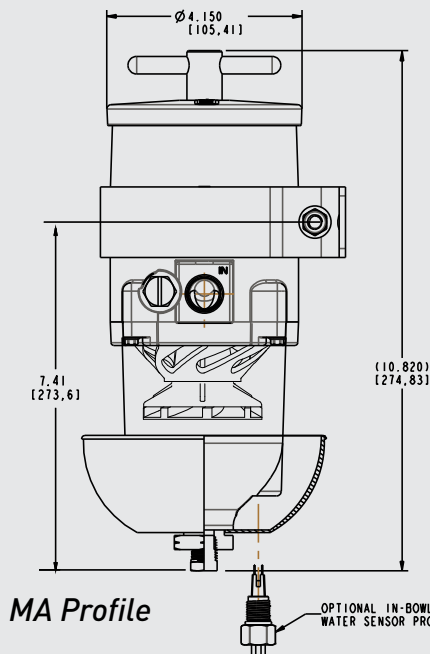
RACOR®

Dimensions:



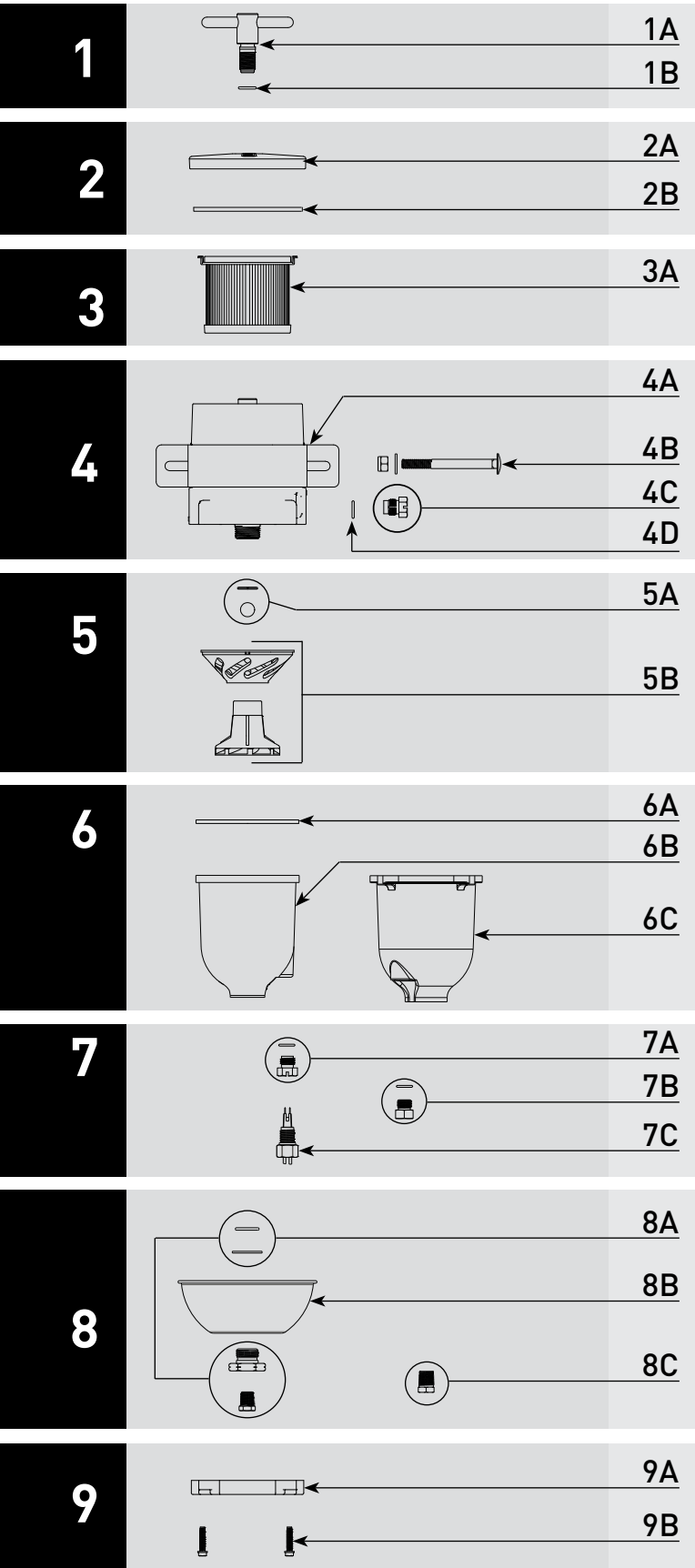
ASSEMBLY	DESCRIPTION
500MA2	Marine - 500 Turbine Assy., 2 micron Filter
500MA10	Marine - 500 Turbine Assy., 10 micron Filter
500MA30	Marine - 500 Turbine Assy., 30 micron Filter
500MAM2	Marine - Metal Bowl - 500 Turbine Assy., 2 micron Filter
500MAM10	Marine - Metal Bowl - 500 Turbine Assy., 10 micron Filter
500MAM30	Marine - Metal Bowl - 500 Turbine Assy., 30 micron Filter

SINGLE ASSEMBLY



PARTS

Turbine - 500MA/500MAM



Part #	Description	
1A	RK23183 RK19671	T-handle Kit - Includes 1B Optional - T-handle Vacuum Gauge Kit - For 500MA/MAM Assemblies Manufactured After 2002
	1B	T-handle O-ring
2A	RK15078-02	500MA/MAM Lid Kit - Includes 1B and 2B
2B		Lid Gasket - Included in 10A
3A	2010SM-OR	Replacement Element 2 micron - Includes 1B and 2B
	2010TM-OR	Replacement Element 10 micron - Includes 1B and 2B
	2010PM-OR	Replacement Element 30 micron - Includes 1B and 2B
4A	RK15441-01	Clamp Bracket Kit - Includes (1) Bolt, (1) Washer, and (1) Nut
4B	RK 11838	Carriage Bolt Kit - Includes (2) Bolt, (2) Washer, and (2) Nut
4C	RK 11-1679	Feed-thru Plug Kit - Includes 4D
4D		Plug O-ring - Included in 10A
5A	RK 15010B	Checkball and Gasket Kit
5B	RK 15013D	Centrifuge and Baffle Kit - Includes 5A and 6A
6A		Bowl Gasket - Included in 10A
6B	RK 15279-01	Bowl Kit (Clear) - Includes 6A, 7A and 8A Seal/Gasket
6C	RK 15301-02	Bowl Kit (Metal) - Includes 6A, 7B, 8C and 9B
7A	RK 20126	Bowl Plug Kit (MA) - Nylon - 1/2"-20 UNF
7B	RK 20022	Bowl Plug Kit (MAM) - Metal - 1/2"-20 UNF
7C	RK 21069	WIF Probe Kit - 1/2"-20 UNF - 2-wire (MA) - Requires 10B
	RK23191	WIF Probe Kit (Stainless Steel) - 1/2"-20 UNF - 2-wire (MAM) - Requires 10B
8A	RK 11-1910	Drain Plug Kit (MA)
8B	RK 15104	Heat Deflector (MA) - Includes 8A
8C		Drain Plug (MAM) - Contact Technical Support
9A	RK 15035-01	Bowl Ring - (For MA Only - White) Includes 6A
9B	RK 15081	Bowl Fasteners (set of 4)

Accessories and Parts Available (Not Shown)

10A	RK 15211	Complete Seal Service Kit - 500 Series Filters
10B	RK 14329	Water Detection Module - 12 vdc
	RK 14321	Water Detection Module - 24 vdc
10C	RK 19492	Shut-off Valve Drain Kit - UL Listed

