

Gasoline Spin-On - 120R-RAC Series

FUEL

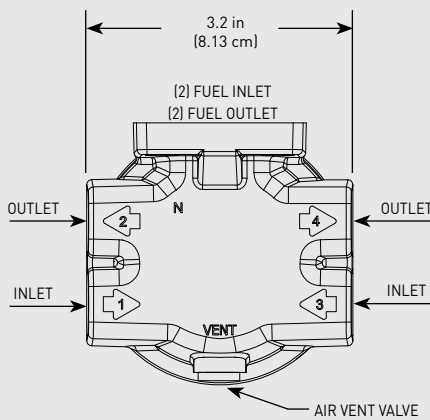
Specifications:

Height: 120R-RAC-01: 6.52" (16.56 cm)
 120R-RAC-02: 5.72" (14.54 cm)
Width: 3.2" (8.13 cm)
Depth: 3.2" (8.13 cm)
Weight (Dry): 120R-RAC-01: 1.25 lbs (0.56 kg)
 120R-RAC-02: 1.34 lbs (0.60 kg)
Fuel Flow Rate: 30 gph (114 lph)
Ports: 1/4-18 NPTF
Service Clearance: 2.0" (5.1 cm)

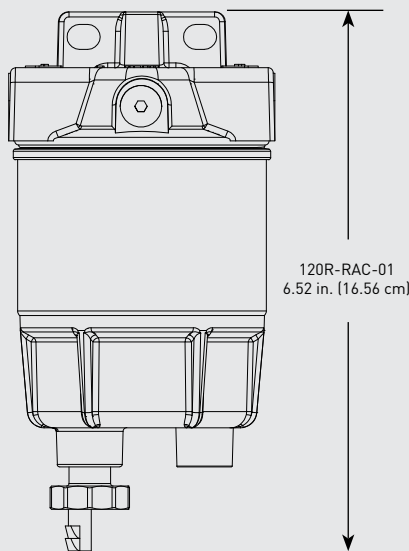
Create a Part Number

Mounting Head	Bowl Material	
4 Fuel Ports 30 gph (114 lph) Marine Gasoline	Clear Bowl - Outboard Only	Metal Bowl - Inboard/Outboard
120R-RAC	-01	-02

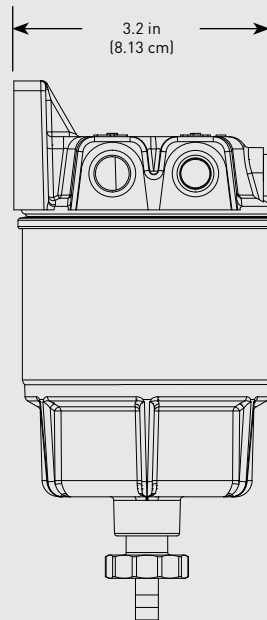
Dimensions:



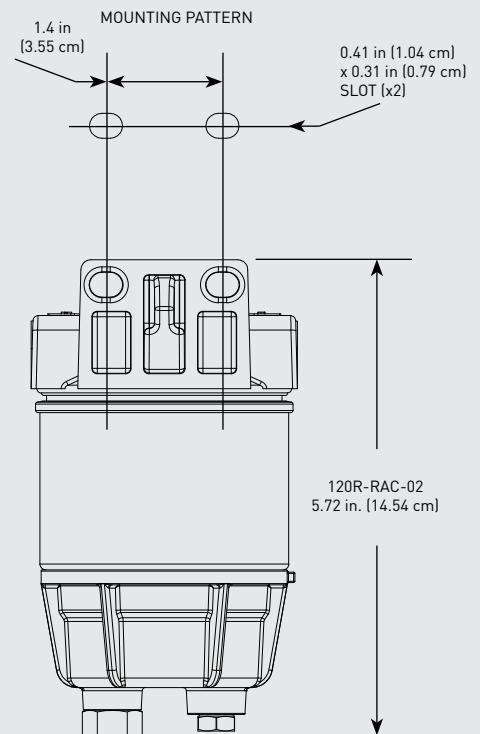
120 Series Top



Front



Profile



Back

ASSEMBLIES DESCRIPTION

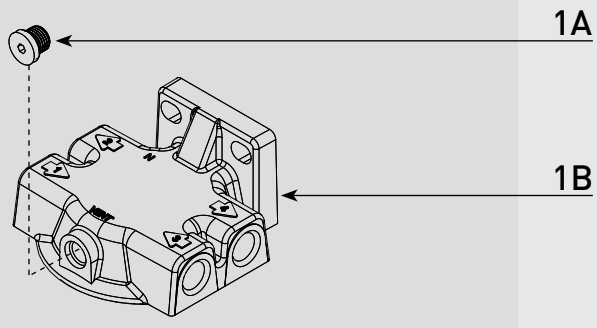
ASSEMBLIES	DESCRIPTION
120R-RAC-01	Outboard Only - Marine Gasoline, FF/WS, Clear Bowl, 30 gph Flow Rate, 10 Micron Filtration
120R-RAC-02	Inboard/Outboard - Marine Gasoline, FF/WS, Metal Bowl, 30 gph Flow Rate, 10 Micron Filtration



PARTS

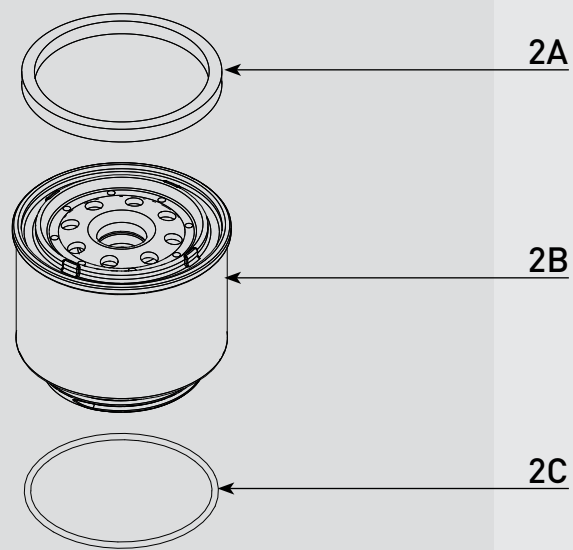
Gasoline Spin-On - 120R-RAC Series

1



Part #	Description
1A	Vent Plug Kit - 3/8-24 SAE Plug
1B	120 Series Head Assembly

2



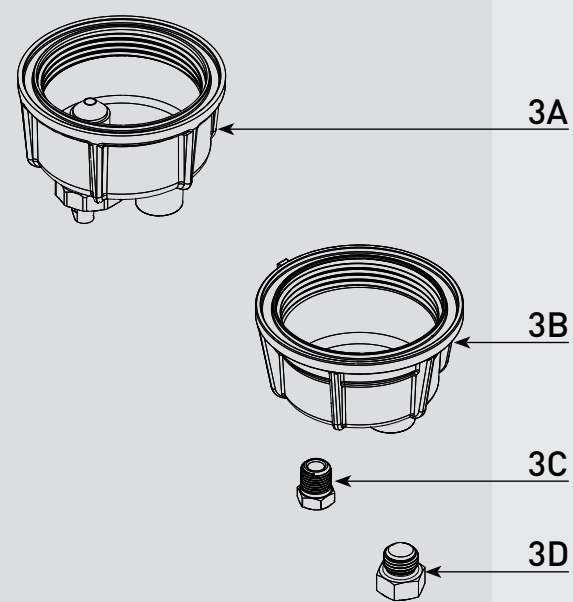
2A	Square Cut Gasket - <i>Included in 2B</i>
2B	S3240 120R-RAC-01 Replacement Filter - 10 micron - <i>Includes 2A, 2C</i> S3240TUL 120R-RAC-02 Replacement Filter - 10 micron - <i>Includes 2A, 2C</i>
2C	Bowl O-ring - <i>Included in 2B & 3A</i>

3A	RK 10222 Replacement Clear Bowl Kit - <i>Includes 2C and 4A</i>
3B	RK 10226 Replacement Metal Bowl Kit (TAN) - <i>Includes 2C, 3C and 3D</i>
3C	Bowl Drain Port Plug Kit
3D	Bowl WIF Port Plug Kit

Additional Parts (not shown)

4A	Self-Venting Drain
----	--------------------

3



Online Link
Marine Fuel Spin-On Product Selector

