

Diesel Spin-On - 120 Series

FUEL

Specifications:

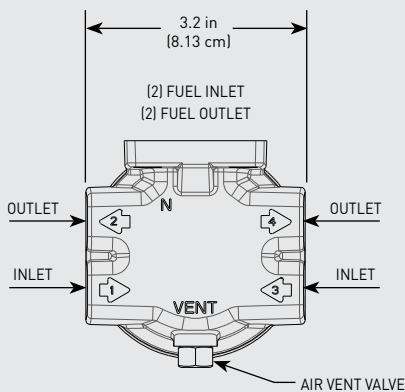
Height:	120A: 6.5" (16.5 cm) 120B: 8.0" (20.3 cm)
Width:	3.2" (8.13 cm)
Depth:	3.31" (8.4 cm)
Weight (Dry):	120A: 1.18 lbs (0.54 kg) 120B: 1.38 lbs (0.63 kg)
Ports:	1/4-18 NPTF
Service Clearance:	2.0" (5.1 cm)

Create a Part Number

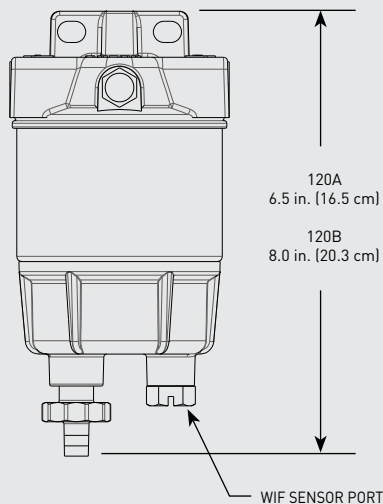
Mounting Head	4 Port	Flow Rating	15 gph (57 lph)	20 gph (76 lph)	Micron Rating	2 Micron	10 Micron	30 Micron
	120		A	B		S	T	P

RACOR®

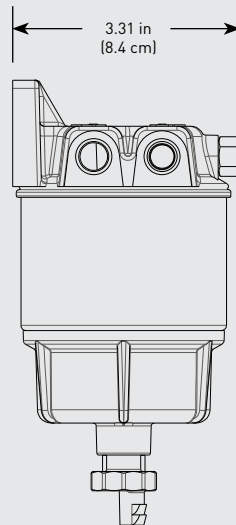
Dimensions:



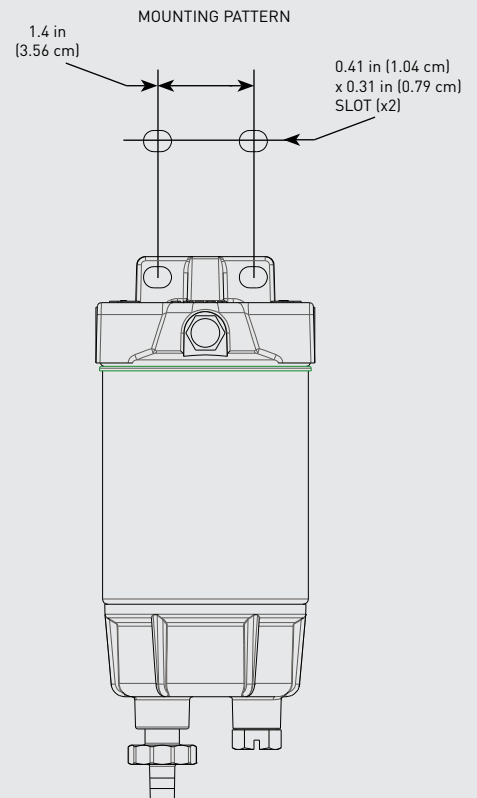
120 Series Top



120A Front



120A Profile



120B Front

ASSEMBLIES	DESCRIPTION
120AS	FF/WS, 15 gph Flow Rate, 2 Micron Filtration
120AT	FF/WS, 15 gph Flow Rate, 10 Micron Filtration
120AP	FF/WS, 15 gph Flow Rate, 30 Micron Filtration
120BT	FF/WS, 20 gph Flow Rate, 10 Micron Filtration
120BP	FF/WS, 20 gph Flow Rate, 30 Micron Filtration

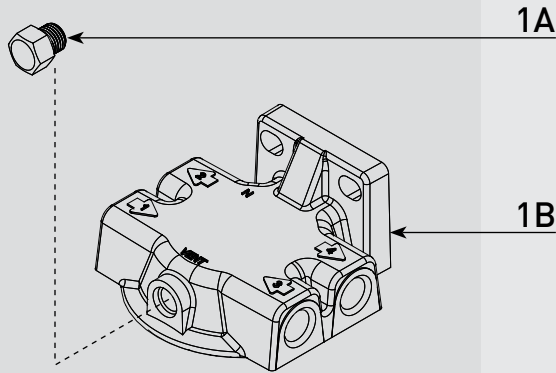


WARNING: The products described in this literature can expose you to chemicals including Diisononyl phthalate, Carbon black extract, which are known to the State of California to cause cancer. For more information go to www.P65Warnings.ca.gov.

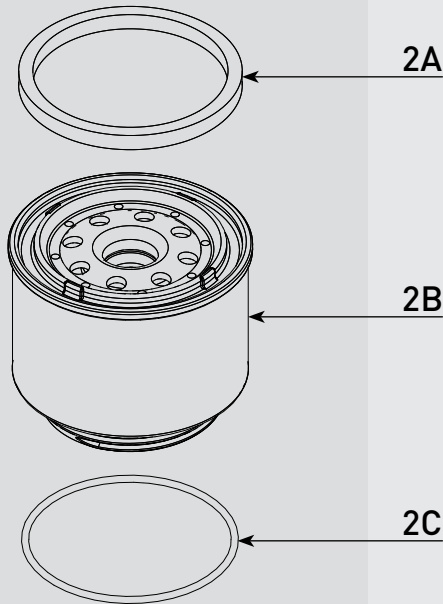
PARTS

Diesel Spin-On - 120 Series

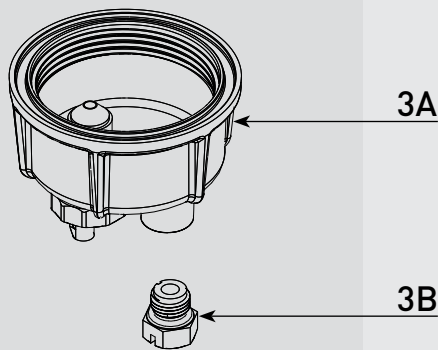
1



2



3



Part #	Description
1A	RK 10110 Vent Plug Kit - 3/8-24 SAE Plug
1B	120 Series Head Assembly

2A	Square Cut Gasket - <i>Included in 2B</i>
2B	R12S 120A Replacement Filter - 2 micron - <i>Includes 2A, 2C</i> R12T 120A Replacement Filter - 10 micron - <i>Includes 2A, 2C</i> R12P 120A Replacement Filter - 30 micron - <i>Includes 2A, 2C</i> R13S 120B Replacement Filter - 2 micron - <i>Includes 2A, 2C</i> R13T 120B Replacement Filter - 10 micron - <i>Includes 2A, 2C</i> R13P 120B Replacement Filter - 30 micron - <i>Includes 2A, 2C</i>
2C	Bowl O-ring - <i>Included in 2B & 3A</i>

3A	RK 10215 Replacement Clear Bowl Kit - <i>Includes 2C, 3B, and 4A</i>
3B	RK 20126 Bowl WIF Port Plug Kit

Additional Parts (not shown)

4A	Self-Venting Drain
4B	RK30880E WIF Sensor/Detection Kit - 1/2" -20 UNF RK33802 Replacement WIF Probe (1/2"-20 SAE) - No Internal Resistor, 12/24V - <i>Requires Water Detection Amplifier</i> <i>See RSL7529 for available Probes, Sensors, and Amplifiers</i>
4C	RK 20726 Water Detection Module Kit - 12 or 24 vdc - Includes Amplifier (Light and Buzzer) & RK 21069 (WIF Probe) <i>See RSL7529 for available Probes, Sensors, and Amplifiers</i>
4D	RK 10226 Replacement Metal Bowl Kit - Includes 2C, Metal WIF Port Plug and Metal Drain Plug

Online Link
Diesel Spin-On Product Selector



RSL0374_CUT_SpinOn_120-Series (04/18 Rev -)

Questions? Email: racortech@parker.com Phone: 800-344-3286 News: www.racornews.com