

REFILLING PURASAN® TABLETS

REFILLING TABLETS in Dispenser

(#41-135A)

When LED is flashing it is an indication of tablets in the dispenser is depleted to less than one tablet and refill is needed

1. Remove all water by pressing “empty” button on the panel before opening lid.
2. Turn off power.
3. With adequate ventilation available - Unscrew tablet dispenser lid. (Fig.1)
4. Pry open 41-135A vapor lock container lid.
5. Use rubber gloves and eye protection before handling tablets.
6. Reload with two tablets in the tube.(FIG 2)
7. Replace lid on tablet dispenser and tablet container
8. Turn on power

CLEANING: Do not add any other chemicals or cleaning products to the toilet or the treatment system. Raritan recommends using C.P. for cleaning toilets.

Maintenance (yearly):

1. Clean tablet holder filter just before refill. Follow step 1 to 3 above. Remove tablet holder tube with filter and rinse in large quantity of water. Replace tube and filter back into dispenser and follow refill steps 4 to 8 above.
2. Check all hose and hose clamps
3. Check for any obstruction in the tube

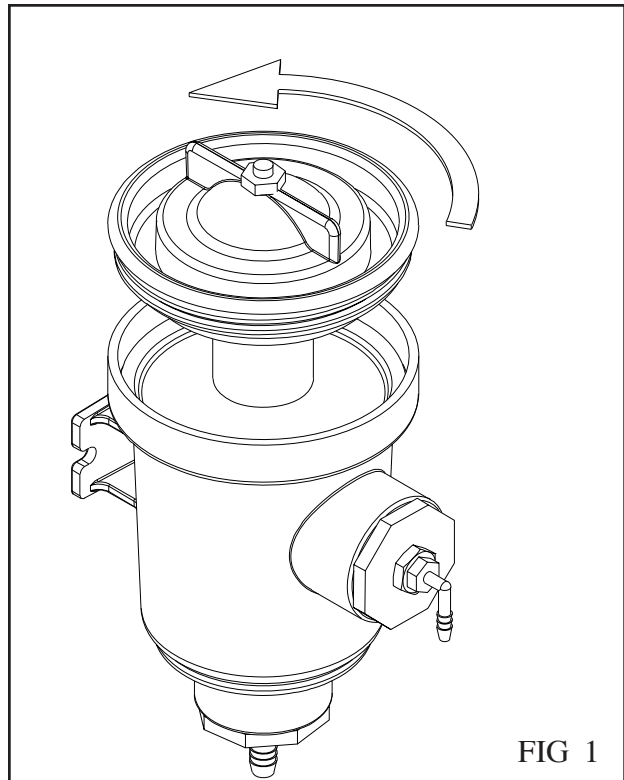


FIG 1

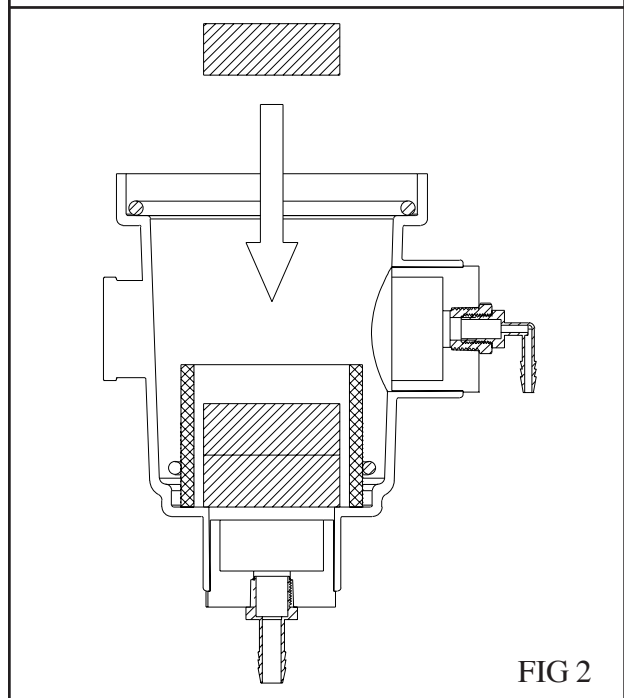


FIG 2



856-825-4900

www.raritaneng.com