


# ✧ FLUSH CONTROL

## Installation, Operation and Maintenance Instructions Part# STCBL

THE FOLLOWING ARE CAUTIONARY STATEMENTS THAT MUST BE READ AND FOLLOWED DURING BOTH INSTALLATION AND OPERATION.

**WARNING:**  Raritan Engineering Company, Inc. recommends that a qualified person or electrician install this product. Equipment damage, injury to personnel or death could result from improper installation. Raritan Engineering Company, Inc. accepts no responsibility or liability for damage to equipment, injury or death to personnel that may result from improper installation or operation of this product.

**WARNING: HAZARD OF SHOCK OR FIRE**

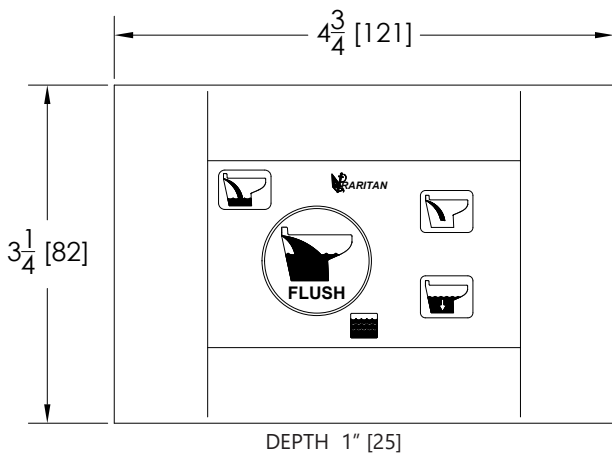


Always use recommended fuse, circuit breaker and wire size.

Motors used with this product are “Ignition Protected”. They are not however, explosion-proof as defined in 46CFR 110.15-65(e), Subchapter J-Electrical Engineering.

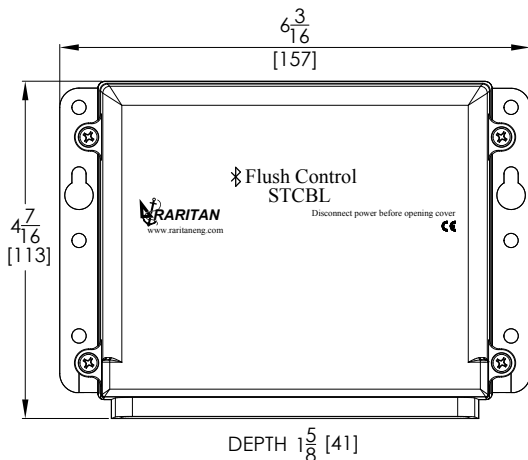
**DO NOT** run continuously for more than 30 seconds.

**Panel**



DEPTH 1" [25]

**Control box**



DEPTH 5/8" [41]



### Description:

✧ Flush Control is a controller for flushing toilet to optimize water use without compromising the quality of flush.


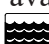
Control consists of a controller and panel (batteries included).

STCBL is designed to automatically start a

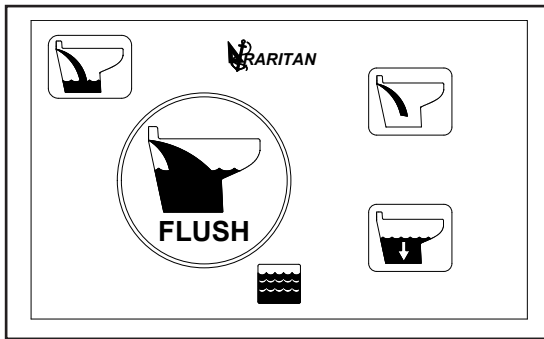
flushing cycle if **NORMAL FLUSH**  or **WATER SAVER**  buttons are pressed.

**WATER ONLY**  button brings inlet water to the bowl when pressed and **EMPTY ONLY**  button evacuates the bowl.

Flush timing is preset from the factory for Sequential Flushing. Flush settings can be changed by downloading the Raritan App to your Smartphone. See “Changing Flush Settings Instructions” on page 8.


The ✧ Flush Control has optional Holding Tank Full  indicators available (see page 7). When Holding Tank Full  is lit, Normal Flush and Water Saver button are disabled. Water Only and Empty Only button continue to function.

Control is reverse polarity protected. In case of reverse polarity motors and solenoid will activate as soon as power is connected. After reverse polarity is corrected (within 10 minutes), unit will work as normal.




## ✧ FLUSH CONTROL PANEL


### 1. NORMAL FLUSH

Press to start timed flushing cycle. If Holding Tank Full  is on, this button is disabled. There are three cycles of inlet and discharge. First cycle removes most of the waste. Second cycle removes remaining waste if any left after first cycle. Third cycle clears all discharge housing and lines with clean water. Last fill is to retain water in the bowl for next use.



### 2. WATER SAVER


Press to start water saver cycle. If Holding Tank Full  is on, this button is disabled. This cycle has only one cycle of inlet and discharge to clear liquid waste. Last fill is to retain water in the bowl for next use.

### 3. EMPTY ONLY

Press to evacuate the bowl. Discharge pump runs as long as this button is held. If Holding Tank Full  is on this button still works.

### 4. WATER ONLY



Press to add water in the bowl. Inlet water solenoid/pump runs as long as button is pressed with an eight second limit. After limit is reached, this button is disabled to prevent overflow of the bowl. To enable again, EMPTY ONLY  button must be pressed. If Holding Tank Full  is on, this button still works.

**NOTE:** Holding Tank Full Light  will only illuminate if the optional Holding Tank Indicator has been installed.

Holding Tank Full Indicator will also indicate when the Flush Control Panel's batteries need to be replaced.

**Download the free Raritan App to change flush modes or timings. The App can also be used to test flush settings, diagnosis problems, device information and update firmware.**

**The Raritan ✧ Flush Control offers two different flush modes to choose from:**

**Sequential Flush:** In this mode, the toilet will add water and discharge waste separately. This fill/empty cycle will repeat once in WATER SAVER  and three times during the NORMAL FLUSH  cycle. At the end of this sequence cycle, a short pause will be followed by a final fill to leave water remaining in the bowl.

This mode is designed to provide the most efficient flush possible while using the least amount of water. It keeps the discharge pump flooded while providing powerful suction to remove waste from the bowl.

**NOTE: All toilets as shipped from factory are set to the Sequential mode.**

**Continuous Flush:** In this mode, the toilet will add water to wet the bowl first and then follow with the inlet and discharge motors flushing together for the remainder of the cycle. At the end of this continuous cycle, a short pause will be followed by a final fill to leave water in the bowl.

This mode may be more suitable for installations in which a continuous flow of water is desired and water use is not as great a concern.

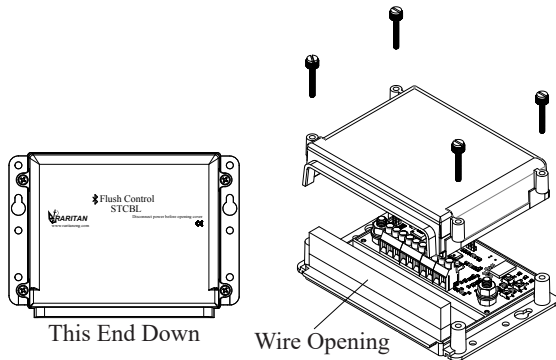
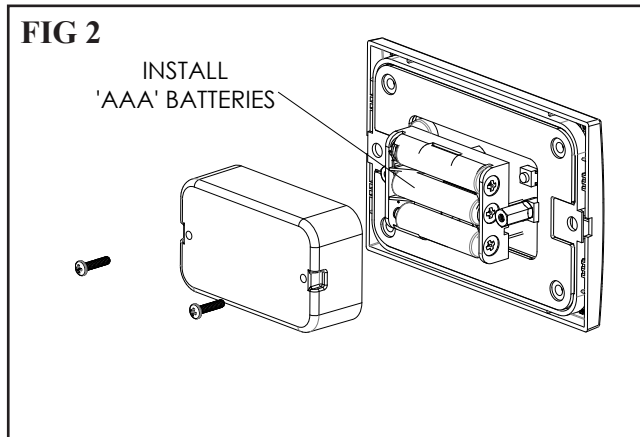
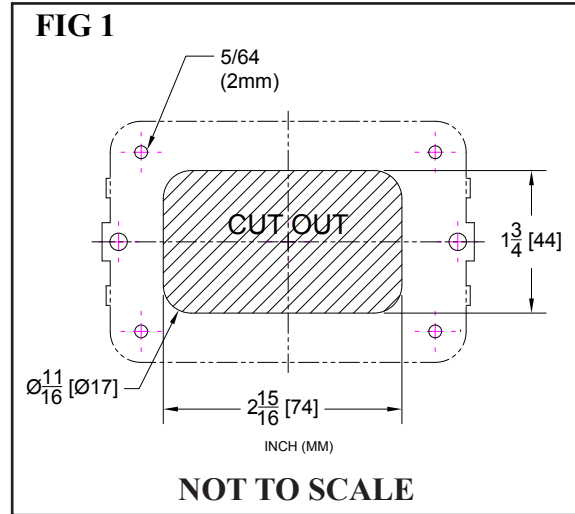
**For changing Flush Mode and Timing see 'Changing Flush Settings' section on page 8.**

## Installing the Flush Control Panel

1. Cut out cross-hatched area per FIG 1. Mark mounting holes using wall plate as guide.
2. Remove cover and install three AAA batteries (included). See FIG 2.
3. Secure control using mounting screws.

## ✧ Installing the Flush Control Box

1. Locate box near toilet in a dry and accessible area.
2. Using two screws, fasten the control to wall with wire opening at the bottom.
3. Open cover to access wiring connector.
4. Choose one of the wiring diagrams (FIG 3, 4, 5, 6 or 7) to route all wires.
5. Replace cover.



**Recommended Wire and Fuse/Circuit Breaker Sizes  
ATLANTES FREEDOM VORTEX VAC AND MARINE ELEGANCE**

**Table 1-Sea Water Model (sizes based on both inlet and discharge amps added)**

Units Voltage	Circuit Breaker/fuse size (amps)	Toilet Discharge Amps draw	Remote Pump Only Amp draw	10 feet	15 feet	20 feet	30 feet	40 feet	50 feet
12 VDC	30	18	10	10 AWG	8 AWG	6 AWG	4 AWG	4 AWG	2 AWG
24 VDC	20	10	5	16 AWG	14 AWG	12 AWG	12 AWG	10 AWG	8 AWG

**Table 2- Pressurized Freshwater Model**

Units Voltage	Circuit Breaker/fuse size (amps)	Amp draw	10 feet	15 feet	20 feet	30 feet	40 feet	50 feet
12 VDC	25	18	10 AWG	10 AWG	8 AWG	6 AWG	6 AWG	4 AWG
24 VDC	15	10	16 AWG	16 AWG	14 AWG	12 AWG	10 AWG	10 AWG

**SEAERA QC MODEL 162**

**Table 3- Sea Water Model(sizes based on both inlet and discharge amps added)**

Units Voltage	Circuit Breaker/fuse size (amps)	Toilet Discharge Amps draw	Remote Pump Only Amp draw	10 feet	15 feet	20 feet	30 feet	40 feet	50 feet
12 VDC	25	13	10	10 AWG	8 AWG	6 AWG	6 AWG	4 AWG	4 AWG
24VDC	15	7.5	5	16 AWG	14 AWG	12 AWG	10 AWG	10 AWG	8 AWG

**Table 4- Pressurized Freshwater Model**

Units Voltage	Circuit Breaker/fuse size (amps)	Amp draw	10 feet	15 feet	20 feet	30 feet	40 feet	50 feet
12 VDC	25	13	12 AWG	10 AWG	10 AWG	8 AWG	6 AWG	6 AWG
24 VDC	15	7.5	16 AWG	16 AWG	14 AWG	12 AWG	10 AWG	10 AWG

**Table 5 - Remote Intake Pump Only**

Units Voltage	Circuit Breaker/fuse size (amps)	Amp draw	10 feet	15 feet	20 feet	30 feet	40 feet	50 feet
12 VDC	15	10	14 AWG	12 AWG	10 AWG	10 AWG	8 AWG	6 AWG
24 VDC	10	5	16 AWG	16 AWG	16 AWG	16 AWG	14 AWG	12 AWG

## NOTES: for Wiring

- Distances are from source to unit and back to source.
- Distance from power source to remote intake pump **MUST** be included when determining total distance. Same wire size **MUST** be used for lower base and remote intake pump.
- Recommended conductor wire minimum AWG (mm<sup>2</sup>) for 3% voltage drop.
- Recommended conductor sizes are based on 105°C rated insulation. Single conductor (not bundled), refer to ABYC Standards for sizes with other insulation ratings.
- For 120/240 VAC units, use 12VDC specifications from transformer to unit. See transformer instructions for further wiring details.

## WIRING

### WARNING: Hazard of Shock and Fire

- Always use proper wire, wire connectors and fuse/circuit breaker. See Specification Chart.
- Secure wire properly.
- Do not connect appliances to toilet circuit.
- Make sure power is off before proceeding.
- Use proper wire terminals for all wire connections.

- Determine proper wire size by measuring distance from:
  - Power Source to control box and back to power source.
  - Remote pump units determine proper wire size for remote pump from wiring diagram.
- Select proper wire and fuse/circuit breaker size from Specifications on Table 1.
- Install fuse/circuit breaker in positive line at source.
- Wire control to the toilet and battery using one of the following wiring diagrams.

## CONVERSIONS

### Wire - AWG to mm

AWG	16	14	12	10	8	6	4	2
mm	1.5	2.5	4.0	6.0	10.0	16.0	25.0	35.0

### Feet to Meters

Feet	10	15	20	25	30	40	50
Meter	3.1	4.6	6.1	7.6	9.2	12.2	15.2

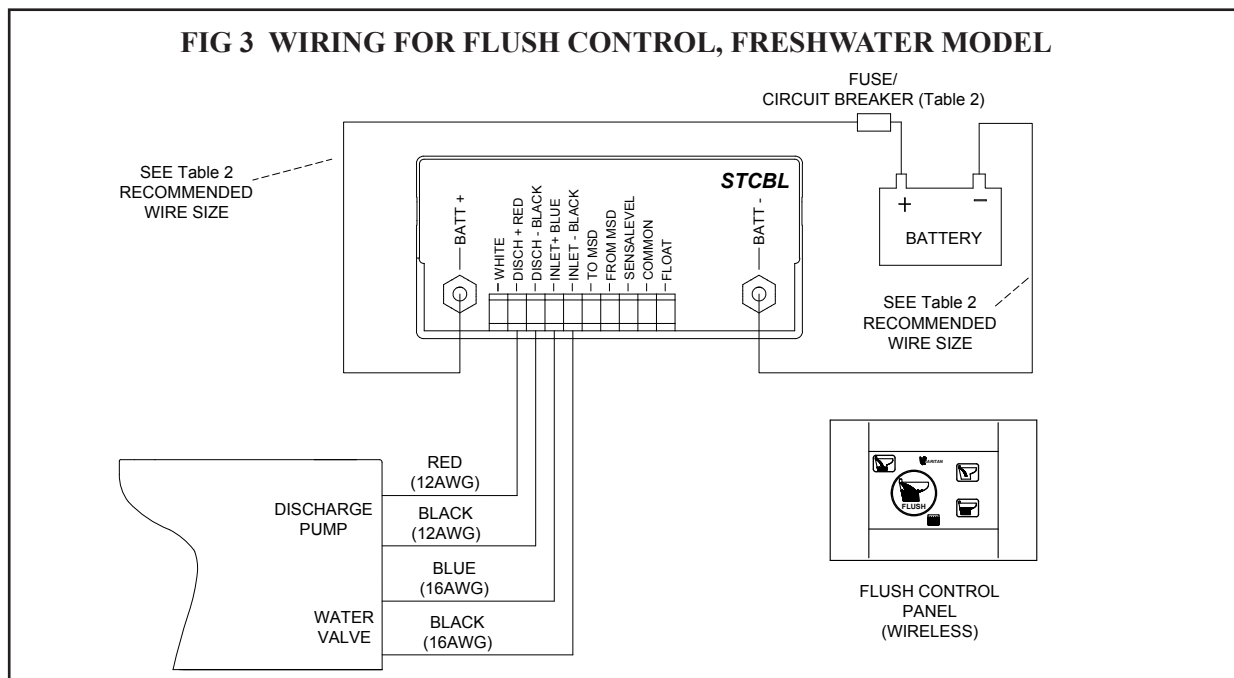
## MSD OPERATION

To start Electrosan from toilet control, run a wire from “to MSD” to terminal marked “EXT TRIG” inside Electrosan control module (black box) (See Fig 6).

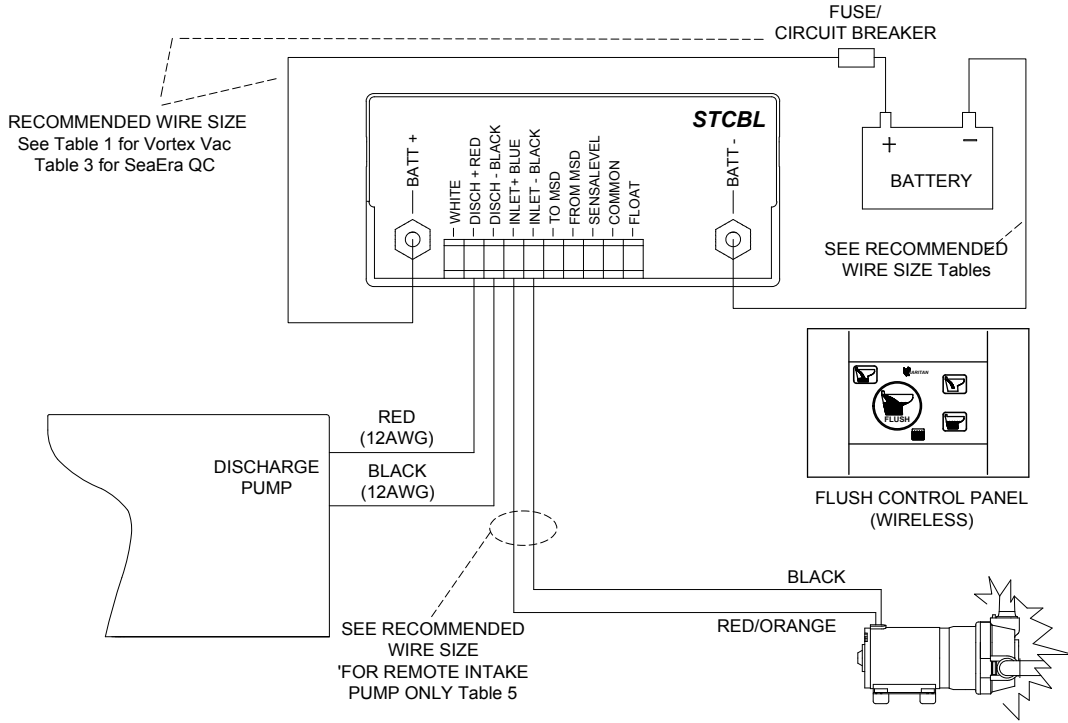
To start toilet equipped with Smart Toilet Control from Electrosan, connect “Head 1” to “FROM MSD” (See Fig 7).

For Lectra/San MC, EC call Raritan Customer Service

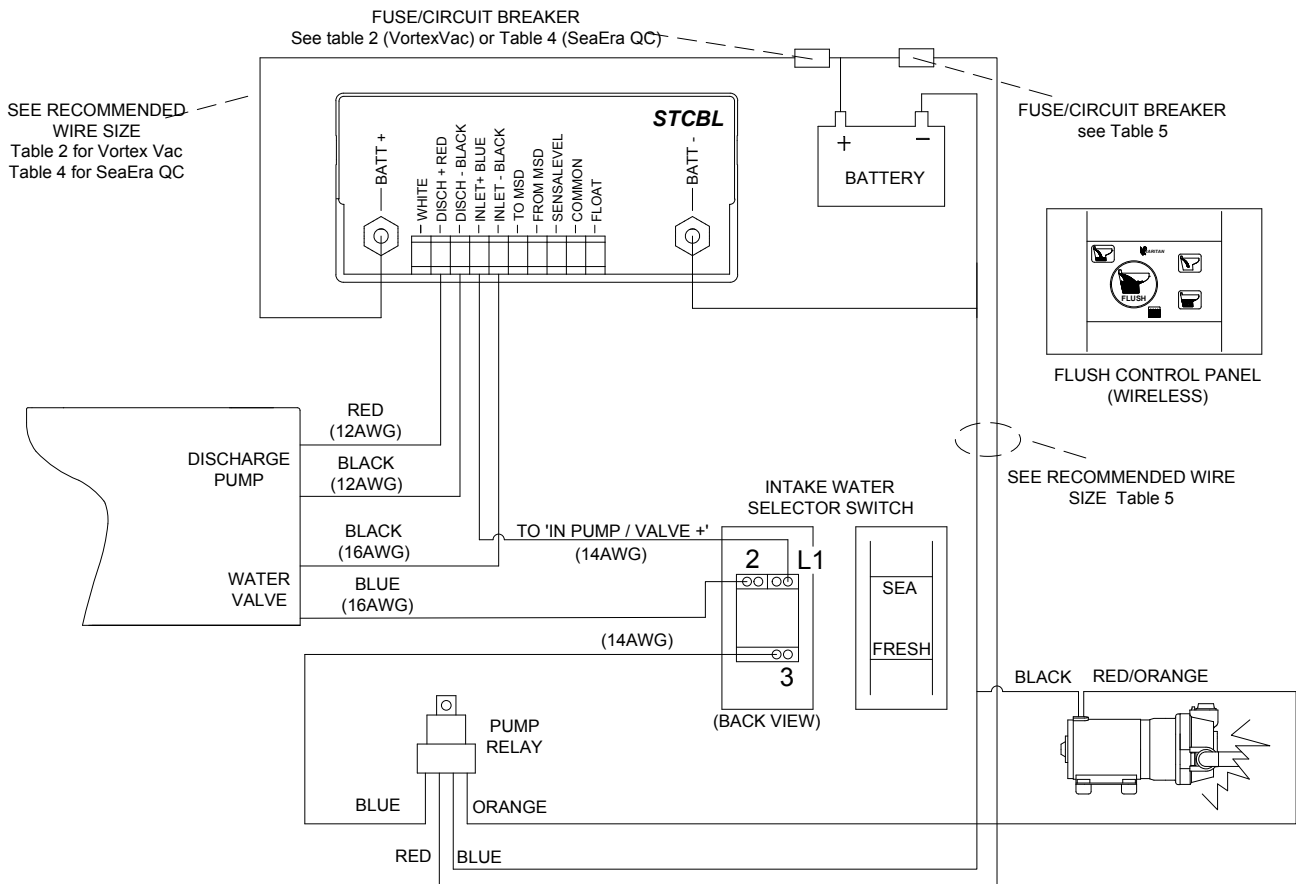
**FIG 3 WIRING FOR FLUSH CONTROL, FRESHWATER MODEL**



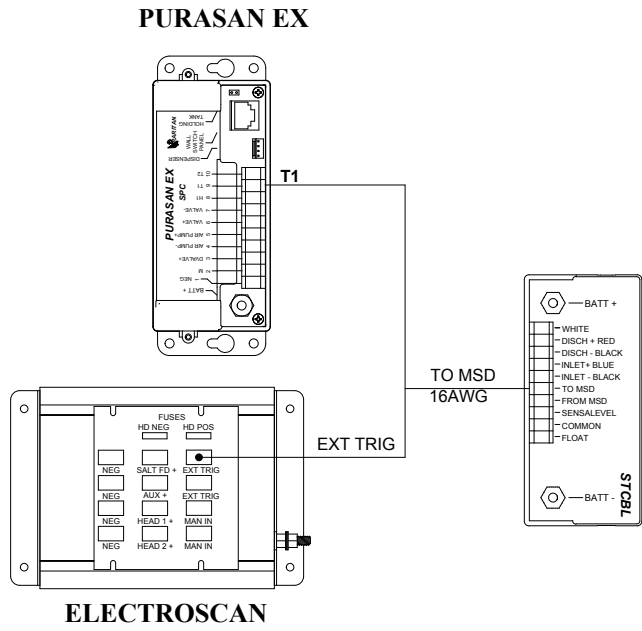
## FIG 4 WIRING FOR FLUSH CONTROL, REMOTE PUMP MODEL



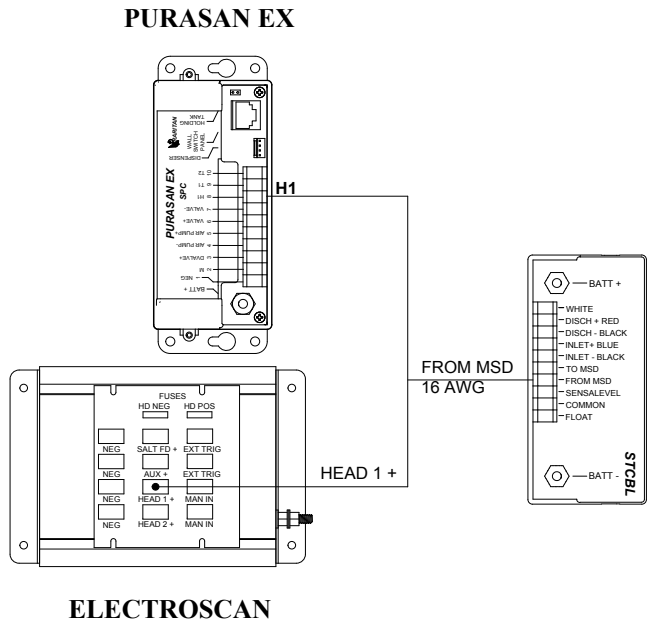
## FIG 5 WIRING FOR FLUSH CONTROL, SEA/FRESH MODEL



**FIG 6  
WIRING FOR FLUSH CONTROL WITH MSD**

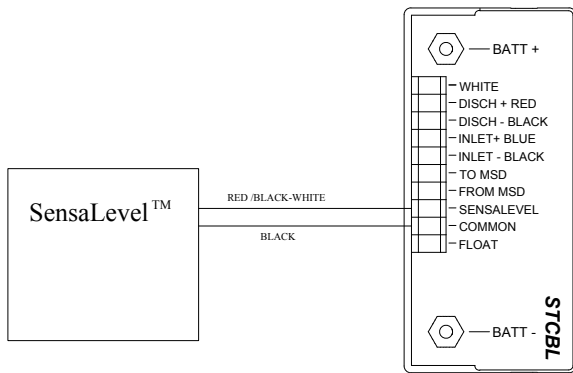


**FIG 7  
WIRING FOR FLUSH CONTROL WITH MSD**

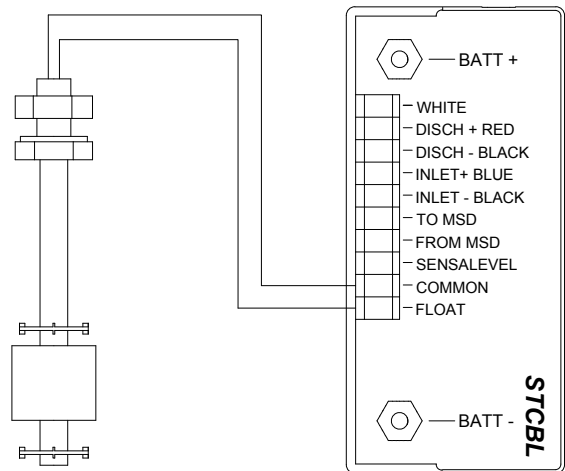


**OPTIONAL HOLDING TANK INDICATORS AVAILABLE**

**RARITAN PART# STCTSA  
HOLDING TANK FULL INDICATOR**



**RARITAN PART# STCFL  
HOLDING TANK FULL INDICATOR**



**Factory settings will work for most installations without making any changes to timing. To make changes to timing, follow guidelines below to optimize flushing after installation.**

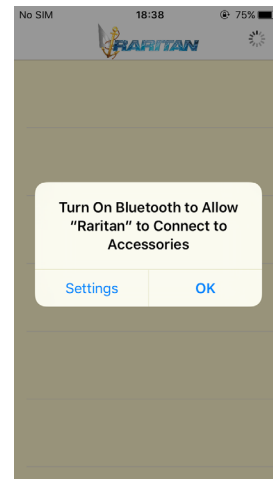
Observation / Issue	Action
Water does not empty all the way in the first cycle	Increase discharge timing (Flush Empty Time 1 or 2)
Water empties, but discharge pump runs more than a second after all water is gone in first cycle	Decrease discharge time (Flush Empty Time 1 and 2)
Solids and toilet paper remain in the bowl after first cycle	Increase (Pre Flush Time)
Water level too high after initial fill cycle	Reduce water retention time (T3)
There is little or no water left in the bowl	Increase water retention time
Water siphons out after 10 or 15 minutes from the bowl	Enable longer pause before retention fill

## CHANGING FLUSH SETTINGS

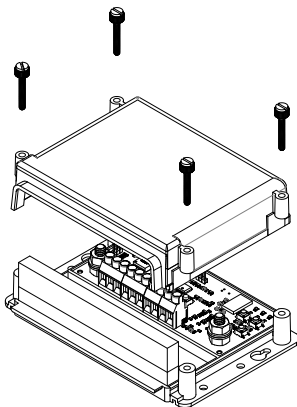
Flush settings are factory programmed to provide optimal flushing for most installations. Some installation may require adjustments to the settings. For complete instructions regarding the App, go to [www.raritaneng.com](http://www.raritaneng.com).

3. Turn power on to Flush Control.
4. Open the Raritan App on Smart Phone. Press OK.

1. Download the Raritan App to your smart phone. (Available in iOS and Android phones)

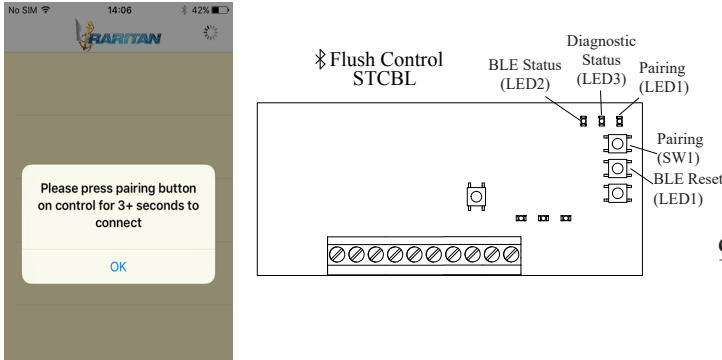


2. Remove cover from the flush control.

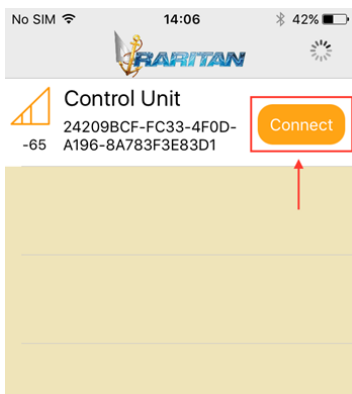




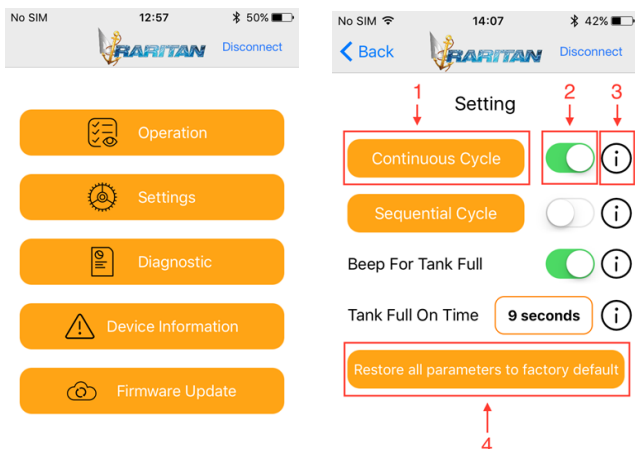
5. Press and hold Pairing Switch (SW1) on Flush Control for 3 seconds then release. After 3 seconds, Diagnostic Status (LED3) will flash one time quickly. The pairing (LED1) and the BLE Status (LED2) will flash together 1 flash per second.



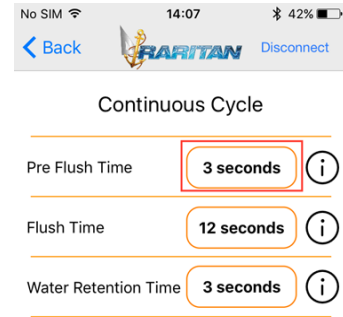
6. On Smartphone press 'Connect'.



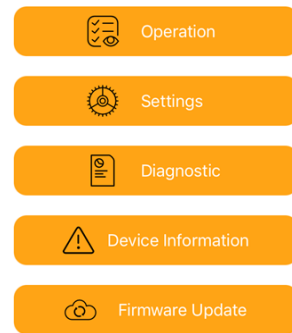
7. Press 'Setting'. This screen allows users to select between Continuous or Sequential Flush cycles. Pressing (i) will provide further detail to each function. It can also be used to restore to factory settings.



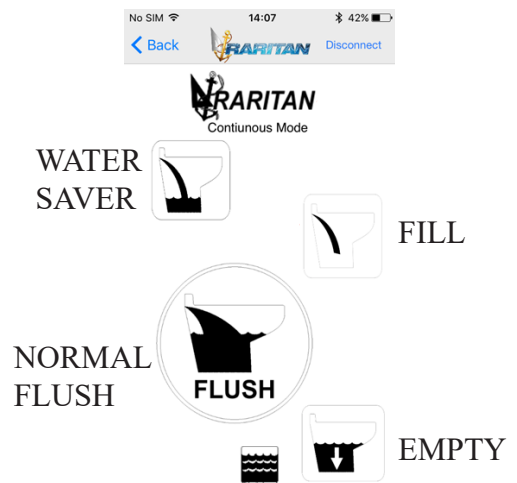
8. Pressing Continuous or Sequential Cycle allows for detailed timing adjustments.



9. Press the back button and select Operation.



10. Test new settings by pressing symbols below.



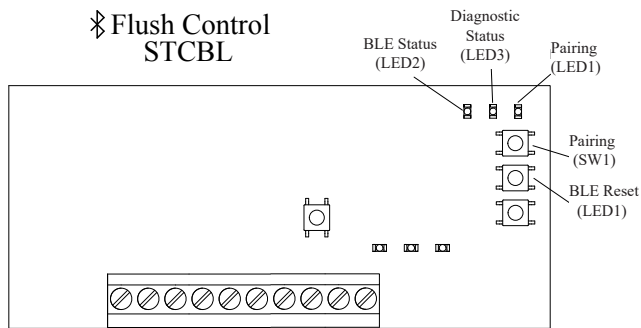
11. Select Disconnect to resume use of wireless wall panel.

## PAIRING NEW PANEL OR CONTROL

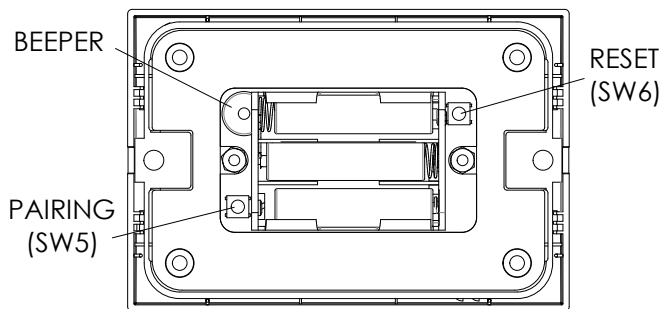
When replacing a new Panel with an existing Control (or New Control with Existing Panel), the units **must** be paired together.

**IMPORTANT:** Power to control **MUST BE ON** and batteries installed in wall panel.

1. Press and hold Pairing Switch (SW1) on Flush Control for 10 seconds then release. All LEDs (1, 2 & 3) should be OFF.



2. Press and hold Pairing Switch SW5 on the Wall Panel for at least 7 seconds. All LEDs on the Control (1, 2 & 3) will still be off.



WALL PANEL

3. Press for 1 second and release SW1.
4. Press for 1 second and release SW5.
5. You will see that the LED2 will be on for several seconds then LEDs1 and 2 will begin to flash together 1 blink/2 seconds.
6. The Panel and Control are now paired.

**NOTE:** If Diagnostic Status (LED3) remains blinking (1 blink/sec), press BLE Reset (SW3) to turn off LED3.

# NOTES

**FOR LIMITED WARRANTY TERMS AND CONDITION PLEASE  
REFER TO TOILET MANUAL**



530 Orange Street, Millville, NJ 08332 USA  
Telephone: 856-825-4900 FAX: 856-825-4409  
[www.raritaneng.com](http://www.raritaneng.com)  
Southern Office and Plant:  
3101 SW Second Avenue, Fort Lauderdale, FL 33315 USA  
Telephone: 954-525-0378 FAX: 954-764-4370