

Model 53 Macerator Pump Installation, Operation, Repair Manual

THE FOLLOWING ARE CAUTIONARY STATEMENTS THAT MUST BE READ AND FOLLOWED DURING BOTH INSTALLATION AND OPERATION

WARNING: *Raritan Engineering Company, Inc. Recommends that a qualified person or electrician install this product. Equipment damage, injury to personnel or death could result from improper installation. Raritan Engineering Company, Inc. accepts no responsibility or liability for damage to equipment, or injury or death to personnel, that may result from improper installation or operation of this product.*



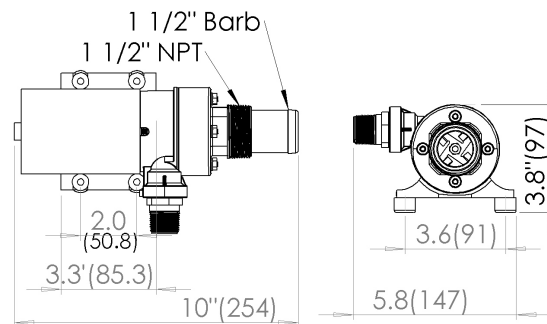
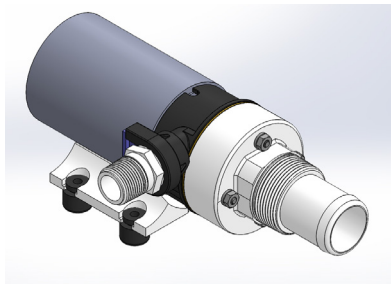
WARNING: ***RISK OF SHOCK OR FIRE** - If the pump is operated in an area containing flammable vapors, the wire leads must be joined by insulated mechanical locking connectors. Loose or inadequate wire connections can spark, resulting in an explosion resulting in property damage, injury, or death. Always use recommended fuse/circuit breaker and wire size.*



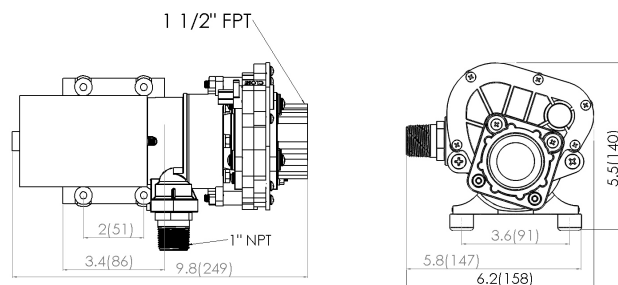
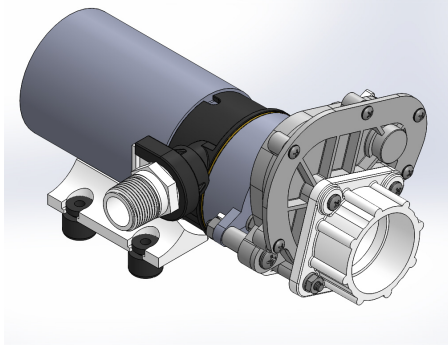
WARNING: ***Hazard of Flooding** - Any installation made below the waterline must have vented loops positioned properly and all hose connections should be double-clamped. Both intake and discharge seacocks should always be in the closed position when the toilet is not in use. Failure to do so may result in flooding, property damage and loss of life.*



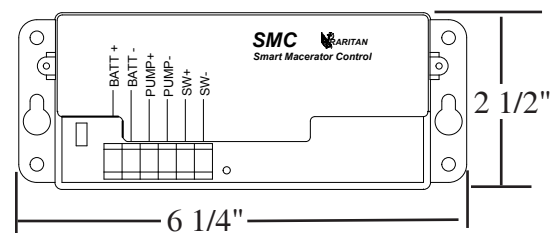
Macerator Pump 53100



Macerator pump 53101 with Waste Valve



Smart Macerator control (optional)



1-856-825-4900
www.raritaneng.com

OPERATION

Designed to empty marine and RV holding tanks of normal waste and fish boxes of scales and residual waste. The unique dual-cut blade design ensures waste is ground up thoroughly. Marine pump out must be in proper discharge zones only. This macerator will not handle hard objects, rags, or feminine napkins.

The optional Smart macerator control monitors pump motor and prevent pump damage due to priming failure or dry running. It also protects motor against overload. If power to control is not turned off, smart control will prevent impeller sticking by jogging impeller once every seven days of non- use.

PUMP IS INTERMITTENT DUTY ONLY!

- Make sure Waste valve to pump and discharge valve [if equipped] are both open. Turn on momentary switch and pump out tank.
- When tank is empty, pump will get louder with a high pitch sound. Immediately turn pump off, or damage to impeller and housing will occur. If pump is equipped with smart macerator control pump will turn off after 5 seconds of dry running
- If not equipped with smart macerator control do not run pump dry for more than 15 – 20 seconds. Flush tank and pump with water after each use. This macerator will handle normal waste, tissues, cigarettes, fish scales, etc. It is not designed to handle large hard objects such as large bones or fruit pits.

Periodic Maintenance and Storage: Flush with water after each use. Check wire connections occasionally. After periods of non-use, impeller can stick. To loosen, open rear shaft cover and turn motor shaft clockwise with a flat tip screwdriver. Then replace shaft cover. For extended periods of non-use, pump impeller can be lubricated by running a small amount of mineral oil through holding tank system.

Maintenance: Turn off all power!
Rear end cap/ motor shaft slot access:
Remove cap over the shaft

SMART MACERATOR CONTROL

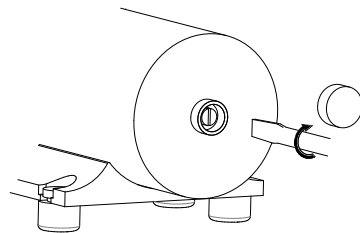
Smart macerator control (SMC) monitors motor and pump to prevent dry run and overload. SMC control has following features:

1. If pump does not prime within 7 seconds, SMC control will shut down the pump.
2. If pumps runs dry for 5 seconds , SMC control will shut down the pump.
3. SMC control can be reset by turning off and on switch. Power need not be turned off.
4. If power is not turned off to the control, control will jog macerator pump for few milliseconds every seven days of idle to prevent binding of impeller.
5. If pump draws more than 20 amps, control will shut down pump.

NOTE: Reverse polarity will run pump as soon as power is turned on even if switch is not on. Power must be turned off immediately (within 5 minutes) and polarity should be corrected to avoid permanent damage to the control.

A Maintenance Tip!

Loosen stuck impeller by turning motor shaft clockwise from rear with a flat-tipped screwdriver.



Plumbing Connections

Pump should be mounted as near as possible to tank to minimize dry run. Pump is self-priming to a five-foot lift when impeller is wet, four foot lift when impeller is dry. Pump is more efficient if mounted near the holding tank.

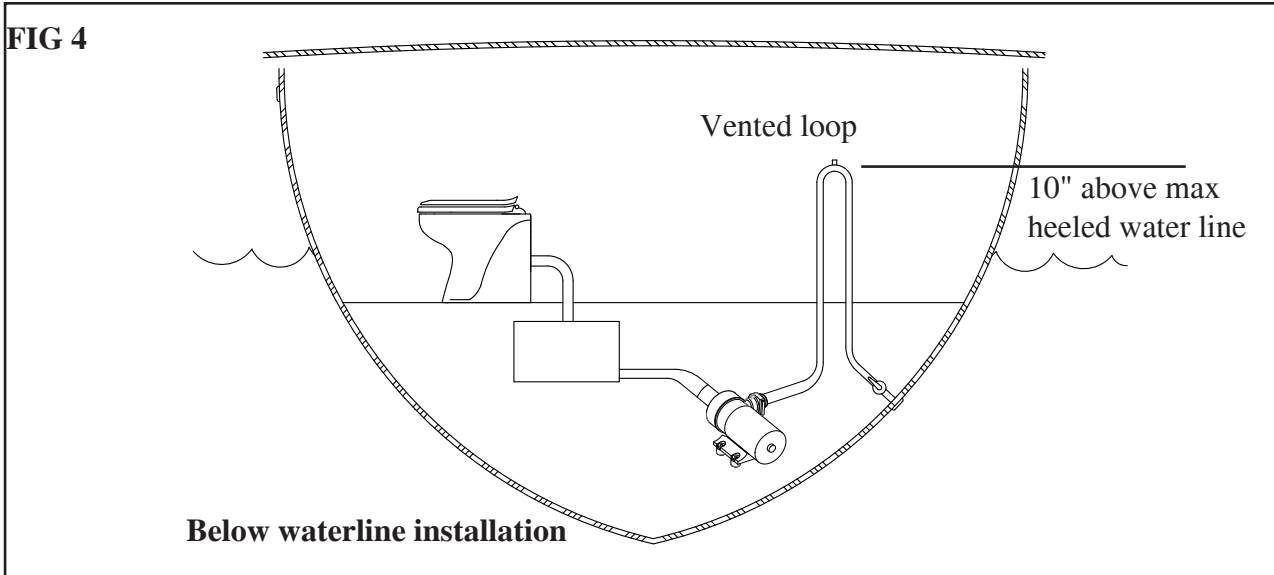
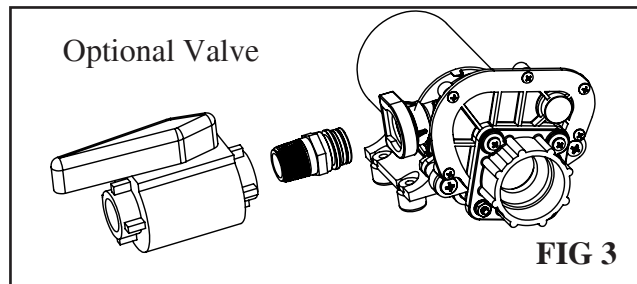
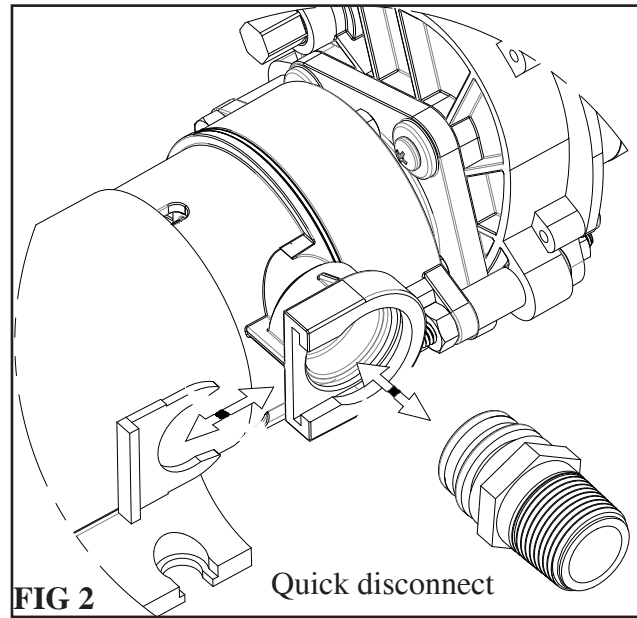
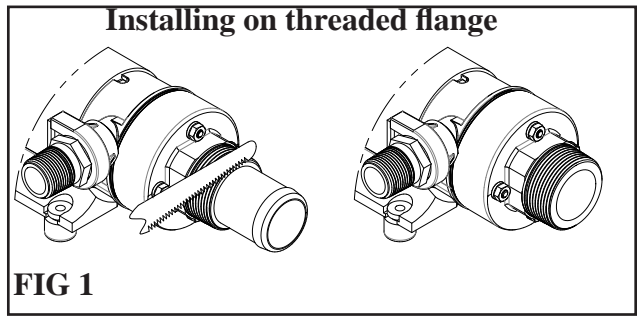
INLET: For model 53100; Always install pump with a shut-off valve between pump and holding tank. Model 53101 includes an integral wastewater valve.

Hose: Use 1-1/2" ID [non-collapsible vacuum rated] hose on inlet [suction] side. Use stainless steel hose clamps on all sanitation connections.

Flange: For model 53100: To mount to 1-1/2" female flange, inlet barb must be cut off just before threads. Seal threads and hand tighten. For model 53101: Use 1 1/2" threaded nipple between FPT flange and waste valve. Use thread sealant to tighten joints.

WARNING: Any air leak on inlet side can cause pump to run dry and can damage impeller and impeller housing. Check all inlet side connections, even those on deck plates. All runs should be smooth with no kinks or sharp angles.

OUTLET: Use 1" minimum ID hose on discharge side of pump. Install a 1" shut-off valve between pump quick disconnect and hose. Connect to thru-hull fitting above highest heeled point above waterline. Vented loop installations must vent at least 10" above highest heeled point above waterline. Use stainless steel hose clamps on all sanitation connections.

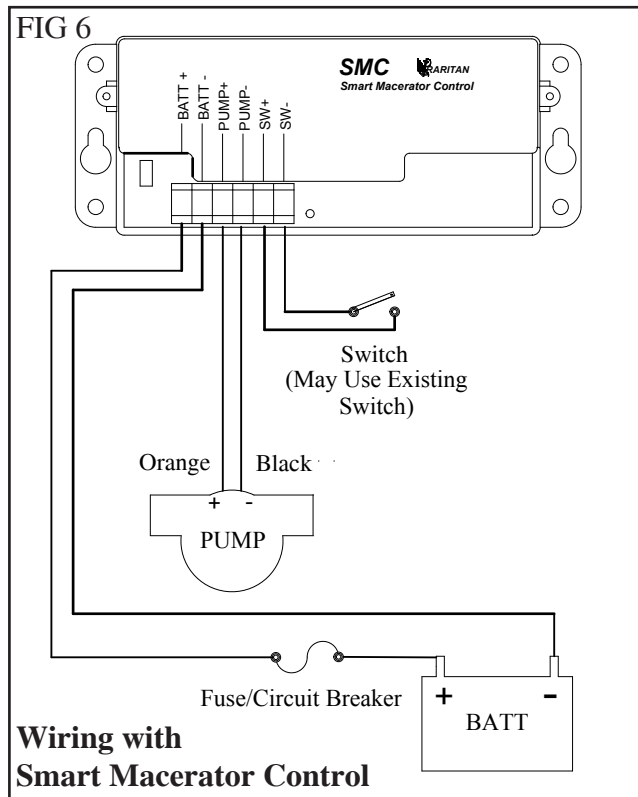
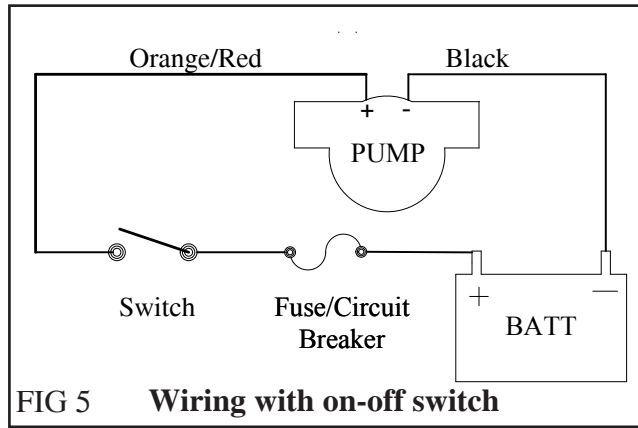


WARNING: Hazard of Shock and Fire

- Always use proper wire, wire connectors and fuse/circuit breaker. See Specification Chart.
- Secure wire properly.
- Do not connect other equipment to macerator circuit.
- Make sure power is off before proceeding.
- Use proper wire terminals if needed for all wire connections.

NOTE: Mount switch near macerator pump so that operator can hear change in pump sound when tank is empty.

1. Determine proper wire size by measuring distance from:
 - Power Source to switch to pump motor and back to power source.
 - For models with smart macerator control include distance from power source to controller to pump and back.
2. Select proper wire and fuse/circuit breaker size from Specifications on Installation page.
3. Install fuse/circuit breaker in positive line at source.
4. Connect positive wire from fuse/circuit breaker to Switch or to the smart macerator control positive terminal.
5. Connect wire from switch to orange wire on motor.
6. Connect wire from battery negative or power source ground buss to black wire (negative) on motor or to negative terminal on smart macerator control



Product Specifications

PUMP:	Self priming Flexible rubber impeller with Stainless steel wear plate
Impeller:	Raritan Nitrile compound with wax
Blade:	Stainless steel double cut
Seal:	Viton Lip with 316 SS spring and case
Motor:	Permanent magnet type, fully enclosed, stainless steel shaft, thermal protection for overload, Powder coated housing with sealed ball bearing
Ports:	Inlet: 1-1/2" hose barb & 1-1/2" NPT Male Outlet: 3/4" MNPT
Lead wires:	14 GA, Red and black
Fuse:	See wire size chart
Duty Cycle:	Intermittent duty only
Dimensions:	See drawing
Weight:	5 lbs.
Approvals:	Ignition protected, ISO 8846, CE compliant available

HEAD VS FLOW RATES				
Head Ft [m]	Flow gpm[lpm]	Max DC Amps		
		12V	24V	
0 [0]	11[42]	10.9	5,4	
5 [1.5]	10.1[38]	11.1	5.6	
10 [3]	9[34]	11.4	5.8	
15 [4.6]	7.7[29]	11.8	5.9	
20 [6.1]	6.4 [24]	12.3	6.2	

Maximum Operating Head = 30 feet

CONVERSIONS								
Wire - AWG to mm ²								
AWG	16	14	12	10	8	6	4	2
mm ²	1.5	2.5	4.0	6.0	10.0	16.0	25.0	35.0
Feet to Meters								
Feet	10	15	20	25	30	40	50	
Meter	3.1	4.6	6.1	7.6	9.2	12.2	15.2	

Recommended Wire and Breaker size for Macerator pump

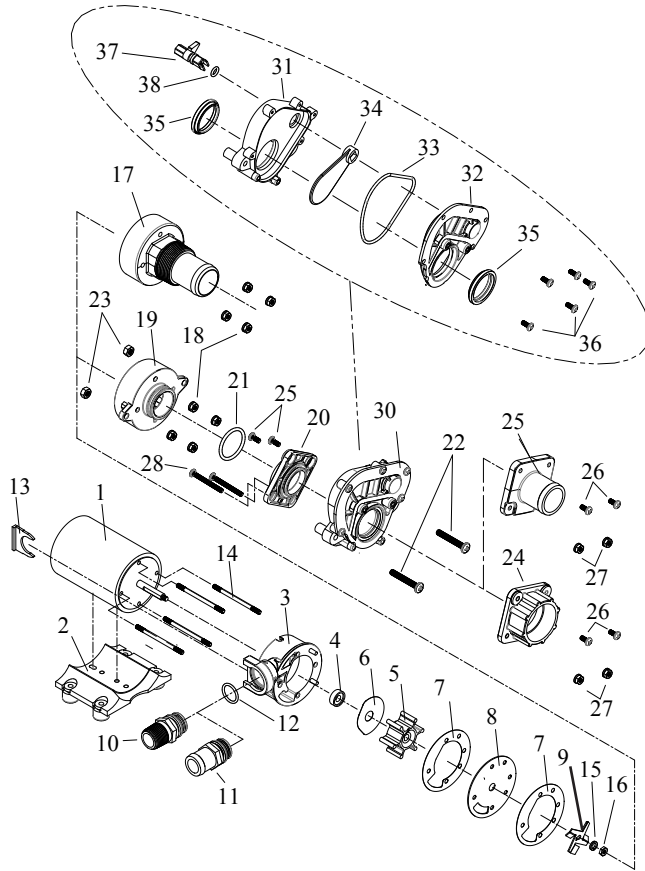
Units Voltage	Circuit Breaker/ Fuse sizes(AMPS)	Macerator amps @ nominal voltage	10 Feet	20 Feet	30 Feet	40 Feet	50 Feet
12V	25	16	12AWG	10AWG	8AWG	6AWG	6AWG
24V	15	8	14AWG	10AWG	10AWG	8AWG	6AWG

Notes:

1. Distances are from source to the unit and back to source.
2. Recommended conductor wire minimum AWG for 3% voltage drop.
3. Recommended conductor sizes are based on 105°C rated insulation. Refer to ABYC standards for other insulation ratings.

PARTS LIST EXPLODED PARTS VIEW

EXPLODED PARTS VIEW



Repair Kits:
53100RK:
 includes
 4,5,12,7(2).
53101RK:
 includes
 51100RK and
 21,35(2),33,38

Part List

No.	Part#	Description	No.	Part#	Description
	53101**	Macerator pump with Waste Water Valve	18	1108A	10-32 nut SS (4)
	53100**	Macerator pump	19	53156	Teeth Housing
1	53105**	Motor	20	53165	Pump Adapter
2	53106	Motor Base	21	25103	Pump adapter O ring
3	53110	Pump housing,	22	F326	1/4-20 x 1 3/4" Hex CAP head screws
4	31-102P	Shaft Seal	23	1226B	1/4" SS nut
5	53120	Impeller	24	53180	WVA Adapter 1 1/2"FNPT
6	53130	Wear plate, SS	26	53181	10-32 x 1/2"adapter Screws,
7	53135	Gasket. (2)	27	53183	10-24 nut SS
8	53140	Pump cover, SS	28	53182	10-24 x 1 3/4" adapter screw
9	53145	macerator blade , SS	WASTE VALVE ASSEMBLY (WVA		
10	53166	Discharge Adapter 3/4 -14 MNPT	30	53170	1 1/2" WVA Assy.
11	53168	Discharge Adapter 1" Insert	31	53171	WVA Housing
12	53169	o-ring, discharge adapter nipple	32	53174	WVA Cover
13	53167	Discharge Adapter Retaining Clip	33	53176	WVA housing O-ring
14	53160	10-32 x 3" Stud	34	53172	WVA Valve gate
15	M23A	# 10 lock washer, SS (7)	35	53179	WVA Adapter Seals
16	1108A	10-32 nut SS	36	F403	8-16 x 1/2" Screw
17	53155	Teeth Housing	37	53175	WVA shaft
			38	53173	WVA shaft O-ring

**Specify Voltage 12 or 24

Maintenance: If pump is not used for long period, impeller may bind to the pump housing causing overload. Impeller can be freed by turning the motor shaft (see Fig7)

CAUTION: Turn off all power prior to removing the plastic cap and rotating shaft with a screw driver.

Note: *Smart macerator control will jog the shaft every 7 days of non-use automatically preventing binding.*

Pump disassembly:

Model 53101:

Close the waste valve by turning valve shutoff socket counterclockwise. Remove two screws(22). Pull waste water valve away from the pump.

Model 53100:

Disconnect inlet hose.

All models:

Shutoff discharge valve if installed.

Remove clip(13) and remove fitting(10/11) .

Pump can be unbolted and removed for disassembly to a convenient location.

Remove 4 cover screws (14). Remove housing (19 or 17)) and O-ring (3). Remove hex nut (16) and cutter blades (9). It may be necessary to hold the motor shaft steady. Insert a screwdriver into slot on motor shaft (see slot access above), or slip a thin wrench (9/32" [7mm]) behind blades onto flat of motor shaft. Remove top wear plate (8), gasket (7), impeller (5) and bottom wear plate (6). Remove impeller housing (3) and shaft seal (4).

Pump reassembly:

Follow disassembly in reverse order.

Tip: Turn rubber impeller counter clockwise to install in the housing.

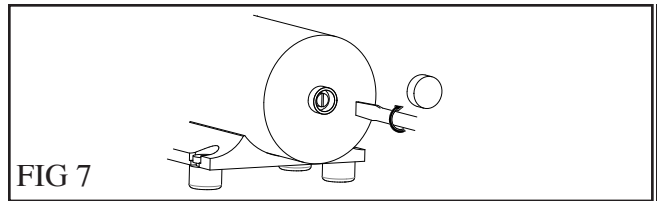


FIG 7

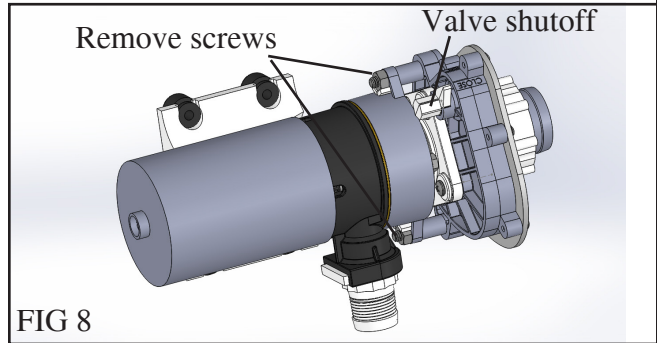


FIG 8

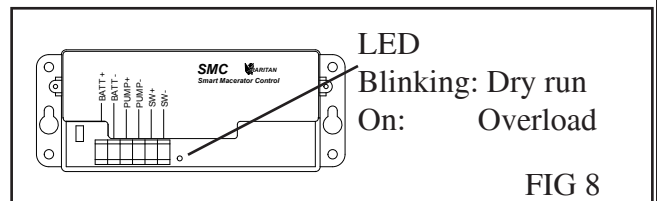


FIG 8

Troubleshooting

1. *Pump makes loud noise:*

Make sure pump is not running dry.

2. *Pumps runs but does not empty tank:*

Impeller may be worn or broken, replace impeller.

Smart control:

1. *Pump shuts down after 7 seconds and LED is blinking:*

Pump ran dry.

Check for water level and check for any leaks in the input plumbing.

2. *Pump shuts down and LED is ON:*

Motor is overloaded.

Pump may have some foreign object lodged in the macerator, or broken impeller

LIMITED WARRANTY

Raritan Engineering Company warrants to the original purchaser that this product is free of defects in materials or workmanship for a period of one year from the product's date of purchase. Should this product prove defective by reason of improper workmanship and/or materials within the warranty period, Raritan shall, at its sole option, repair or replace the product.

1. TO OBTAIN WARRANTY SERVICE, Consumer must deliver the product prepaid, together with a detailed description of the problem, to Raritan at 530 Orange St., Millville, N.J. 08332, or 3101 SW 2nd Ave. Ft. Lauderdale, FL 33315. When requesting warranty service, purchaser must present a sales slip or other document which establishes proof of purchase. **THE RETURN OF THE OWNER REGISTRATION CARD IS NOT A CONDITION PRECEDENT OF WARRANTY COVERAGE.** However, please complete and return the owner Registration Card so that Raritan can contact you should a question of safety arise which could affect you.
2. **THIS WARRANTY DOES NOT COVER** defects caused by modifications, alterations, repairs or service of this product by anyone other than Raritan; defects in materials or workmanship supplied by others in the process of installation of this product; defects caused by installation of this product other than in accordance with the manufacturer's recommended installation instructions or standard industry procedures; physical abuse to, or misuse of, this product. This warranty also does not cover damages to equipment caused by fire, flood, external water, excessive corrosion or Act of God.
3. **ANY EXPRESS WARRANTY NOT PROVIDED HEREIN, AND ANY REMEDY FOR BREACH OF CONTRACT WHICH BUT FOR THIS PROVISION MIGHT ARISE BY IMPLICATION OR OPERATION OF LAW, IS HEREBY EXCLUDED AND DISCLAIMED. ALL IMPLIED WARRANTIES SUCH AS THOSE OF MERCHANTABILITY AND OF FITNESS FOR A PARTICULAR PURPOSE, IF APPLICABLE, AS WELL AS ANY IMPLIED WARRANTIES WHICH MIGHT ARISE BY IMPLICATION OF LAW, ARE EXPRESSLY LIMITED TO A TERM OF ONE YEAR. SOME STATES DO NOT ALLOW LIMITATIONS ON HOW LONG A LIMITED WARRANTY LASTS, SO THE ABOVE LIMITATION MAY NOT APPLY TO YOU.**
4. **UNDER NO CIRCUMSTANCES SHALL RARITAN BE LIABLE TO PURCHASER OR ANY OTHER PERSONS FOR ANY SPECIAL OR CONSEQUENTIAL DAMAGES, WHETHER ARISING OUT OF BREACH OF WARRANTY, BREACH OF CONTRACT, OR OTHERWISE. SOME STATES DO NOT ALLOW THE EXCLUSION OR LIMITATION OF INCIDENTAL OR CONSEQUENTIAL DAMAGES, SO THE ABOVE LIMITATION OR EXCLUSION MAY NOT APPLY TO YOU.**
5. No other person or entity is authorized to make any express warranty, promise or affirmation of fact or to assume any other liability on behalf of Raritan in connection with its products except as specifically set forth in this warranty.
6. This warranty gives you specific legal rights, and you may also have other rights which vary from state to state.



530 Orange Street, Millville, NJ 08332 USA
Telephone: 856-825-4900 FAX: 856-825-4409
www.raritaneng.com
Southern Office and Plant:
3101 SW Second Avenue, Fort Lauderdale, FL 33315 USA
Telephone: 954-525-0378 FAX: 954-764-4370