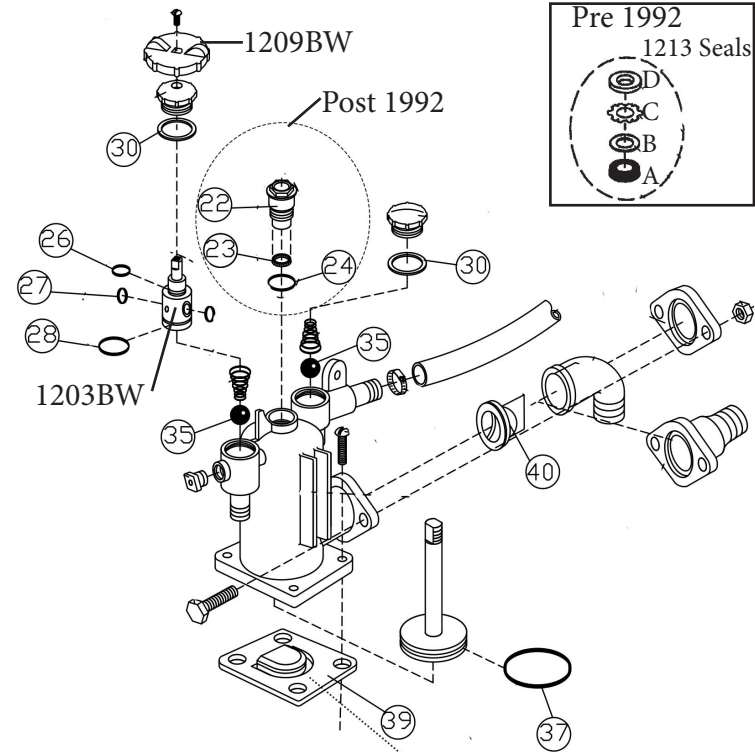


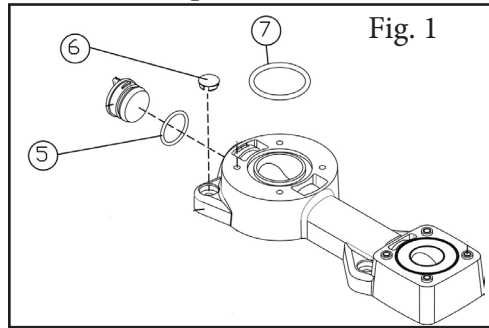
# UNIVERSAL PHII, PH SUPERFLUSH AND POWERFLUSH REPAIR KIT

## PHRKIU OVERHAUL KIT CONTENTS

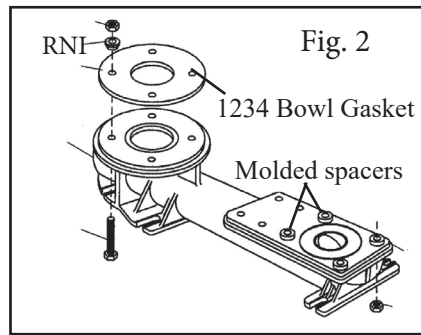
Ref#	Qty.	Part #	Description
35	2	1201	Inlet & Outlet Valve Ball
30	2	1202	Inlet & Outlet Valve Cap Gasket (white)
26	1	1203B1	Inlet Valve Stem "O" Ring (small black)
27	2	1203B2	Inlet Valve Body "O" Ring (medium black)
28	1	1203B3	Inlet Valve Bottom "O" Ring (large black)
Pre-92	1	1213A	U-Cup Seal (Pre 1992)
Pre-92	1	1213B	Acetal Washer (stiff plastic) (Pre 1992)
Pre-92	1	1213C	Snap Ring (curved side down) (Pre 1992)
Pre-92	1	1213D	White rubber washer (slides loose) (Pre 1992)
22	1	1214	Seal Cartridge
23	1	1214A	Piston Shaft Seal (install with flat side up)
24	1	1214B	"O" Ring (large black thin cross section)
	4	1226C	Spacer Washer (only use if not molded on base See Fig.2)
39	1	1228CW	Flapper Valve Assembly (See Fig. 3)
37	1	1232MS	Piston "O" Ring
Fig. 2	1	1234	Bowl Gasket (white rubber)
5	1	25103	Base O-Ring (See Fig. 1)
6	4	25104	Base Mounting Plug (See Fig. 1)
7	1	25105	Bowl Gasket (black O-Ring)(See Fig. 1)
40	1	C253	Joker Valve (duckbill faces away from toilet)
Fig. 2	4	RNI	Nylon Shoulder Washer
	3	SL1CC	Super Lube 1CC packet



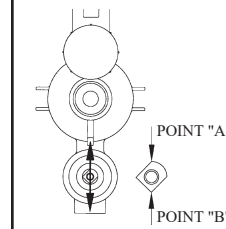
Base for PH Superflush and Powerflush



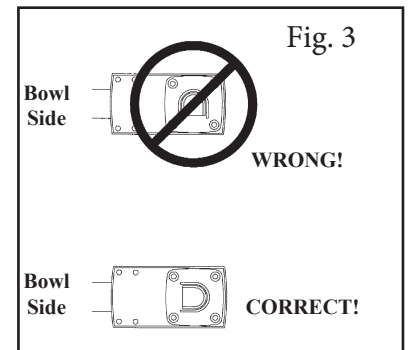
Base for PHII and PHEII



**NOTE: Before Reinstalling 1209BW Inlet Valve Handle, Be Sure Points "A" and "B" On The Inlet Valve Body (#1203BW) Are Positioned As Shown By The Double Arrow.**



CORRECT ORIENTATION OF FLAPPER VALVE



530 Orange Street., Millville, NJ 08332 USA  
 Telephone: 856-825-4900 FAX: 856-825-4409  
 www.raritaneng.com

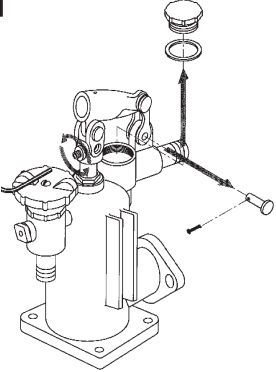
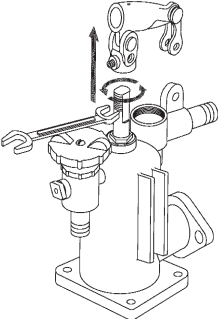
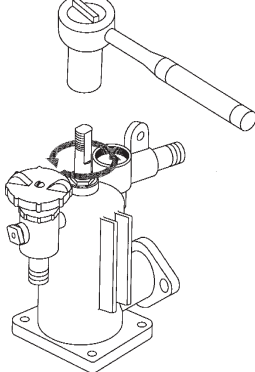
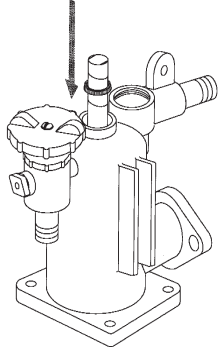
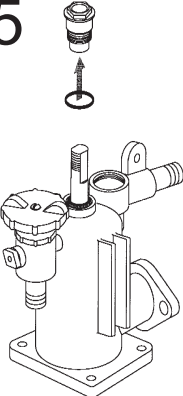
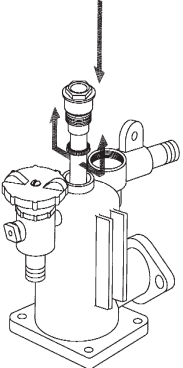
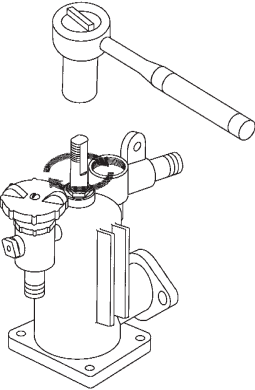
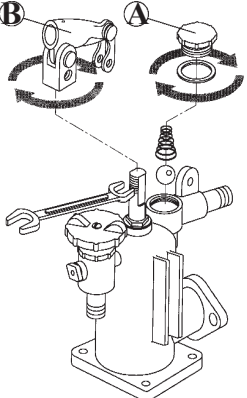
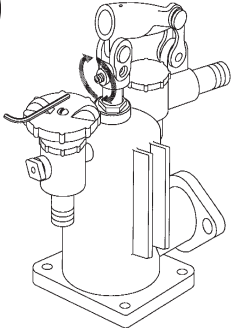
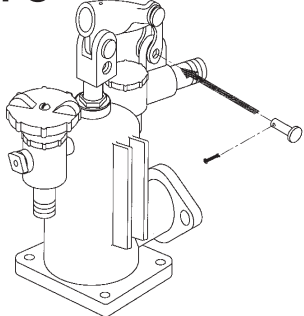
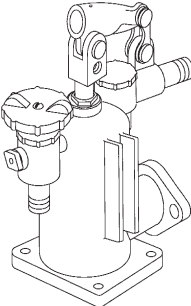
Link to online  
How to Videos



# PHII SHAFT SEAL AND SEAL CARTRIDGE ASSEMBLY (1214W) Installation Instructions for the 1200C pump housing

Tools Needed: Electrical Tape, 1/2" drive 7/8" deep well socket with ratchet, 3/8" open end wrench, water pump pliers, and 1/8" allen wrench

**CAUTION: Be sure all SEACOCKS are CLOSED before working on toilet.**

<p><b>1</b></p> 	<p><b>2</b></p> 	<p><b>3</b></p> 	<p><b>4</b></p> 	<p><b>5</b></p> 	<p><b>6</b></p> 
<p>Remove Cottor pin and clevis pin holding handle socket to housing. Remove cap (#1217) under handle socket. Loosen set screw in yoke.</p>	<p>Lift piston. Hold shaft with 3/8" wrench on flats and unscrew handle socket. NOTE: Keep piston in upward position. Do not let piston drop into housing. If piston drops into housing, the housing will need to be removed from the base.</p>	<p>Using 7/8" deep well socket unscrew and remove cartridge seal if it remains on piston shaft.</p>	<p>Wrap threads and flat part of piston rod with electrical tape to protect seal when installing. Wrap from flat sections upward to threads. Slide seal down over shaft, (smallest diameter side up). Slide seal below flats and tape.</p>	<p>Remove tape and install "O" ring on seal cartridge.</p>	<p>Slide seal cartridge down, over piston shaft and beyond flats. Slide seal upward and seat it in recess on bottom side of cartridge.</p>
<p><b>7</b></p> 	<p><b>8</b></p> 	<p><b>9</b></p> 	<p><b>10</b></p> 	<p><b>11</b></p> 	
<p>Reinstall cartridge, screwing it into threads at top of pump housing. Snug it down using 7/8" deep well socket and ratchet. Tighten to 30 in/lbs. Do not overtighten; O-Ring will displace.</p>	<p>A. If removed, install ball and spring (larger end down). Install gasket and cap (tighten with water pump pliers). Do Not overtighten cap; the gasket will displace. B. Hold shaft with 3/8" wrench, place handle socket and yoke assembly in position, start thread.</p>	<p>Tighten yoke down on piston shaft. Line-up set screw with flat part of shaft and tighten set screw.</p>	<p>Reattach Yoke to pump housing.</p>	<p>Lubricate piston shaft with Raritan Super Lube (#SL).</p>	