

SeaEra

Integral Intake Model (160MI* or 160HI*)

- Quick and easy raw water flush installation

ALL SeaEra Models

- Uses as little as 1 quart per flush
- Simple and flexible installation for mounting above or below waterline
- Bowl can be rotated 90° for mounting in confined spaces
- Heavy-duty marine push button switch included
- Available for 12, 24, 32V DC or 120/240V AC.

High quality electric marine toilet with proven reliability that meets the demands of real world boating and your budget

Household size bowls, fresh or raw water usage and 90 degree discharge options to meet any installation requirement

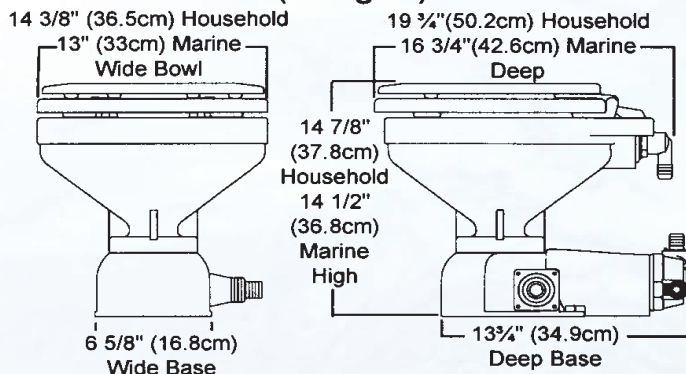
Raritan products are chosen by powerboat, sailboat, houseboat, and RV owners and manufacturers the world over for their dependability, environmental responsibility, simplicity of installation, operation, and maintenance. The product line includes house-hold style toilets, marine toilets, marine sanitation devices and systems, cleaning products, icemakers, water heaters, and rudder angle indicators.

To view our complete line as well as obtain installation and servicing guides: visit www.raritaneng.com

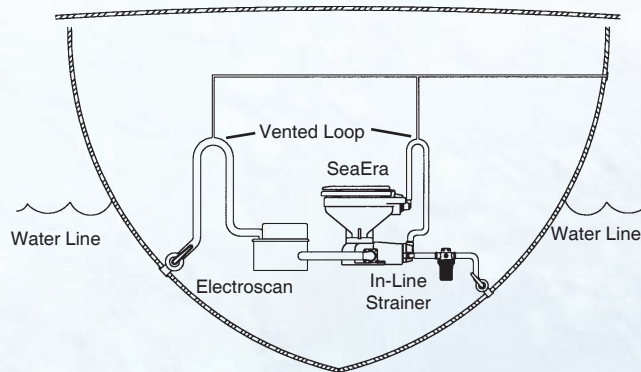
Recommended Wire and Fuse/Circuit Breaker Size

Units Voltage	Circuit Breaker/fuse size (amps)	Integral Pump and lower base Amp. draw @ nominal voltage	15 feet	20 feet	30 feet	40 feet	50 feet
12 VDC	25	18	10 AWG	8 AWG	6 AWG	6 AWG	4 AWG
24 VDC	15	10	14 AWG	14 AWG	12 AWG	10 AWG	10 AWG
32 VDC	15	7.5	14 AWG	14 AWG	14 AWG	12 AWG	12 AWG

Sea Water Model (Integral)



Integral Intake Pump Installation Below Waterline



The SeaEra is an economical electric macerating toilet that fits into confined spaces. This toilet was designed to meet the needs of boaters.

Engineering has developed a new built-in discharge fitting that can accept either 1 1/2" (38mm) or 1" (25mm) discharge lines without the need for an adapter. The SeaEra's discharge pump can handle a vented loop with a maximum height of five feet (1.52m) and utilizes a full-sized joker valve to help avoid clogging.

The inlet pump can lift water from four feet (1.22m) below the toilet and can be run dry without damaging the pump. To simplify a new installation or a retrofit, water can be routed from either side of the inlet pump using interchangeable 3/4" (19mm) hose barb fittings (two straight and one 90°)

Additional parts that are needed for installation:
Four stainless steel mounting bolts or lag screws

Product Models

Approximate Shipping Weight: 38-40lbs (17-18kg)

160	SeaEra	<input type="checkbox"/> H Household-style, white bowl	<input type="checkbox"/> I Integral pump	<input type="checkbox"/> 0 Straight Discharge	<input type="checkbox"/> 12 Specify Voltage
		<input type="checkbox"/> M Marine-size, white bowl			<input type="checkbox"/> 24
		<input type="checkbox"/> L Lower Base/ Conversion Kit			<input type="checkbox"/> 32
					<input type="checkbox"/> 24T 120/240

To order the correct unit for your installation make one selection from each column above.

Model sample: 160HI012 - SeaEra, Household-style, Integral pump, straight discharge, 12V

Conversion Kit sample: 160LI012 - SeaEra, Conversion Kit, Integral pump, straight discharge, 12V

Additional models are available. Call Raritan Technical Support for assistance in ordering the model that best suits your application.

For more information contact:

Raritan Engineering Company Inc.
530 Orange Street
Millville, NJ 08332, USA
Telephone: 856-825-4900
Toll Free: 1-800-352-5630
Fax: 856-825-4409
e-mail: info@raritaneng.com

Florida Telephone: 954-525-0378

