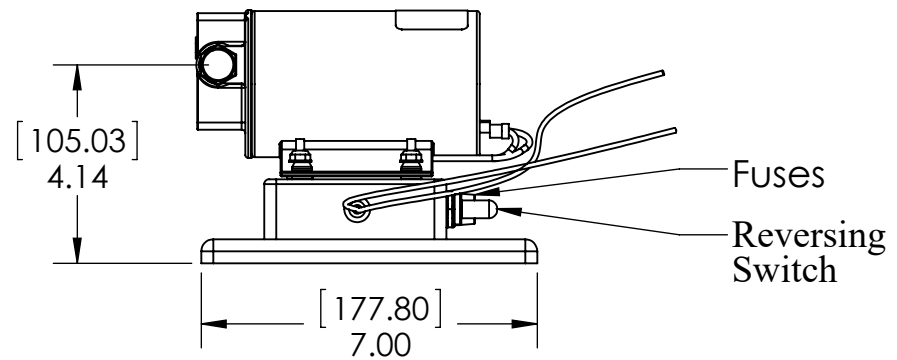
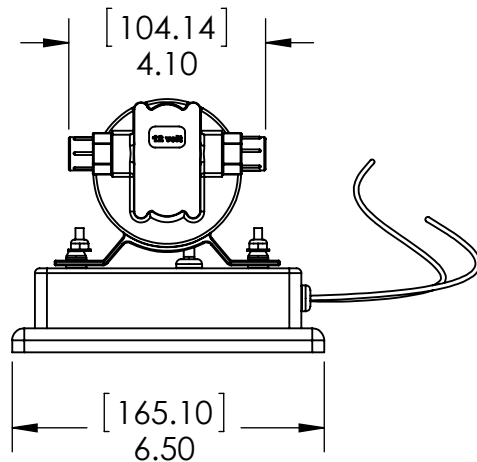
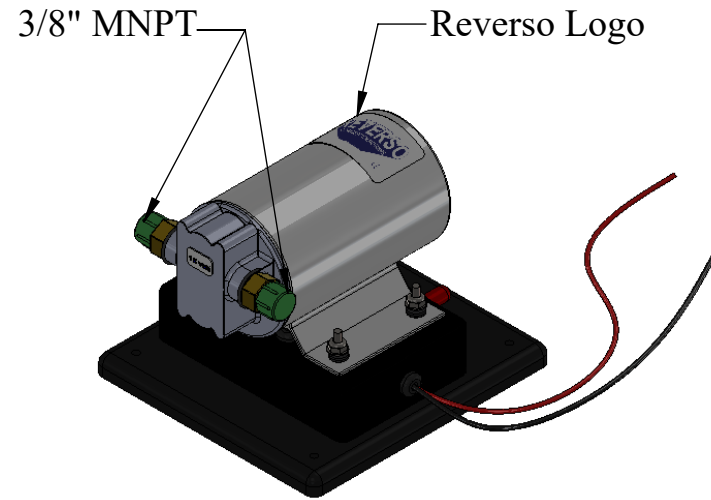
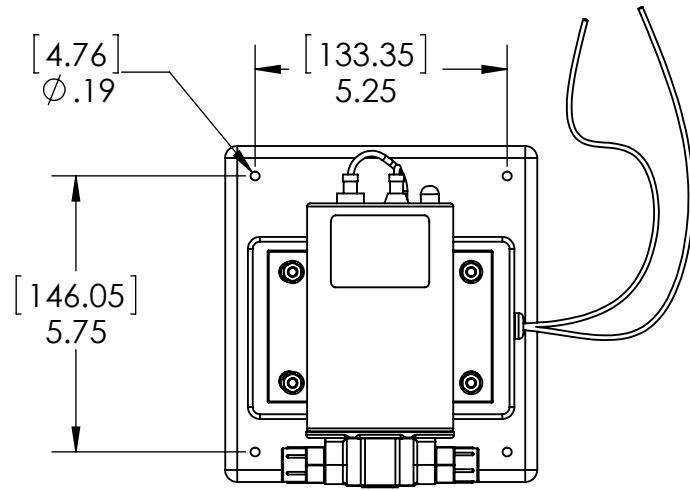


Part #: 29-2227

All Dimensions for Reference Only
Secondary Dimensions in Millimeters



All Dimensions for Reference Only

TECHNICAL SPECIFICATIONS

Port Size - 3/8" MNPT
Weight - 6.8 lbs. / 3 kg
Power - 12 Volt @ 7.5AMP
Flow Rate - 2.1 GPM / 7.9 LPM

PROPRIETARY AND CONFIDENTIAL

THE INFORMATION CONTAINED IN THIS DRAWING IS THE SOLE PROPERTY OF **REVERSO PUMPS**. ANY REPRODUCTION IN PART OR AS A WHOLE WITHOUT THE WRITTEN PERMISSION OF **REVERSO PUMPS** IS PROHIBITED.

UNLESS OTHERWISE SPECIFIED:

DIMENSIONS ARE IN INCHES
TOLERANCES:
FRACTIONAL ±1/64
ANGULAR: MACH ± BEND ±0.2
TWO PLACE DECIMAL ±.01
THREE PLACE DECIMAL ±.005
DO NOT SCALE DRAWING

	NAME	DATE
DRAWN	JC	9/22/2017
CHECKED	JC	9/25/2017
ENG APPR.		
MFG APPR.		
Q.A.		

COMMENTS:

REVERSO PUMPS

TITLE: **GP-302R-12L - GP-302 Low Speed Pump with Base and Reversing Switch - 12 volt**

SIZE	DWG. NO.	REV
A	GP-302R-12L-ER-R_A	A
SCALE: 1:4	WEIGHT:	SHEET 1 OF 1