

Reverso has been the premier maker of oil change systems for over 20 years. This product is installed as standard equipment by a majority of boat builders.

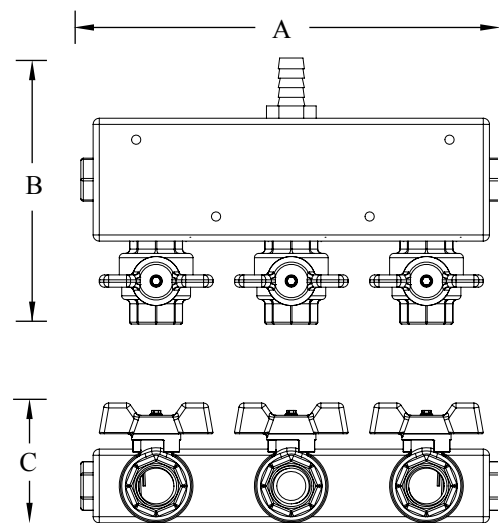
- For oil
- Allows multiple hoses to be connected to one pump
- Mount in any direction
- Mounting holes are pre-drilled for easy installation
- Marine grade Starboard
- Nickel brass full flow 1/2" ball valves.
- 1/2" Hose Barb.
- Available with valve options 2-7



Technical Specification

Manifold Ports	1/2" Female NPT
Valves	Nickel chromed full flow ball valve
Max. Working Pressure	150 psi (10.3 bar)
Materials	Marine King Starboard
Mounting Holes	3/16"
Color	White or Black

Model	Valves	A	B	C	Weight
VA-2	2	5" (381mm)	5.40" (137.16mm)	2.50" (63.5mm)	1 lbs (0.45 kg)
VA-3	3	8.125" (206.4mm)	5.40" (137.16mm)	2.50" (63.5mm)	1 lbs (0.45 kg)
VA-4	4	1.125" (282.6mm)	5.40" (137.16mm)	2.50" (63.5mm)	2 lbs (0.90 kg)
VA-5	5	13.688" (347.7mm)	5.40" (137.16mm)	2.50" (63.5mm)	2 lbs (0.90 kg)
VA-6	6	15.813" (401.7mm)	5.40" (137.16mm)	2.50" (63.5mm)	2 lbs (0.90 kg)
VA-7	7	18.625" (473.1mm)	5.40" (137.16mm)	2.50" (63.5mm)	3 lbs (1.36 kg)



Drawing dimensions for reference only.
Technical drawings available upon request.

Shown: VA-3