

## Oil Change System with Gear Pump

Reverso has been the premier maker of oil change systems for over 20 years. This product is installed as standard equipment by a majority of boat builders.

- Reversible (Drains and fills engines)
- Self-priming
- Compact
- Simplifies oil changes
- Reduces chances of oil spills
- Available with valve options 3 - 5

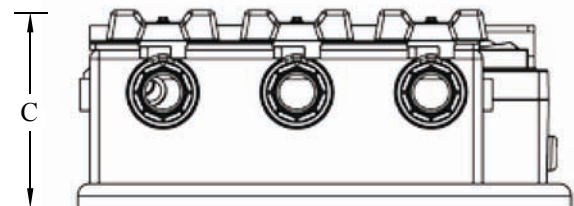
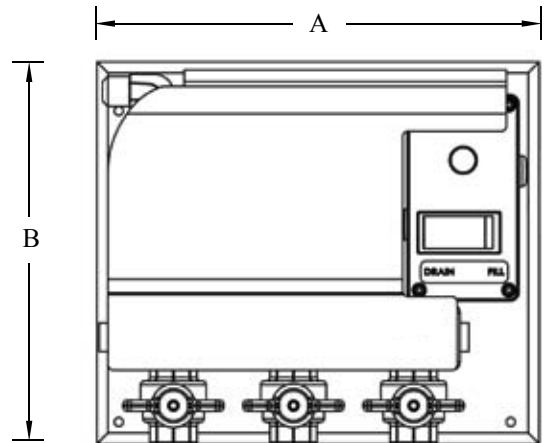
### Technical Specification

|                |                           |
|----------------|---------------------------|
| Pump Port      | 1/2" Flare                |
| Manifold Ports | 1/2" NPT full flow valve  |
| Flow Rate      | 3 GPM (11.35 LPM)         |
| Self-priming   | 5 ft (1.52 m) (wet gears) |
| Lift           | 15 ft (4.6 m)             |
| Pump body      | Brass                     |
| Gears          | Bronze                    |
| Shaft          | Stainless Steel           |
| Seal           | Fluoroelastomer lip seal  |
| Motor          | 12V or 24V DC             |
| Breaker        | 20A@12V, 10A@24V          |

| Pressure | 12V Flow | 12V Amp | 24V Flow | 24V Amp |
|----------|----------|---------|----------|---------|
| 0.2 psi  | 2.8 GPM  | 3.9 A   | 2.9 GPM  | 1.7 A   |
| 10 psi   | 2.6 GPM  | 4.8 A   | 2.8 GPM  | 2.3 A   |
| 15 psi   | 2.4 GPM  | 5.3 A   | 2.6 GPM  | 2.7 A   |
| 20 psi   | 2.3 GPM  | 6.3 A   | 2.6 GPM  | 3.1 A   |
| 25 psi   | 2.1 GPM  | 6.7 A   | 2.4 GPM  | 3.6 A   |
| 30 psi   | 1.9 GPM  | 7.5 A   | 2.3 GPM  | 4.1 A   |
| 35 psi   | 1.6 GPM  | 8.3 A   | 2.3 GPM  | 4.4 A   |
| 40 psi   | 1.4 GPM  | 8.5 A   | 2.1 GPM  | 4.7 A   |

| Model   | A               | B              | C              | Weight          |
|---------|-----------------|----------------|----------------|-----------------|
| GP-3023 | 11.5" (292.1mm) | 9.5" (241.3mm) | 4.5" (114.3mm) | 13 lbs (5.90kg) |
| GP-3024 | 14.3" (363.2mm) | 9.5" (241.3mm) | 4.5" (114.3mm) | 14 lbs (6.35kg) |
| GP-3025 | 14.3" (363.2mm) | 9.5" (241.3mm) | 4.5" (114.3mm) | 15 lbs (6.38kg) |

| Part Number | Valves | Description |
|-------------|--------|-------------|
| GP-3023-12  | 3      | 12 Volt     |
| GP-3023-24  | 3      | 24 Volt     |
| GP-3024-12  | 4      | 12 Volt     |
| GP-3024-24  | 4      | 24 Volt     |
| GP-3025-12  | 5      | 12 Volt     |
| GP-3025-24  | 5      | 24 Volt     |



Drawing dimensions for reference only.  
 Technical drawings available upon request. Shown: GP-3023-12