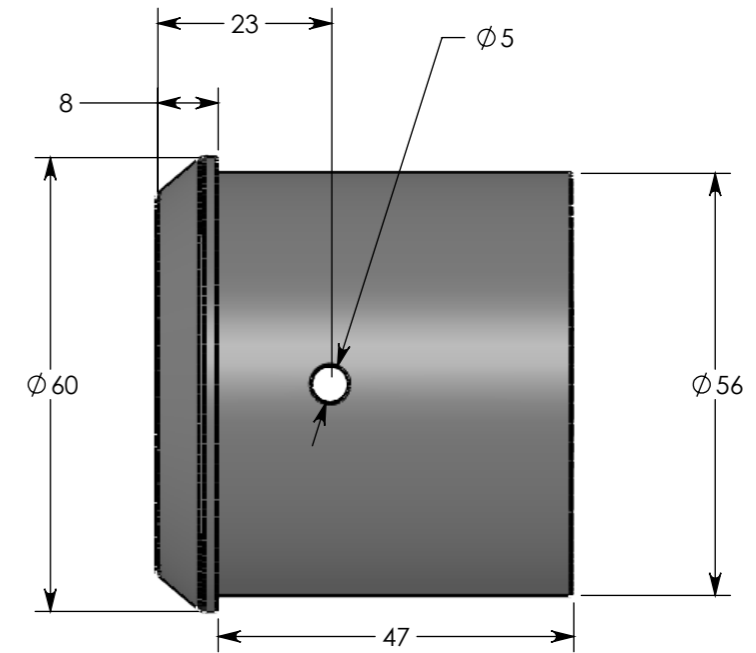
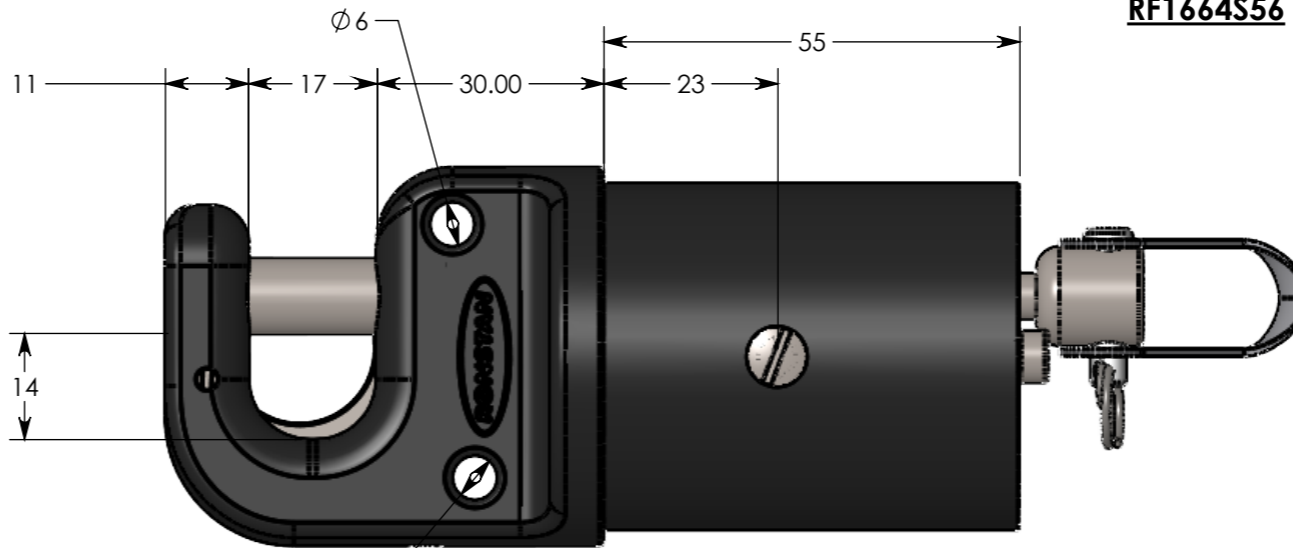
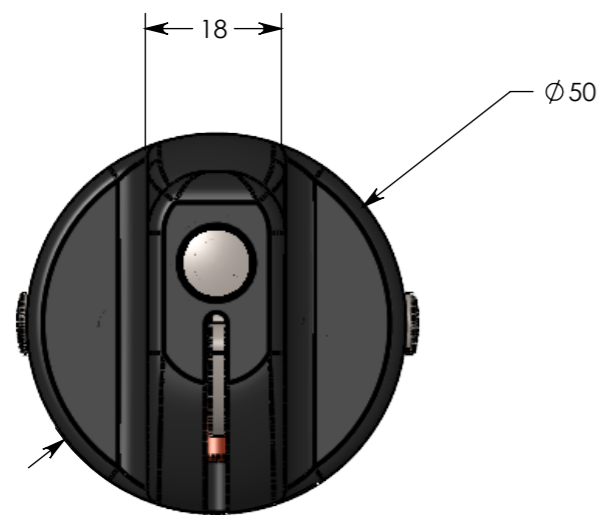


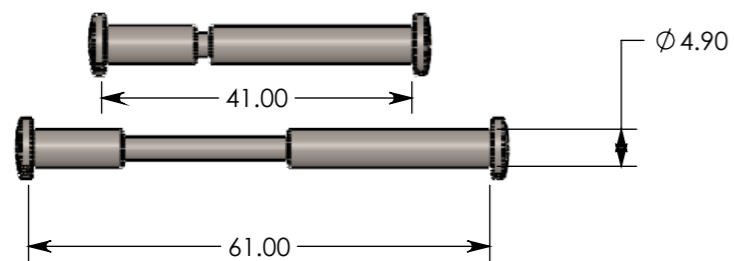
**RF1664S48**



**RF1664S56**



**RF1664**



THE DOCUMENT & THE DESIGN ON IT IS THE EXCLUSIVE PROPERTY OF RONSTAN INTERNATIONAL PTY. LTD. & IS THE SUBJECT OF COPYRIGHT.



DATE: 11.2.22  
ALL DIMS IN MM  
DO NOT SCALE

[www.ronstan.com](http://www.ronstan.com)

TITLE: **SMALL POLE ENDS, 47mm TO 56mm ID, SPEC SHEET** **A3**