
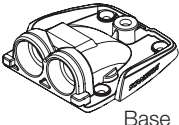
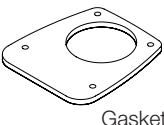
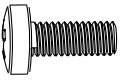



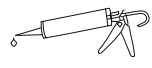


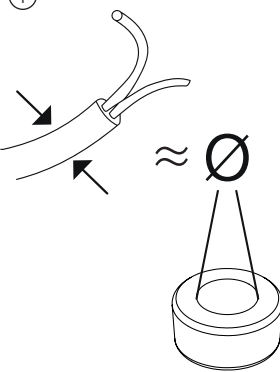


Part List		
	Shell	x1
	Base	x1
	Gasket	x1
	M5X 10 Bolt - (Black)	x1
	No. 6 X16 Self tapping screw	x4
	2x Blank 2x 6mm 2x 7mm 2x 8mm 2x 9mm 2x 10mm	Bungs
		x6

Tools Required	
	Pozi Screwdriver
	Silicone
	ø2.5mm (3/32") ø3mm (1/8") Drill Bit
	ø32mm (1-1/4") Hole Saw/Drill Bit

①



Choose bung closest to cable ø.

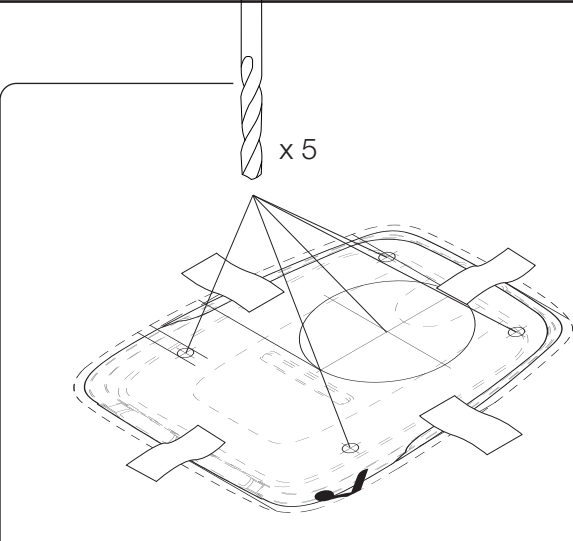
DE - Wähle Dichtung nahe dem Kabel ø.

IT - Scegliere il passafili adatto al ø del cavo.

ES - Elija el tapón con el diámetro más parecido al cable.

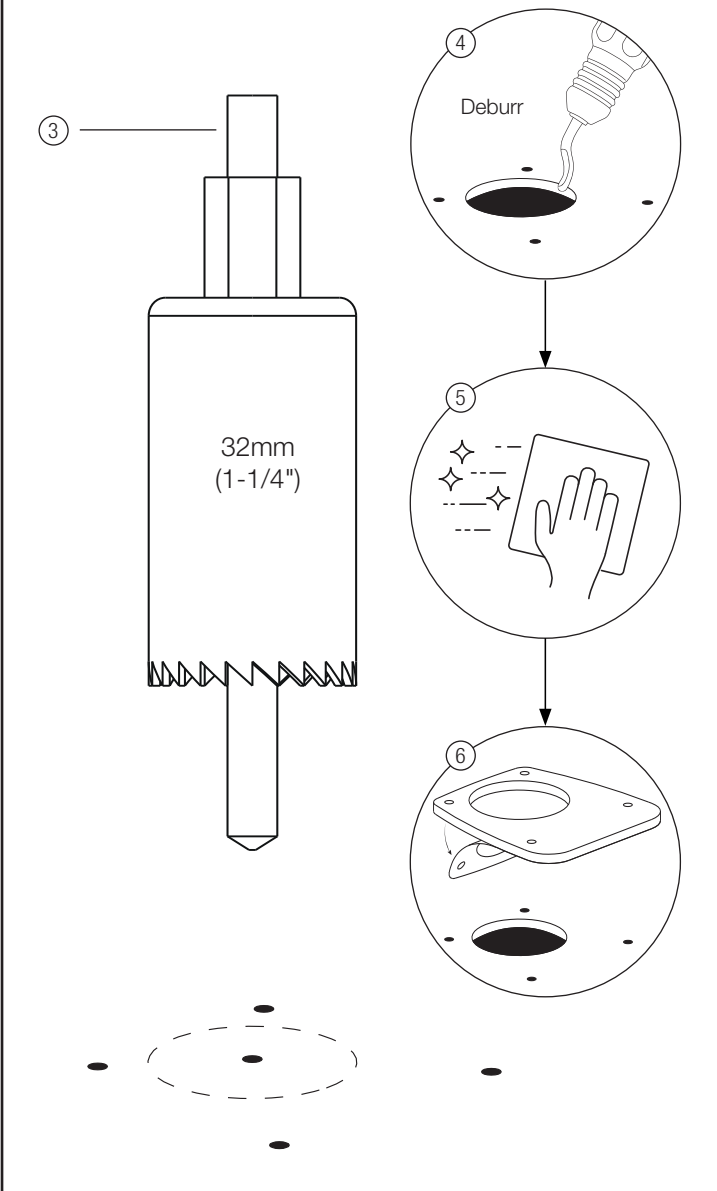
FR - Choisissez le joint le plus proche du diamètre du câble.

②



x 5

Material	Drill	Fixing
Soft Material e.g. plywood	2.5mm (3/32")	No.6 Screw (Included)
Hard Material e.g. fiberglass, hardwoods, acrylics	3mm (1/8")	
Metal e.g. Steel, aluminium	3mm (1/8")	<u>Recommended</u> >12mm x M3 Countersunk Bolt with washer and Nyloc (Not included)



32mm (1-1/4")

4 Deburr

5

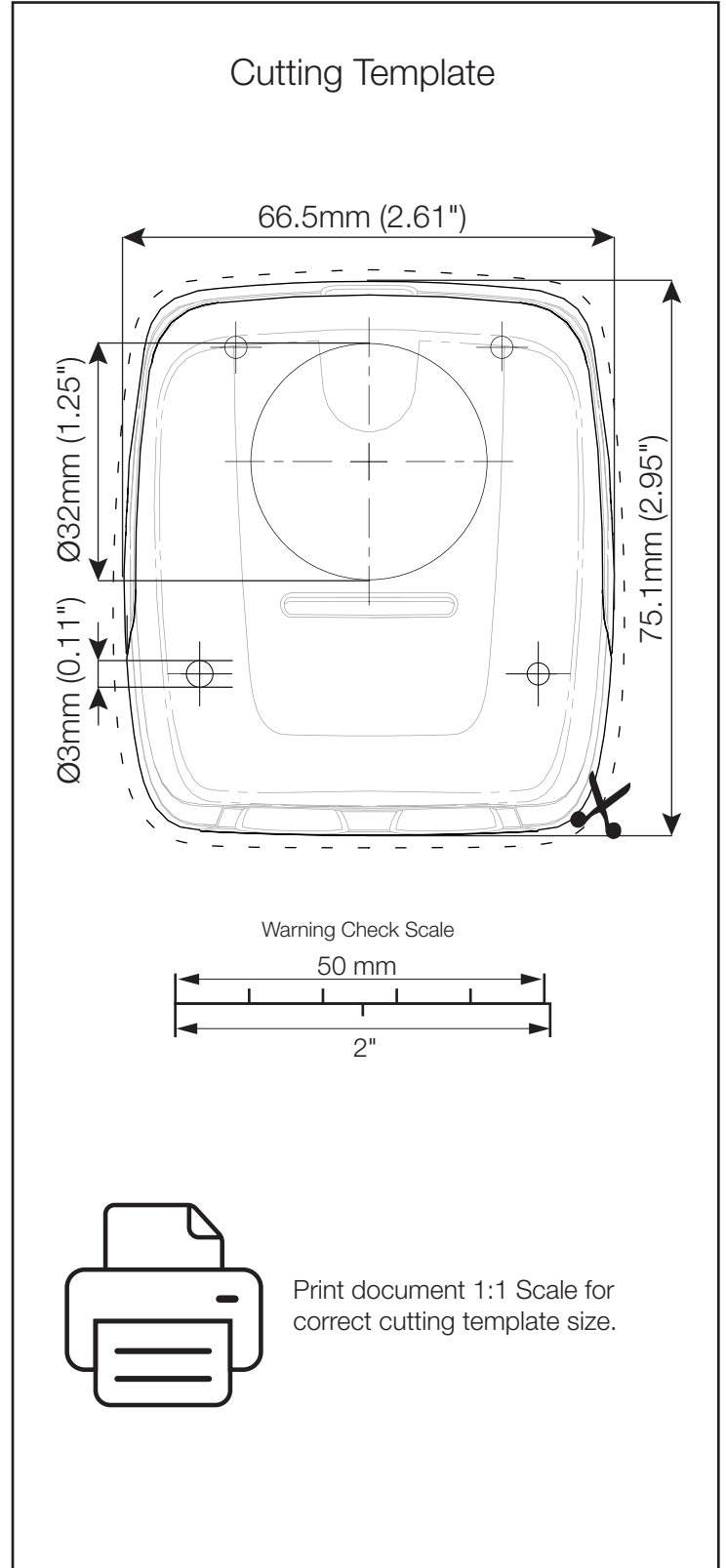
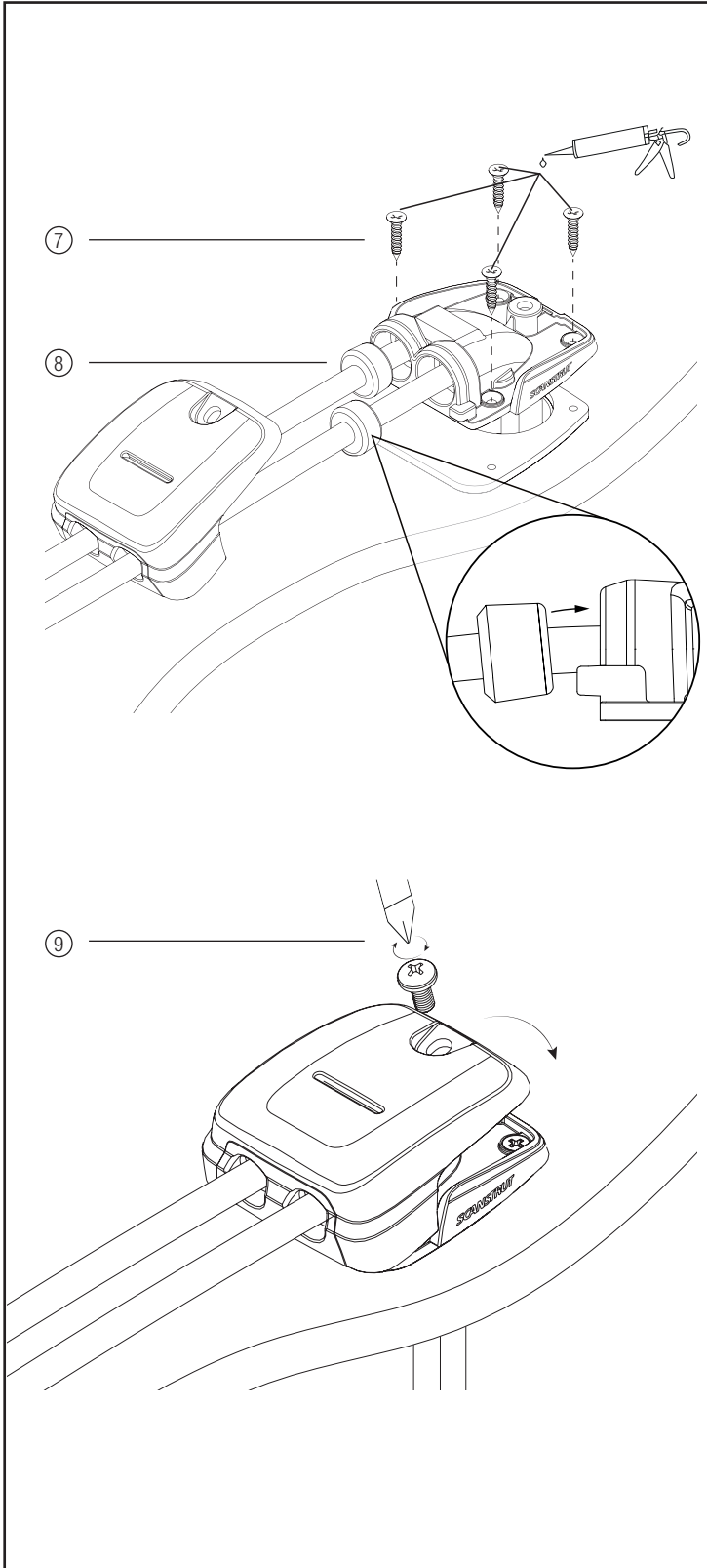
6

UK & International
+44 (0)1392531280
sales@scanstrut.com

For further installation
and warranty information
please visit:
www.scanstrut.com

USA
+1 860 308 1416
usasales@scanstrut.com

SCANSTRUT®



UK & International
+44 (0)1392531280
sales@scanstrut.com

For further installation
and warranty information
please visit:
www.scanstrut.com

USA
+1 860 308 1416
usasales@scanstrut.com

