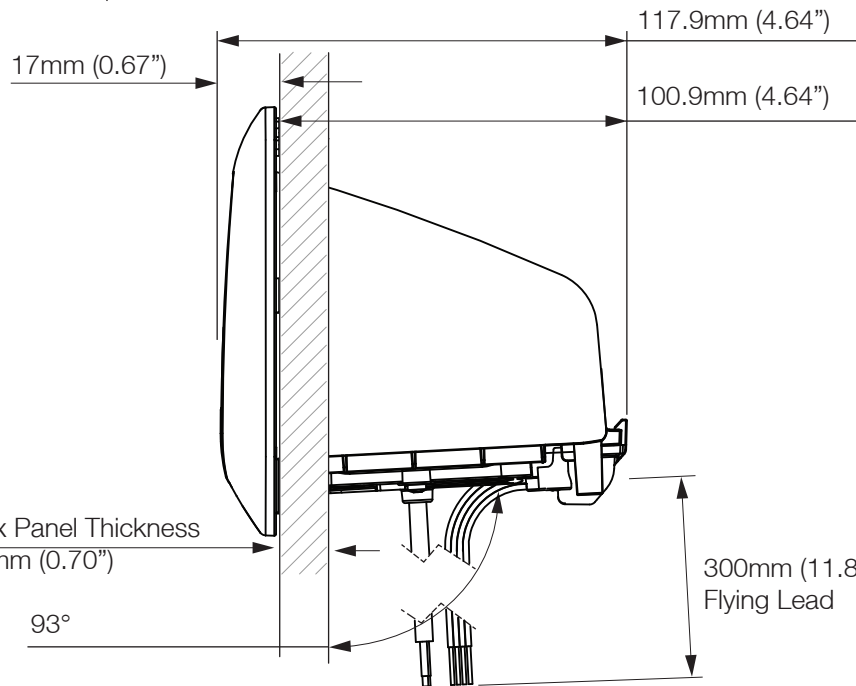
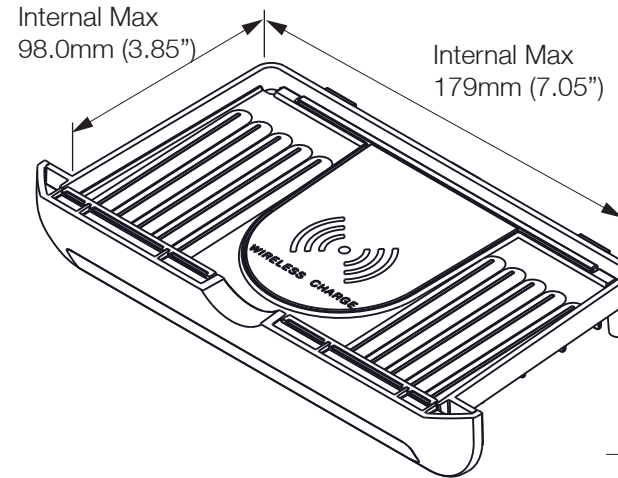
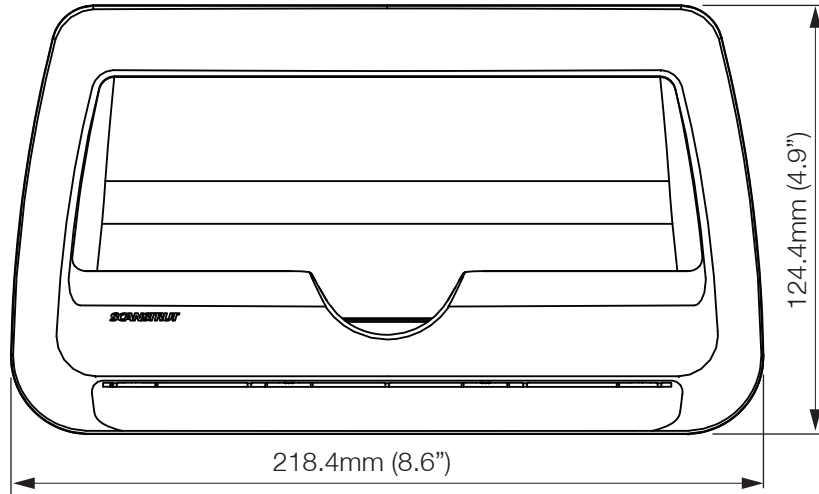
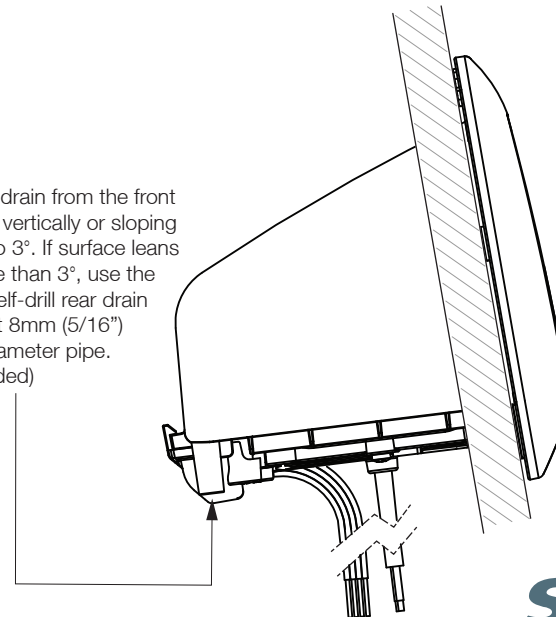


ROKK Wireless Cove LED. 10W - SC-CW-10F

Email: sales@scanstrut.com Email: usasales@scanstrut.com



Water will drain from the front if installed vertically or sloping back up to 3°. If surface leans back more than 3°, use the optional self-drill rear drain holes. Suit 8mm (5/16") internal diameter pipe. (Not included)



Technical information. Wireless Charger.

Input voltage range	10-30V DC (12/24V system)
Input current max	2A
Output power	10W (9.1V, 1A)
Standby power draw	< 0.2W
Waterproof rating	IPX5 front and back
Certification	Qi, CE, UKCA, FCC, ROHS, C-Tick, UNECE R10 E24, UKCA, IC, PSE

LED.

Input voltage 12V DC	9-15V	
Input current max	0.2A	
Standby power draw	< 0.0W	
Optional Driver Specification	TYPE	RGB
	Input	12 or 24V
	Output	12V
Power	As required for LED harness	

SCANSTRUT®

ROKK Wireless Cove LED. 10W - SC-CW-10F

Email: sales@scanstrut.com Email: usasales@scanstrut.com

