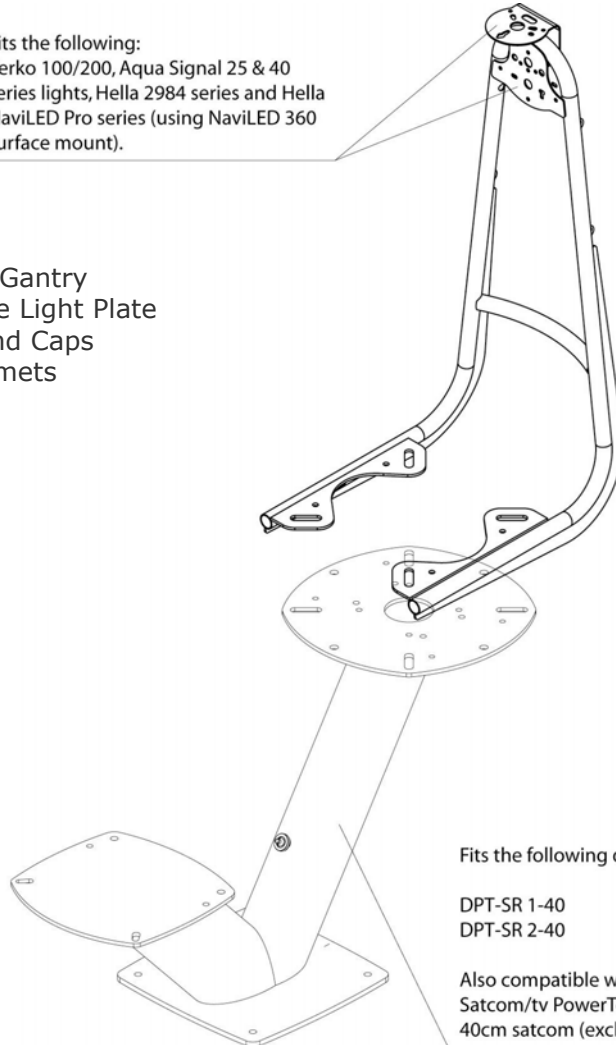


**Dual PowerTower Gantry Mount – SC114-40**  
**Installation Instructions**

Fits the following:  
Perko 100/200, Aqua Signal 25 & 40  
series lights, Hella 2984 series and Hella  
NaviLED Pro series (using NaviLED 360  
surface mount).

**Kit Contents**

- [ ] 1 x SC114-40 Gantry
- [ ] 1 x Fore Light Plate
- [ ] 2 x Ø23mm End Caps
- [ ] 3 x PVC Grommets



Fits the following dual PowerTowers® only:

DPT-SR 1-40                      DPT-SO 1-40  
DPT-SR 2-40                      DPT-SO 2-40

Also compatible with Aluminium, Stainless and  
Satcom/tv PowerTower® when installed with 30cm &  
40cm satcom (excl. Fleet 33 & 55).

**Fitting SC114-40**

1. Install all lights prior to fitting the SC114-40 to the Dual PowerTower.
2. Gather cables into looms and route through the nearest hole to mounting location, then out of the holes in the horizontal arms of the SC114-40. The cable looms can then be routed into one of the water tight cable glands in the back of the Dual PowerTower.
3. The SC114-40 fits to the underside of the top plate of the Dual PowerTower. One set of fixing holes on the SC114-40 will match up with fixing holes of your Satcom Dome.
4. With the addition of large washers to spread load use the fixings for the Satcom Dome to connect the SC114-40, Dual PowerTower Top plate and Satcom Dome together. Fully tighten all fixings. We also recommend spring washers to ensure bolts/nuts stay fully tightened.

**Dual PowerTower Gantry Mount – SC114-60**  
**Installation Instructions**

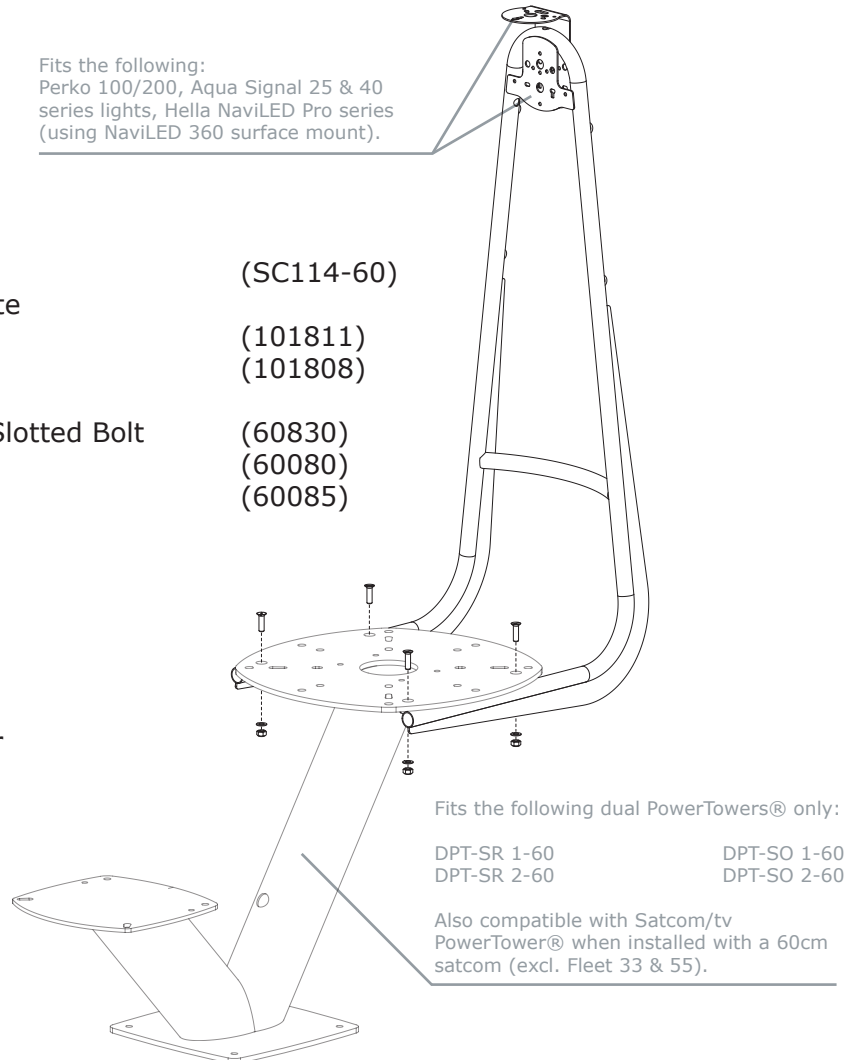
Fits the following:  
Perko 100/200, Aqua Signal 25 & 40 series lights, Hella NaviLED Pro series (using NaviLED 360 surface mount).

**Kit Contents**

[ ]	1 x SC114-60 Gantry	(SC114-60)
[ ]	1 x Fore Light Plate	
[ ]	2 x Ø25mm End Cap	(101811)
[ ]	3 x Black Grommet	(101808)
[ ]	1 x Fastening Pack	
[ ]	4 x M8 x 30 C/S Slotted Bolt	(60830)
[ ]	4 x M8 Nyloc nut	(60080)
[ ]	4 x M8 Washer	(60085)

**Tools Required**

- 1 x Large Flat Head Screwdriver
- 1 x 13mm Spanner



**Fitting SC114-60**

1. Install all lights prior to fitting the SC114-60 to the Dual PowerTower.
2. Gather cables into looms and route through the nearest hole to mounting location, then out of the holes in the horizontal arms of the SC114-60. The cable looms can then be routed into one of the water tight cable glands in the back of the Dual PowerTower.
3. The SC114-60 fits to the underside of the top plate of the Dual PowerTower. Position the lugs of the gantry under the top plate, in line with the four countersunk holes. Use the M8 bolts, nuts and washers provided to fasten the gantry in place, as shown in the above diagram.