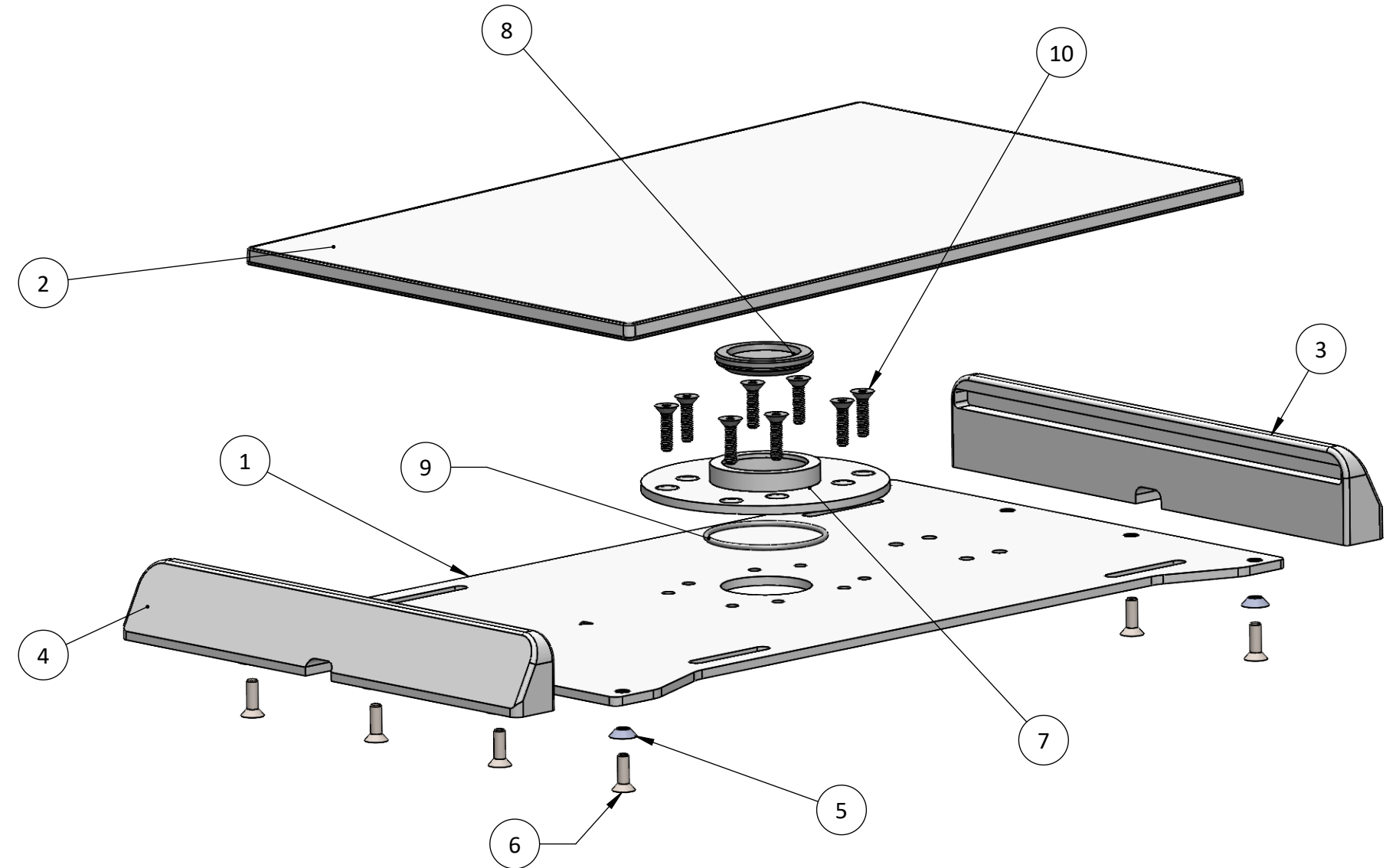


ITEM NO.	DESCRIPTION	QTY.
1	PLATE	1
2	STARLINK GEN 3/4 (NOT INCLUDED)	1
3	TALL END CAP	1
4	SHORT END CAP	1
5	CONE WASHER	8
6	5/16"-18" X 1" CS SCREW	8
7	FLANGE	1
8	GROMMET	1
9	O-RING	1
10	5/16"-18 X 1.25" CS SCREW	8

1. MAKE SURE ITEM (9) (O-RING) IS IN THE O-RING GROOVE ON THE BOTTOM OF ITEM (7).
2. ALIGN ITEM (7) (FLANGE) TO ITEM (1) (PLATE) AS SHOWN. USING ITEM (10) (5/16"-18 X 1.25" SCREWS) BOLT ITEM (7) AND ITEM (1) INTO SEAVIEW PEDESTAL (**TORQUE: 8-10 FT-LBF**).
3. ROUTE POWER/DATA/ADMIN CABLES, ENSURING THAT ITEM (8) (GROMMET) IS SECURED TO ITEM (7) (FLANGE).
4. ALIGN ANTENNA WITH BOTH END CAPS (PLEASE SEE FWD ORIENTATION ON NEXT SHEET), AND SECURE END CAPS TO PLATE USING ITEMS (5) & (6). (**TORQUE: 8-10 FT-LBF**).

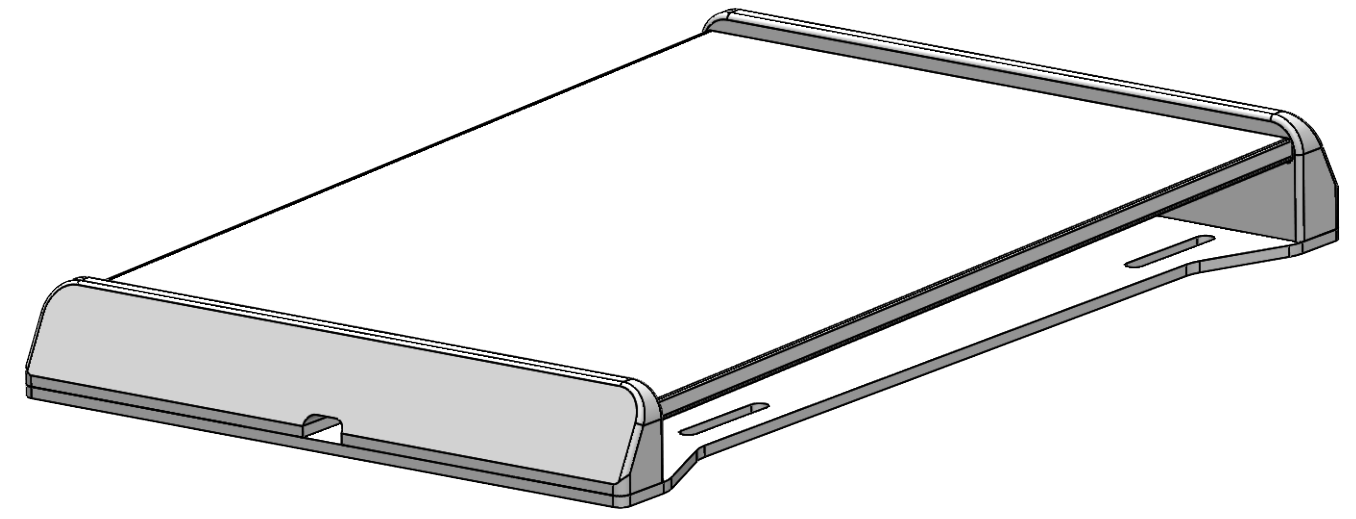
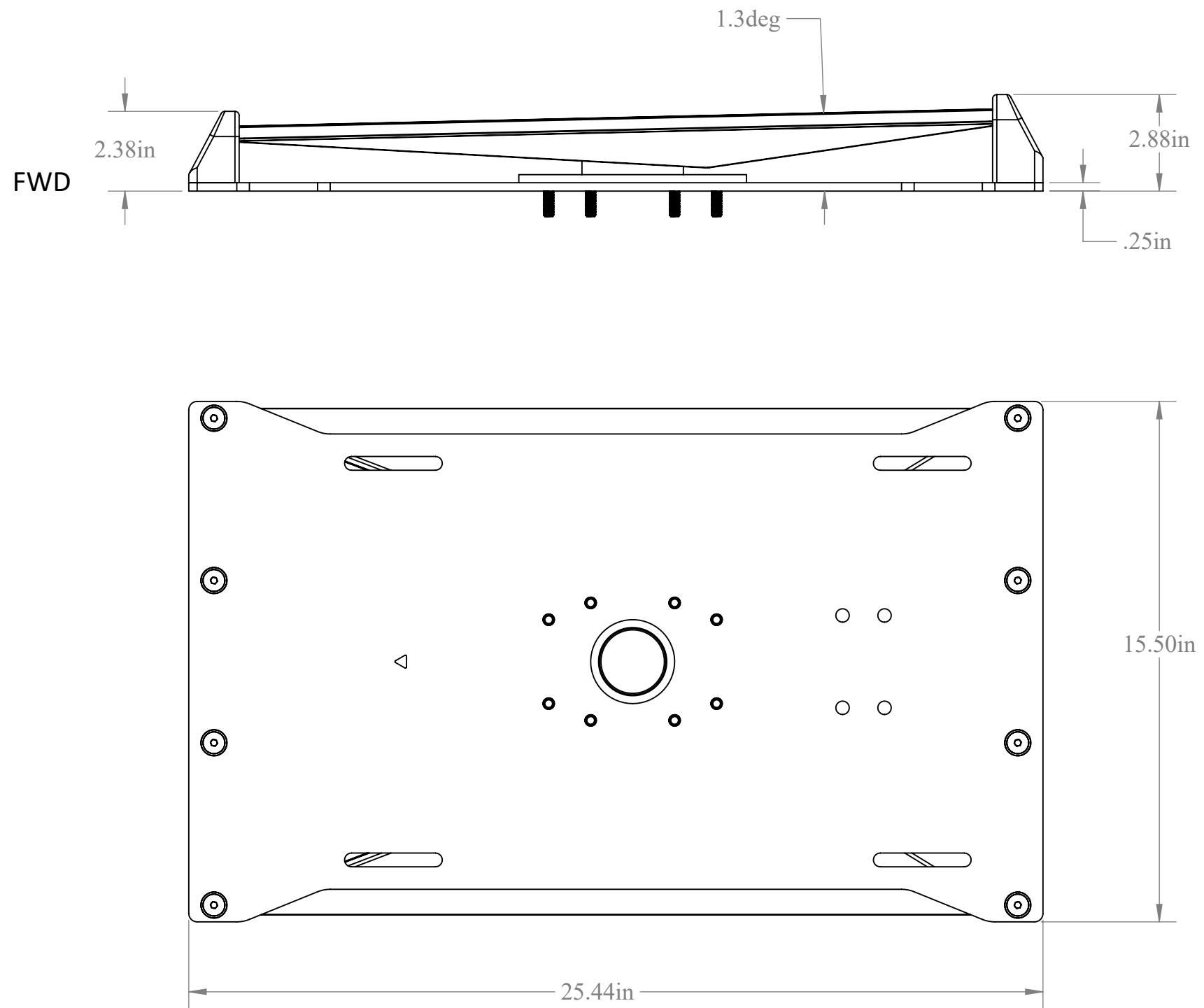


Notes:

1. Please note that some dimensions may not be shown (applies to all sheets)
2. Do not scale drawing (applies to all sheets)

ADAG3

For help e-mail
info@seaviewglobal.com
 ph. 1-800-655-7922



ADAG3

For help e-mail
info@seaviewglobal.com
ph. 1-800-655-7922