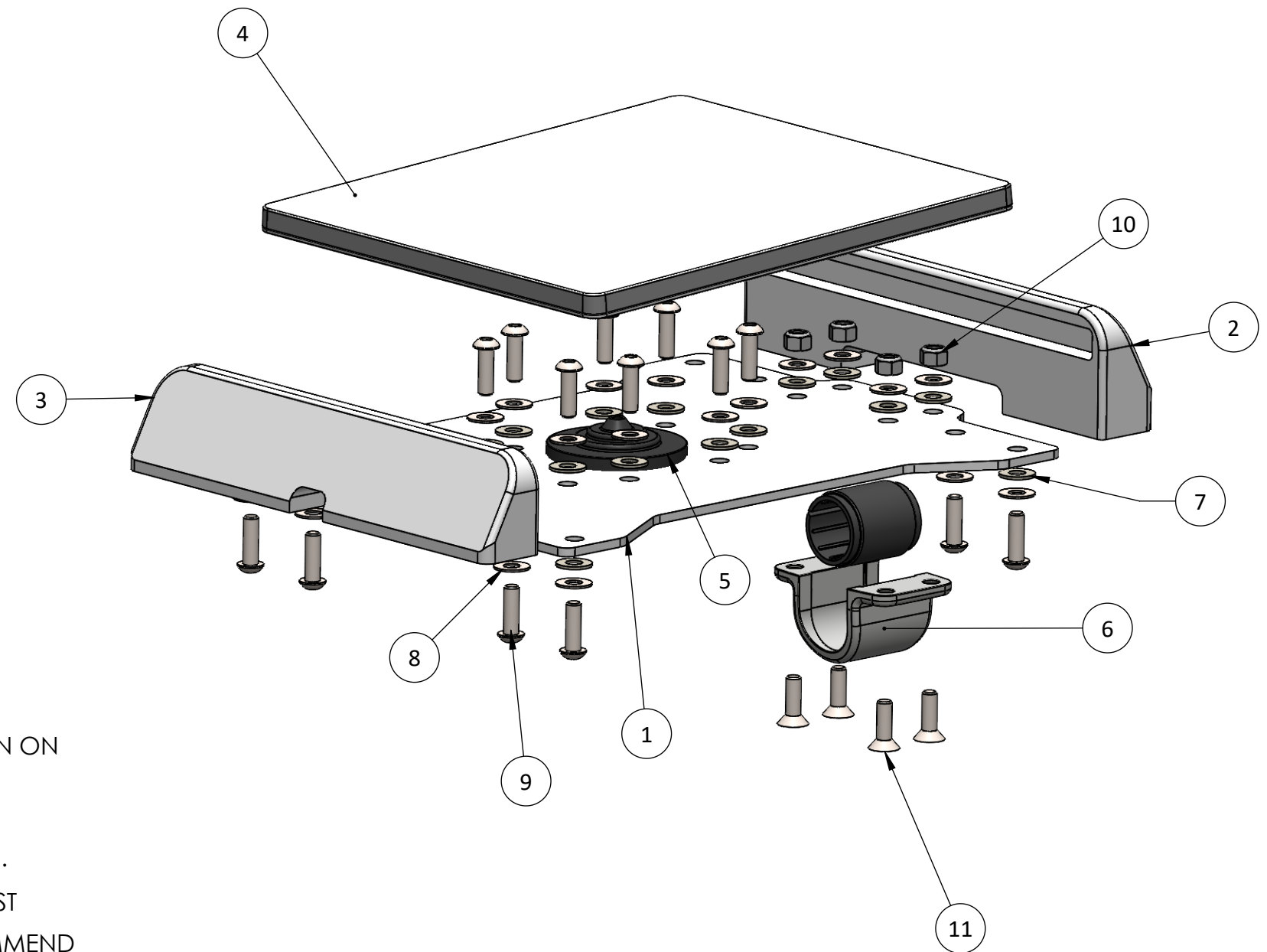


ITEM NO.	PART NUMBER	QTY.
1	ADASMP	1
2	GMDM100A	1
3	GMDM100B	1
4	STARLINK MINI (NOT INCLUDED)	1
5	ADAGMT	1
6	<i>LTBSADDLEKIT (INCLUDED WITH OPTIONAL LIGHT BAR SOLD SEPARATELY)</i>	1
7	516NW	20
8	516SSW	20
9	516181BHCS	16
10	51618NUT	4
11	516181FHCS	4

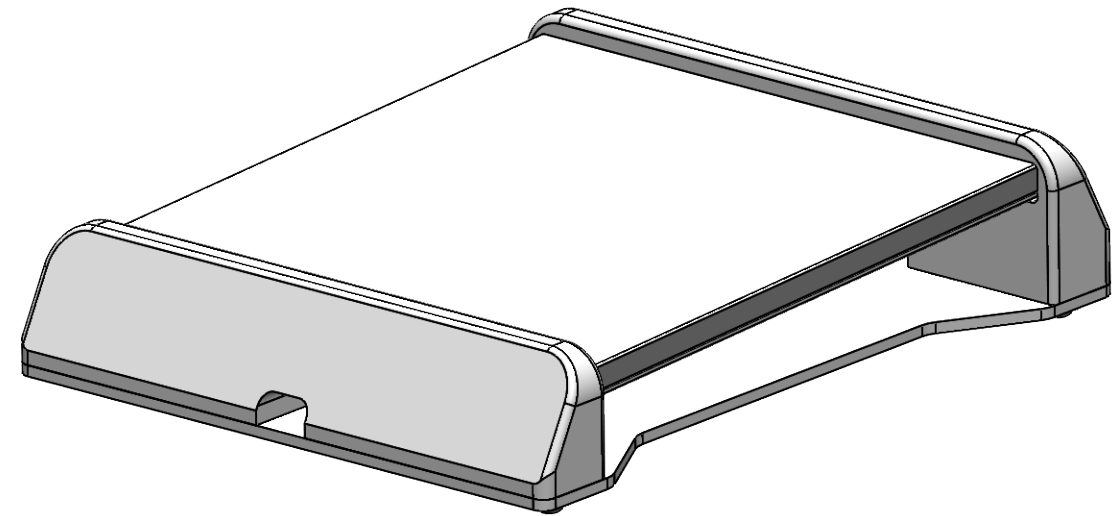
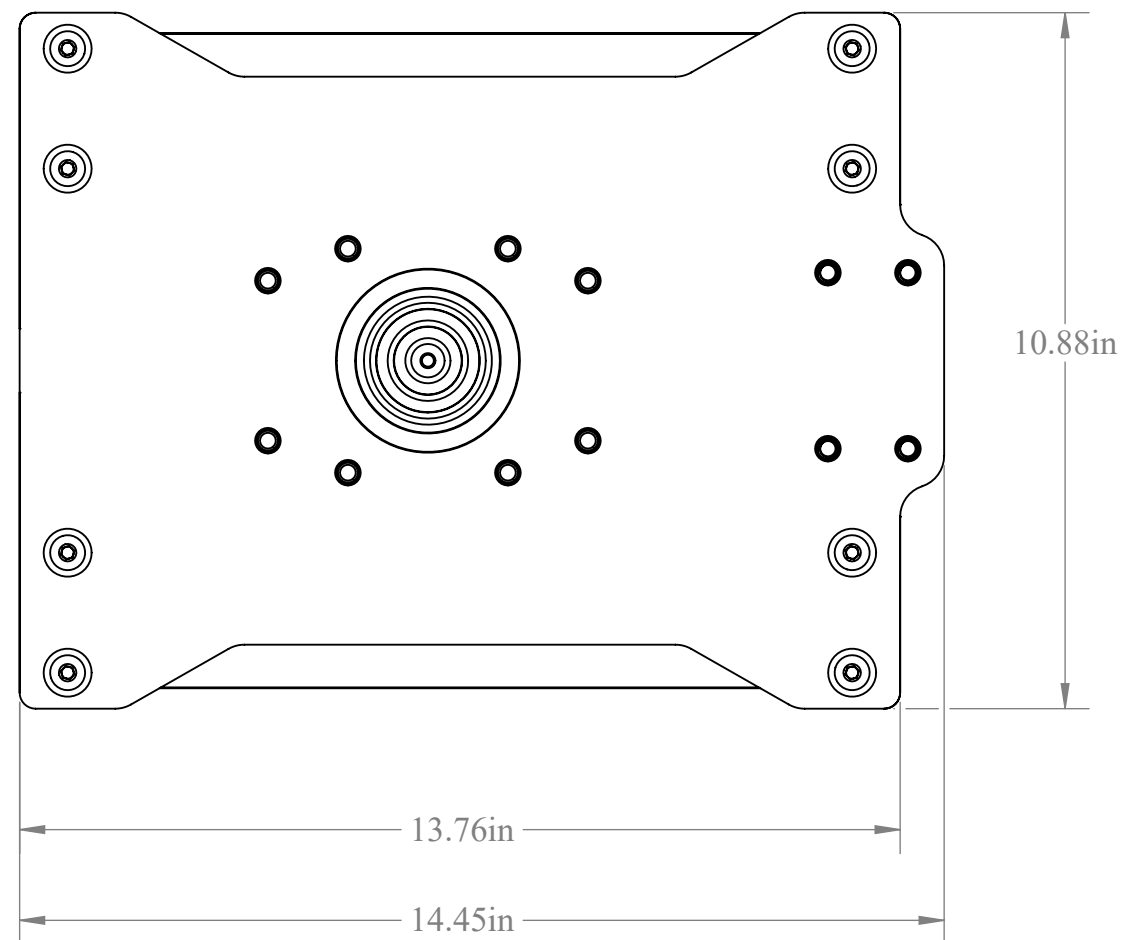
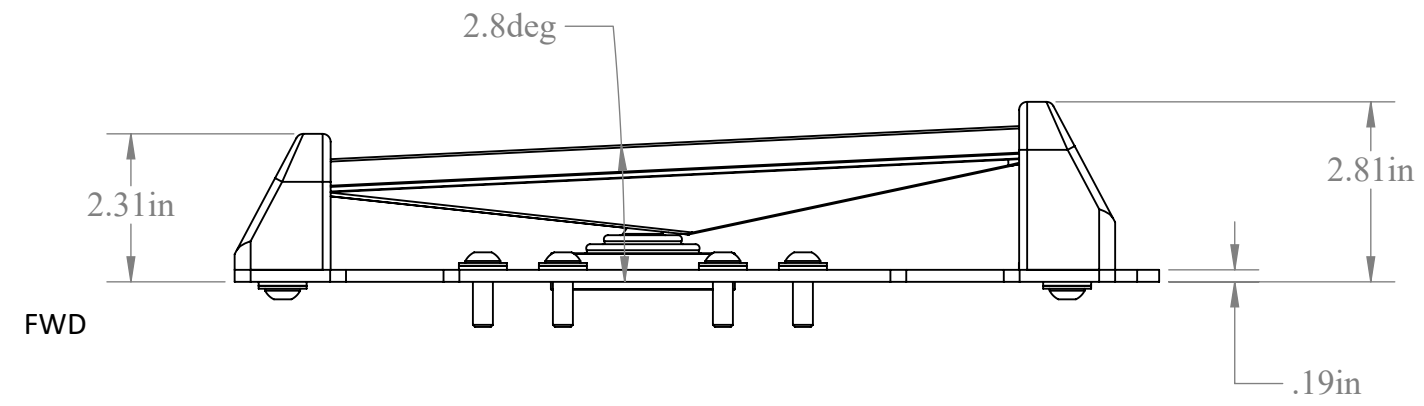


1. MAKE SURE ITEM (5) (ADAGMT) IS INSTALLED IN THE CENTER HOLE OF THE ALUMINUM PLATE.
2. USING ITEM (9), BOLT ITEM (1) ONTO SEAVIEW PEDESTAL/MOUNT.
3. ROUTE POWER/DATA/ADMIN CABLES THROUGH ITEM (5).
4. ALIGN ANTENNA WITH END CAPS (2) & (3) (PLEASE SEE FWD ORIENTATION ON THE NEXT SHEET), AND SECURE END CAPS TO PLATE USING ITEMS (7) - (9).
5. OPTIONAL LIGHT BAR IS INSTALLED USING ITEMS (6), (7), (8), (10), (11).
6. IF YOU ARE INSTALLING THIS MOUNT WITH A SEAVIEW SPREADER KIT, YOU MUST PROVIDE BOLTS TO SECURE ITEM (1) INTO SEAVIEW PEDESTAL. WE RECCOMMEND USING 5/16"-18 X 2.5" BUTTON HEAD CAP SCREWS (QUANTITY 8).

ADAMINI

Notes:

- Please note that some dimensions may not be shown.
- Do not scale drawing.
- For help, e-mail info@seaviewglobal.com; ph. 1-800-655-7922.



ADAMINI