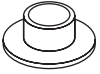


**PMF-107-M1, PMA-107-M1, PMA-167-M1  
PMA-247-M1, PMA-367-M1**

# **INSTALLATION INSTRUCTIONS**

# PARTS INCLUDED



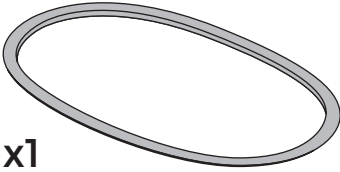
x4



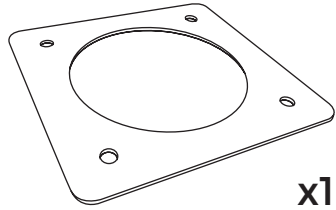
x1



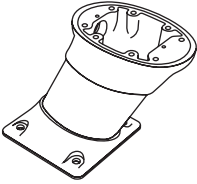
x1



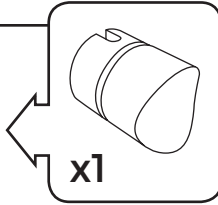
x1



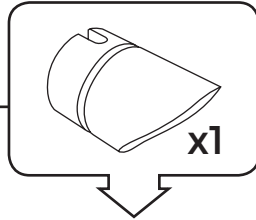
x1



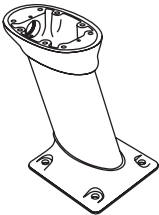
PMF-107-M1



x1



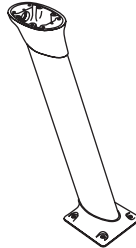
x1



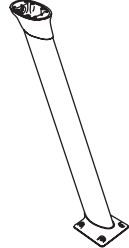
PMA-107-M1



PMA-167-M1



PMA-247-M1



PMA-367-M1

# TOOLS NEEDED



x4



x4

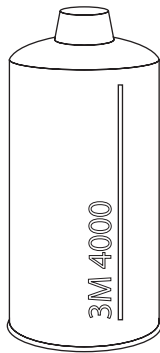
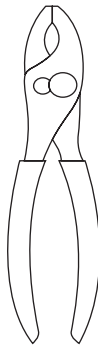


x4

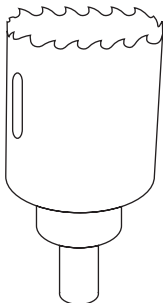
$\frac{3}{8}$  inch = 9.5mm



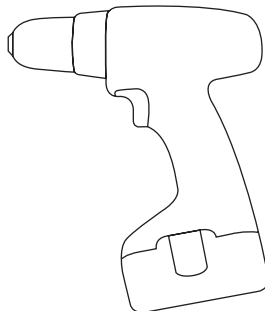
$\frac{3}{8}$  inch = 9.5mm



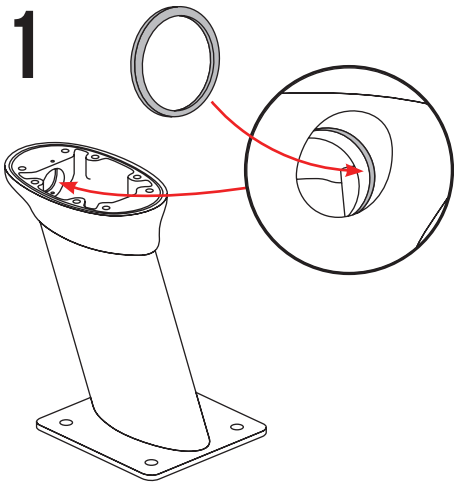
3M 4000 or equivalent



$1\frac{1}{2}$  inch = 38mm

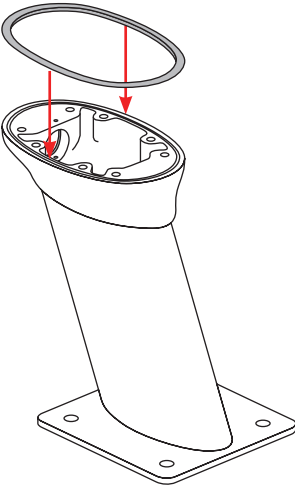


**1**



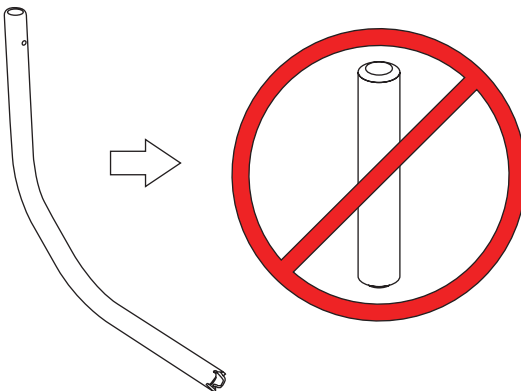
Insert the rubber grommet into the groove located in the light bar hole at the back of the mount.

**2**



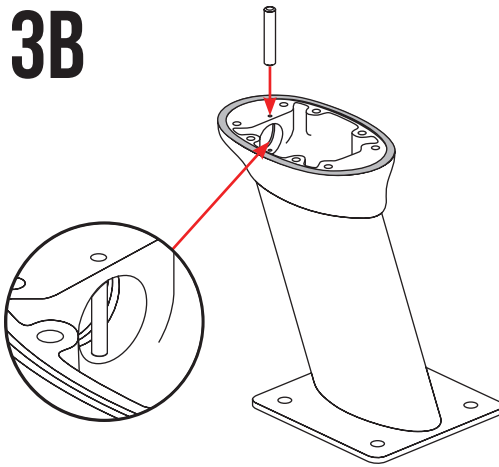
Place rubber gasket in the groove on the top of the mount.

**3A**



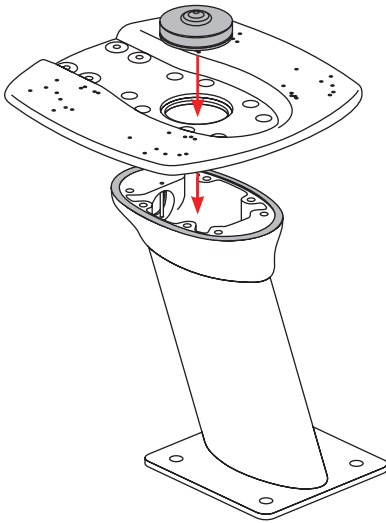
If you are using a light bar, do not use the copper pin.

# 3B



If you are not using a light bar insert the copper pin. Then insert the white plastic plug into the light bar hole. It should snap onto the copper pin.

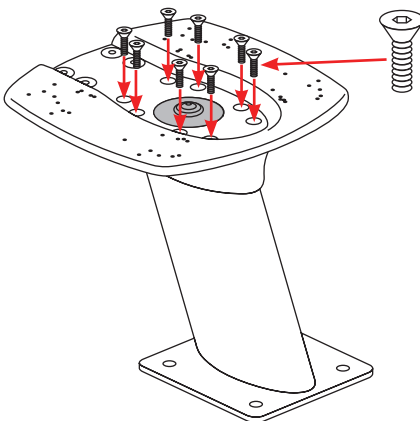
# 4



Insert the rubber radar cable grommet into the center of the Seaview Top Plate (sold separately). Make sure that the lip in the center of the Top Plate hole sits in the groove of the rubber grommet.

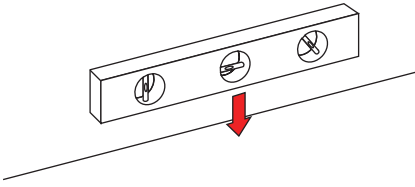
Then place the Top Plate on top of the mount, making sure that eight center bolt holes line up.

# 5



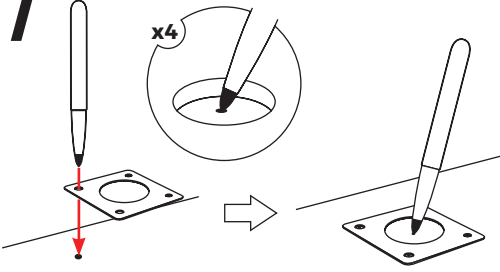
Using the eight  $\frac{5}{16}$  - 18x1" bolts from the Seaview Top Plate kit, bolt down the Top Plate.

# 6



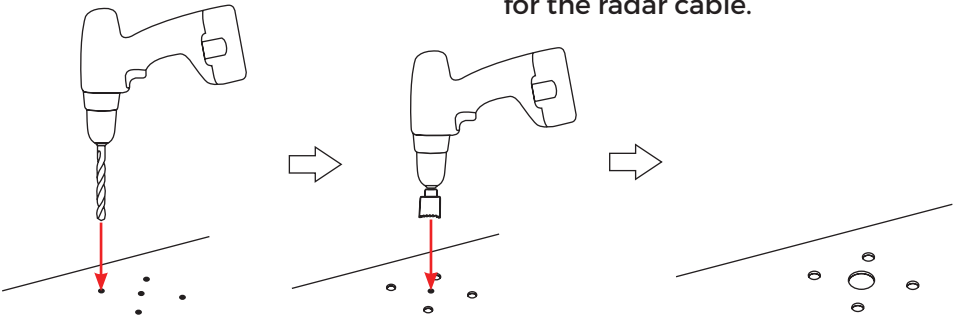
Using a straight edge make sure that the mounting surface is flat.

# 7



Mark the four bolt holes and center radar cable hole using the foam gasket as a template.

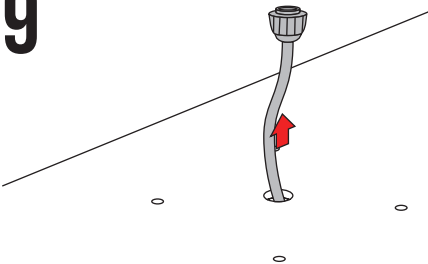
# 8



Using a 3/8" drill bit, drill the four bolt holes.

Use a 1 1/2" hole saw to cut a whole for the radar cable.

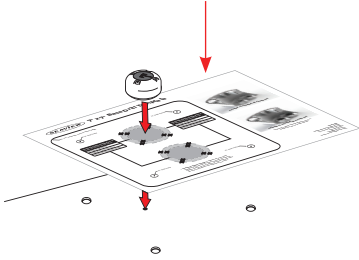
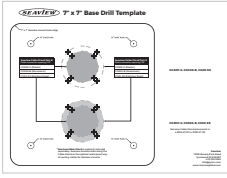
# 9



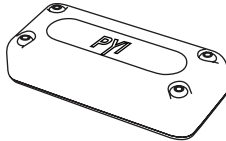
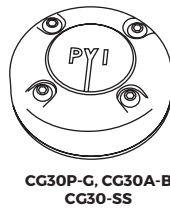
Route the radar cable through the 1 1/2" hole you just cut.

# OPTIONAL

For increased water security you can use a Seaview Cable Gland (sold separately) to route your marine electronic cables.

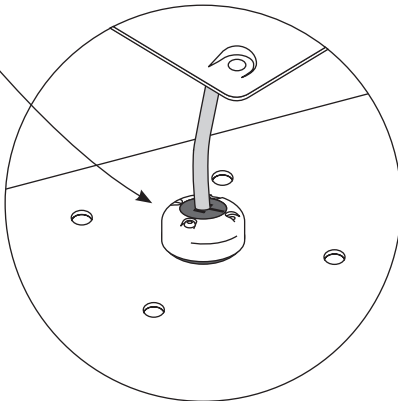


Take the provided base drill template and mark the four mounting holes for the Cable Gland. Refer to the Seaview Cable Gland instructions on how to complete the installation.

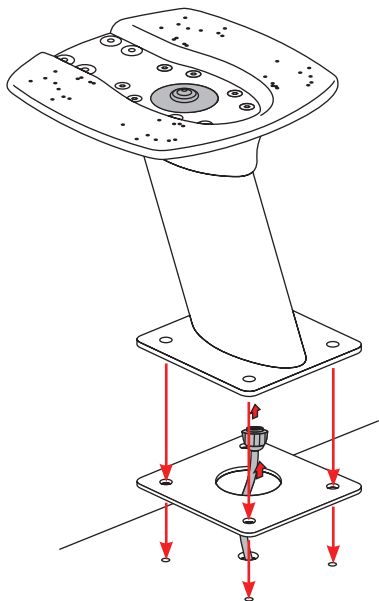


CGM17P-G  
CGM17A-B  
CGM17-SS

425-355-3669

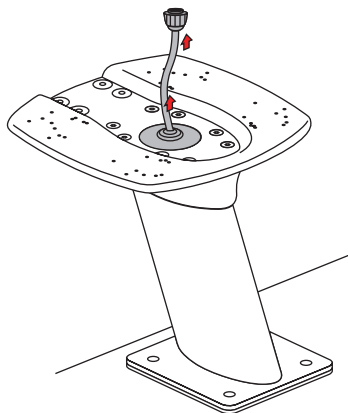


# 10



Place the foam gasket and Seaview mount over the bolt holes.

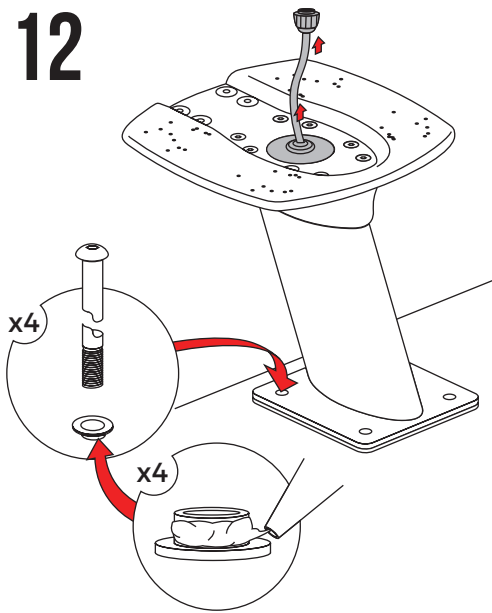
# 11



Route the radar cable through the mount and through the rubber grommet.

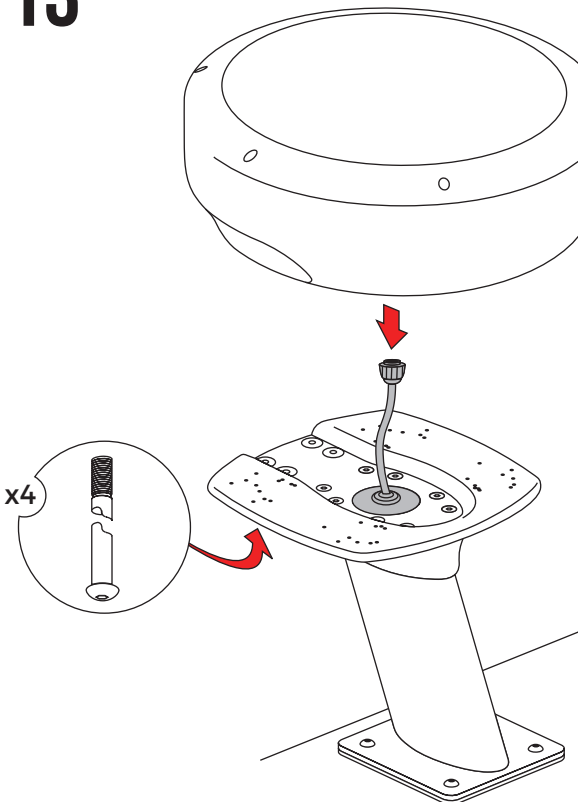


# 12



Using your own bolts and the four supplied nylon should washers bolt down the Seaview mount to the mounting surface.

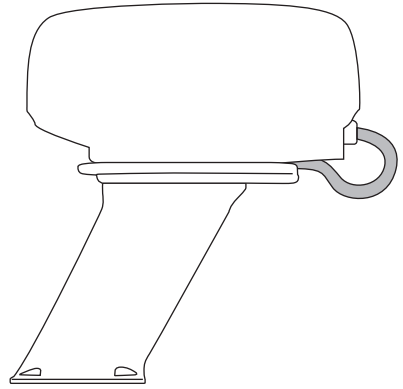
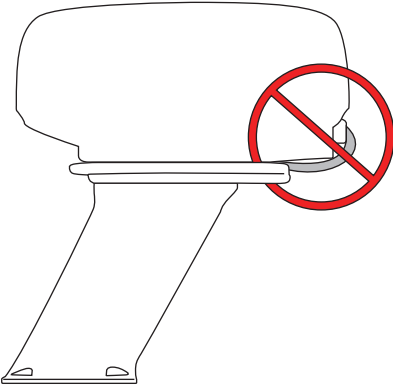
# 13



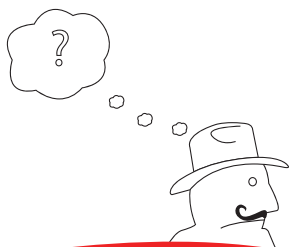
Secure your radar to the Top Plate using four bolts, be sure to follow the Seaview Top Plate instructions on how to do this.

# 14

Be sure to leave some slack on the radar cable.







## **NORTH AMERICAN OFFICE**

12532 Beverly Park Road,  
Lynnwood, WA 98087  
Tel: 800-523-7558  
Fax: 425-355-3661  
[www.seaviewglobal.com](http://www.seaviewglobal.com)

## **EUROPEAN OFFICE**

Tel: +33 4 94 53 27 70  
Fax: +33 4 94 53 26 62  
ZI Du Capitou, 85 Rue Louis  
Lepine, Frejus 83600 - France  
[www.seaviewprogress.com](http://www.seaviewprogress.com)