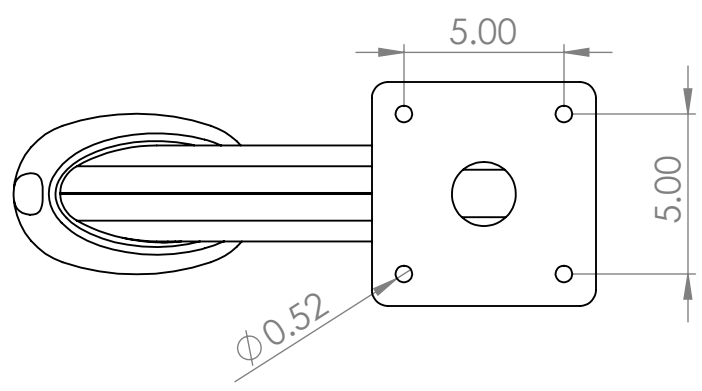
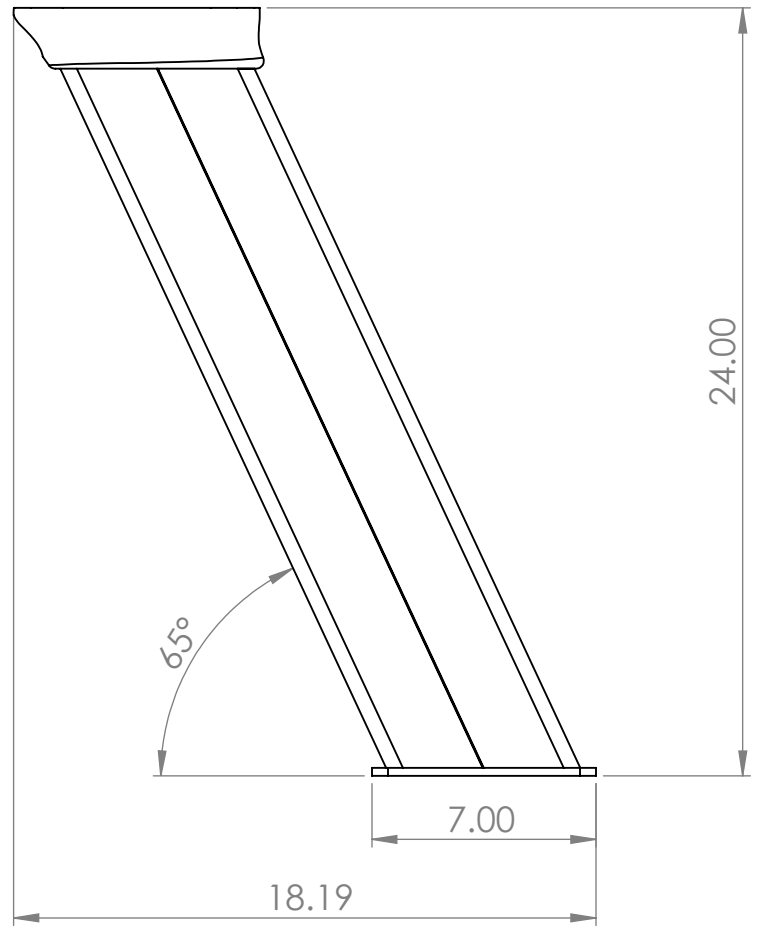
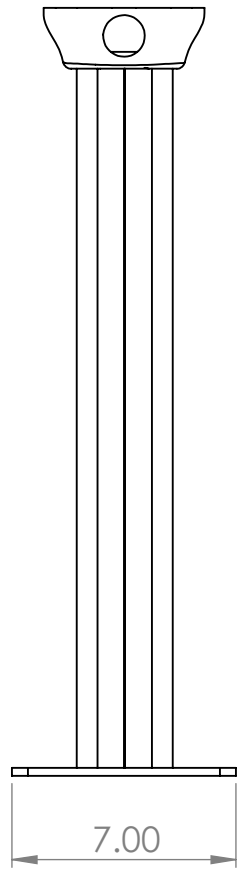


8 7 6 5 4 3 2 1

D
C
B
A

D
C
B
A



PROPRIETARY AND CONFIDENTIAL
THE INFORMATION CONTAINED IN THIS DRAWING IS THE SOLE PROPERTY OF <INSERT COMPANY NAME HERE>. ANY REPRODUCTION IN PART OR AS A WHOLE WITHOUT THE WRITTEN PERMISSION OF <INSERT COMPANY NAME HERE> IS PROHIBITED.

		UNLESS OTHERWISE SPECIFIED:		NAME	DATE	PYI Inc.	
		DIMENSIONS ARE IN INCHES TOLERANCES: FRACTIONAL ± ANGULAR: MACH ± BEND ± TWO PLACE DECIMAL ± THREE PLACE DECIMAL ±		DRAWN	J.A.		
		INTERPRET GEOMETRIC TOLERANCING PER:		CHECKED			TITLE: PMA-247-M1
		MATERIAL		ENG APPR.			
		FINISH		MFG APPR.			
NEXT ASSY	USED ON			Q.A.			SIZE B
APPLICATION		DO NOT SCALE DRAWING		COMMENTS:			DWG. NO.
							REV
							SCALE: 1:6
							WEIGHT:
							SHEET 1 OF 1

8 7 6 5 4 3 2 1