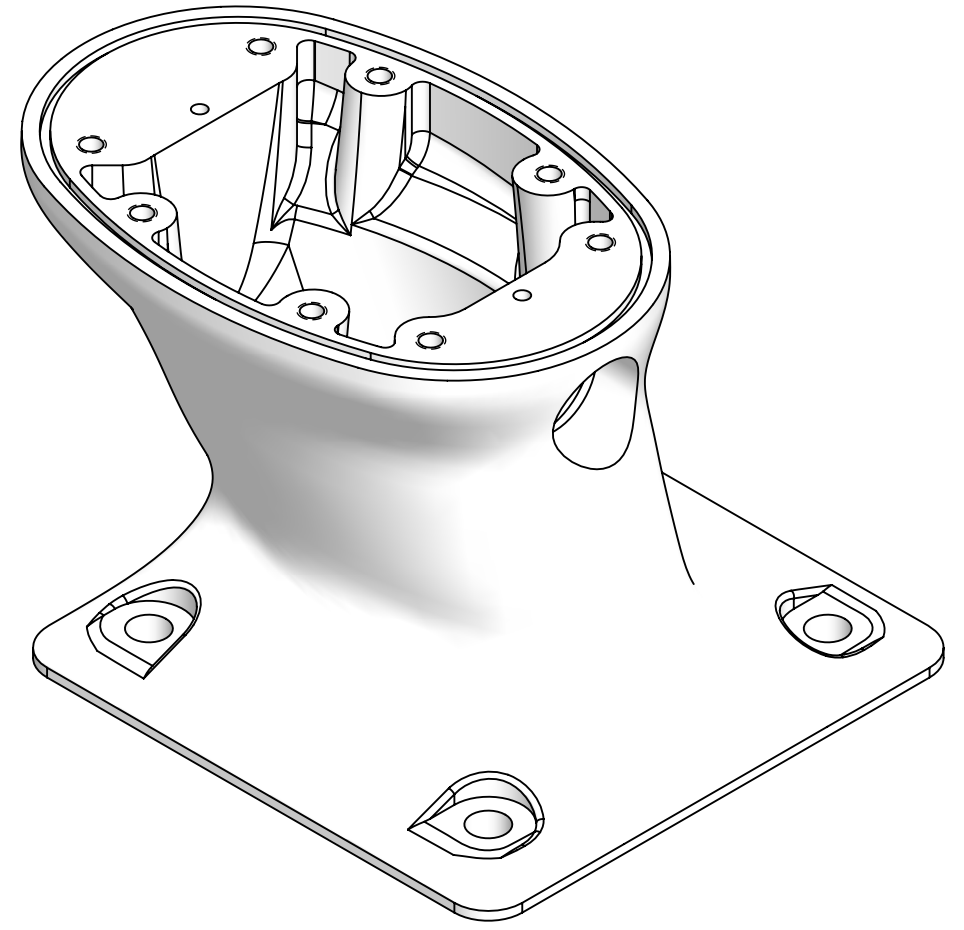
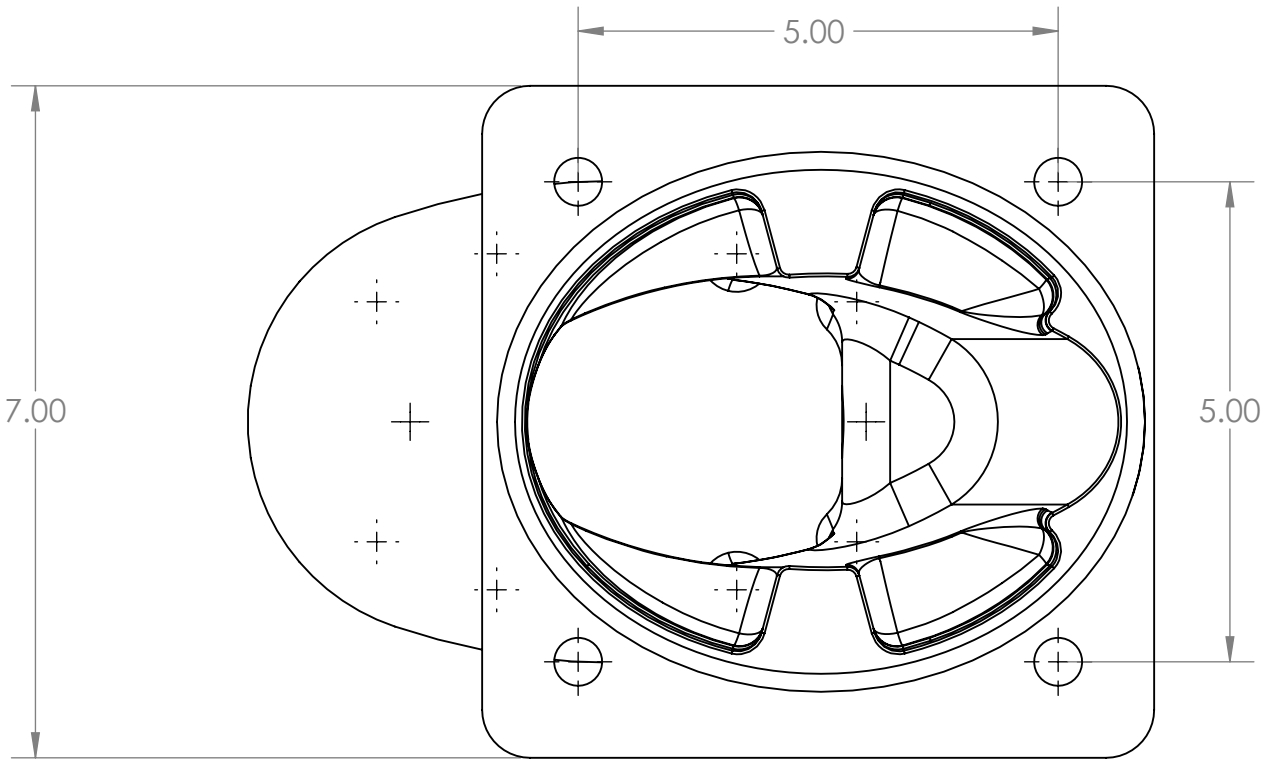
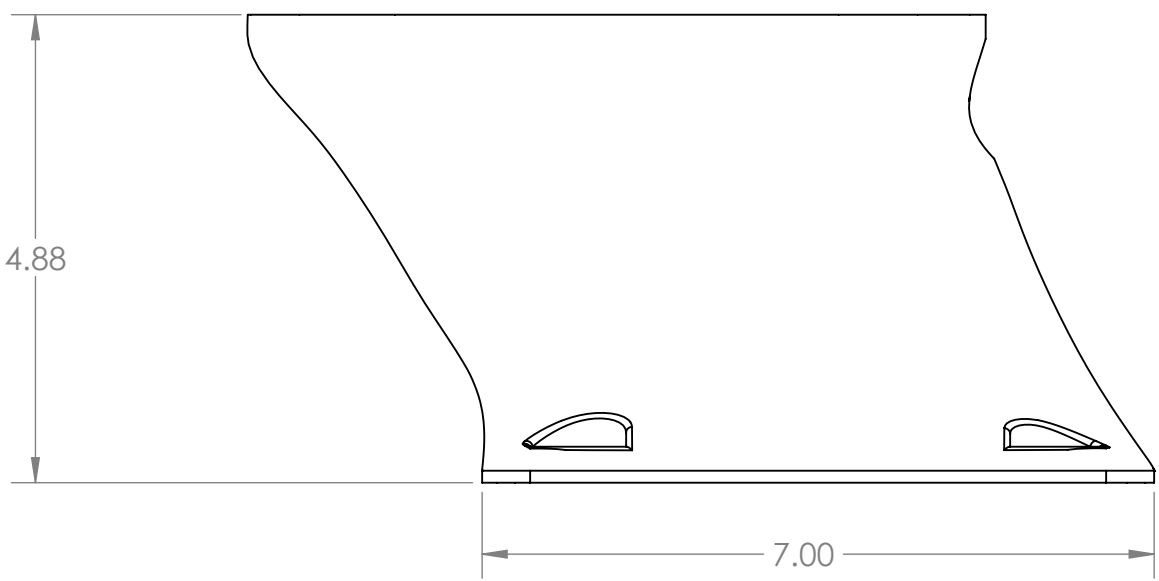


8 7 6 5 4 3 2 1

D
C
B
A



D
C
B
A

PROPRIETARY AND CONFIDENTIAL
 THE INFORMATION CONTAINED IN THIS DRAWING IS THE SOLE PROPERTY OF <INSERT COMPANY NAME HERE>. ANY REPRODUCTION IN PART OR AS A WHOLE WITHOUT THE WRITTEN PERMISSION OF <INSERT COMPANY NAME HERE> IS PROHIBITED.

		UNLESS OTHERWISE SPECIFIED:				PYI Inc.	
		DIMENSIONS ARE IN INCHES		DRAWN		TITLE:	
		TOLERANCES:		CHECKED		Forward lean	
		FRACTIONAL ±		ENG APPR.		Mod. Mount	
		ANGULAR: MACH ± BEND ±		MFG APPR.		SIZE	
		TWO PLACE DECIMAL ±		Q.A.		DWG. NO.	
		THREE PLACE DECIMAL ±		COMMENTS:		REV	
		INTERPRET GEOMETRIC TOLERANCING PER:				B PMF-57-M1	
		MATERIAL				SCALE: 1:2	
NEXT ASSY		FINISH				WEIGHT:	
USED ON		DO NOT SCALE DRAWING				SHEET 1 OF 1	
APPLICATION							

8 7 6 5 4 3 2 1