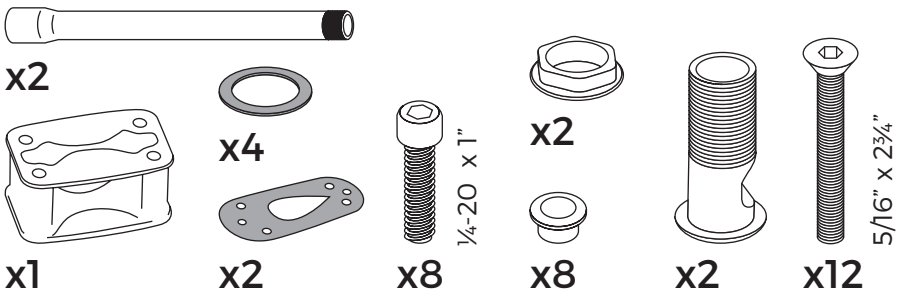
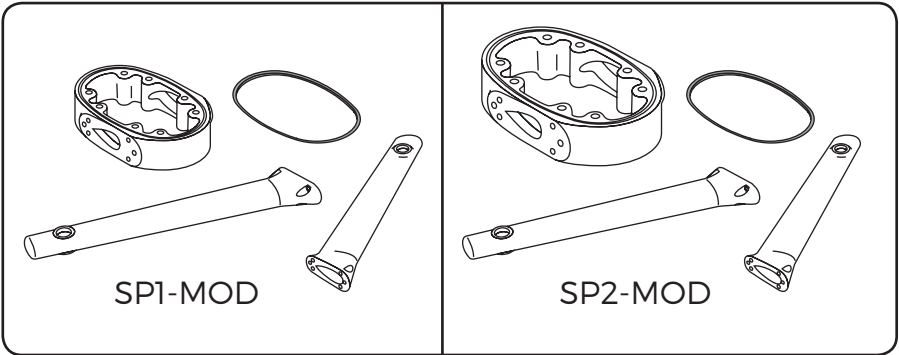


SP1-MOD, SP2-MOD

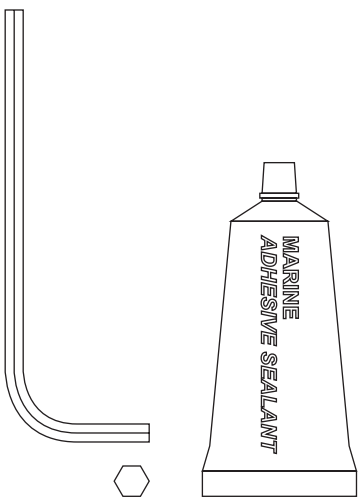
INSTALLATION INSTRUCTIONS

www.seaviewglobal.com

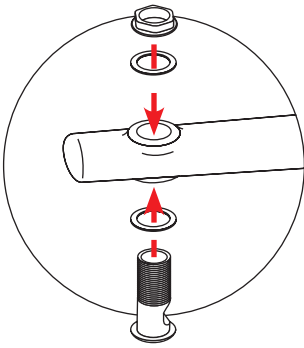
PARTS INCLUDED



TOOLS NEEDED



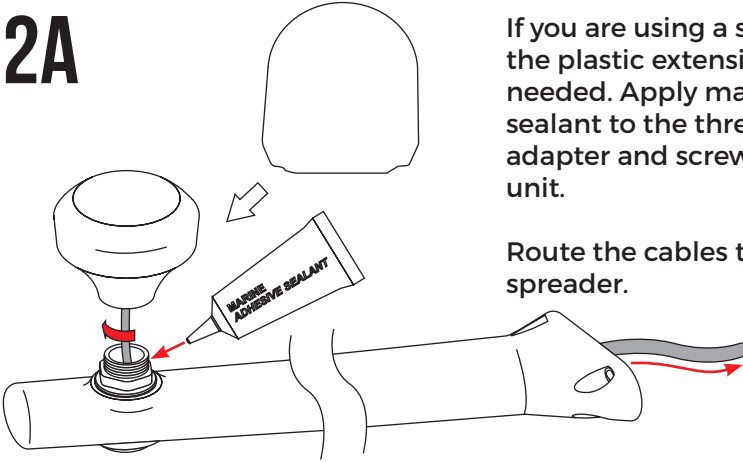
1



Apply the rubber grommet onto the threaded adapter and then insert through the spreader.

Apply another rubber grommet and plastic nut on the threaded adapter.

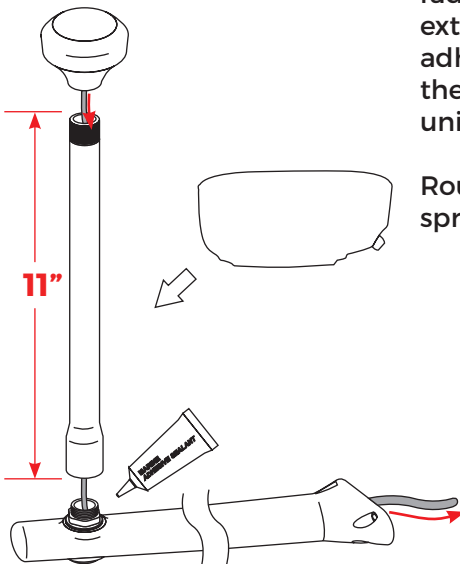
2A



If you are using a satellite dome the plastic extension rod is not needed. Apply marine adhesive sealant to the threads of the adapter and screw on the GPS unit.

Route the cables through the spreader.

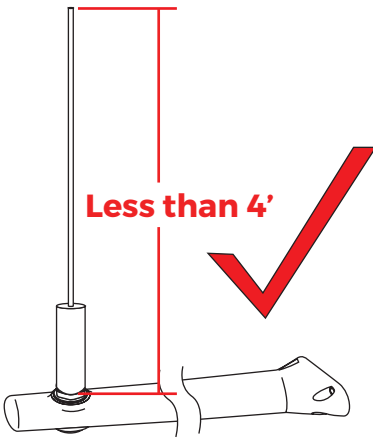
2B



If you are using a closed dome radar use the provided plastic extension rods. Apply marine adhesive sealant to the threads of the adapter and screw on the GPS unit.

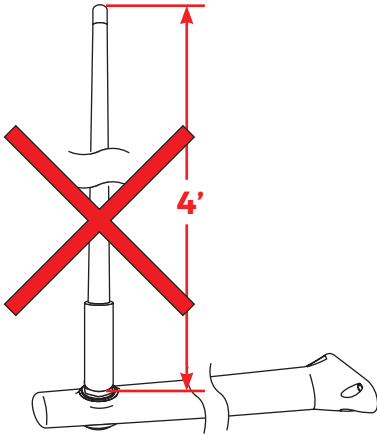
Route the cables through the spreader.

3A



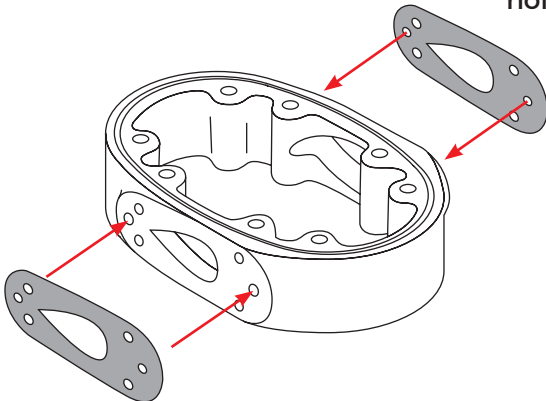
If your fiberglass antenna is less than 4' tall then you are ok.

3B



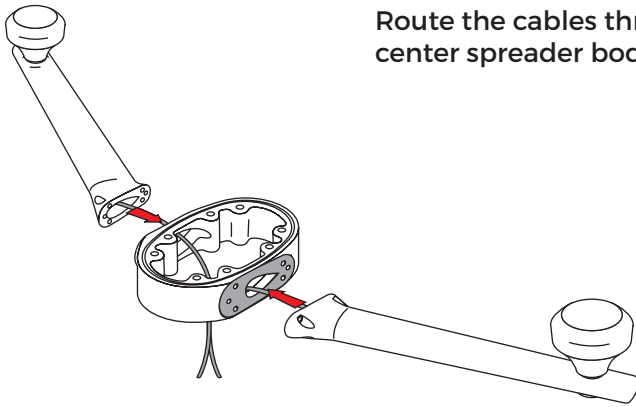
Do **NOT** use 4' or taller fiberglass antennas with Seaview Spreader Kits. Please call 800-523-7558.

4



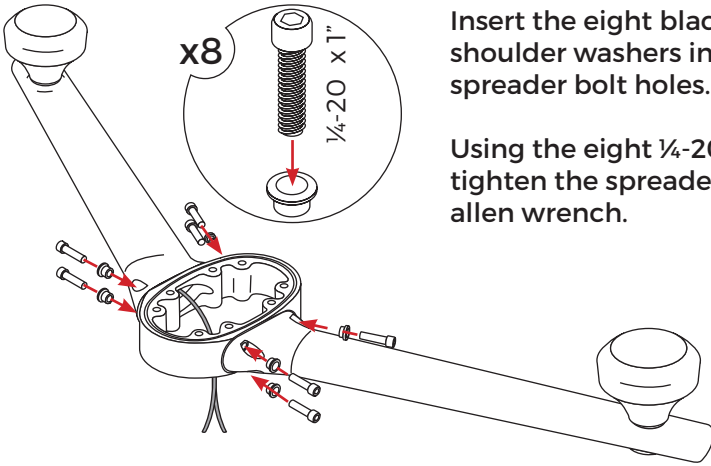
Place the rubber gaskets onto the sides of the center spreader body. Make sure that the six mounting holes line up.

5



Route the cables through the center spreader body.

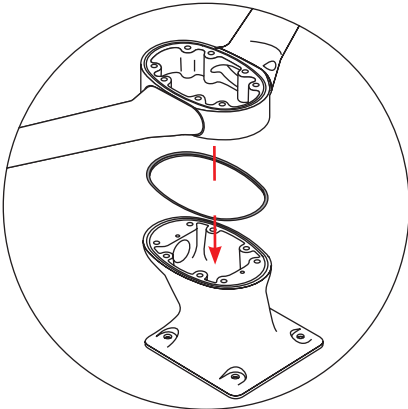
6



Insert the eight black plastic shoulder washers into the spreader bolt holes.

Using the eight 1/4-20 x 1" bolts tighten the spreaders with an allen wrench.

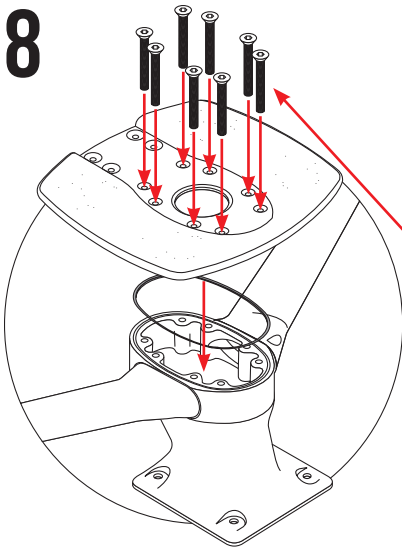
7



Place the rubber gasket in the groove on the top of the Seaview mount.

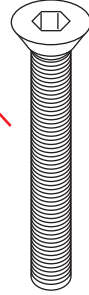
Then place the Spreader Kit on top of the assembly.

8



Place the rubber gasket that comes with the Seaview Top Plate Kit into the groove on the top of the Spreader Kit center body.

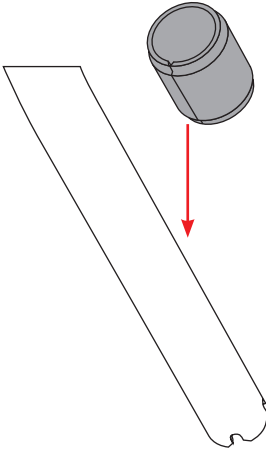
Bolt the assembly together using the eight $\frac{5}{16} \times 2\frac{3}{4}$ " bolts.



$\frac{5}{16} \times 2\frac{3}{4}$ "

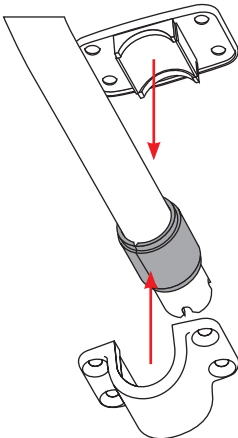
x8

9



If you are using an optional Seaview Lightbar wrap the rubber bushing around the end of the lightbar.

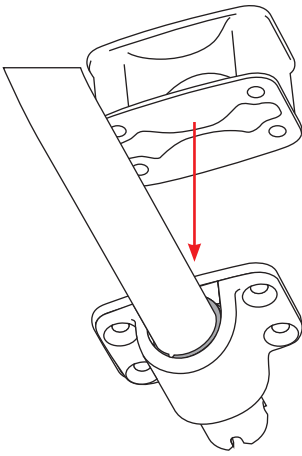
10



Place the white plastic adapter piece on top of the rubber bushing.

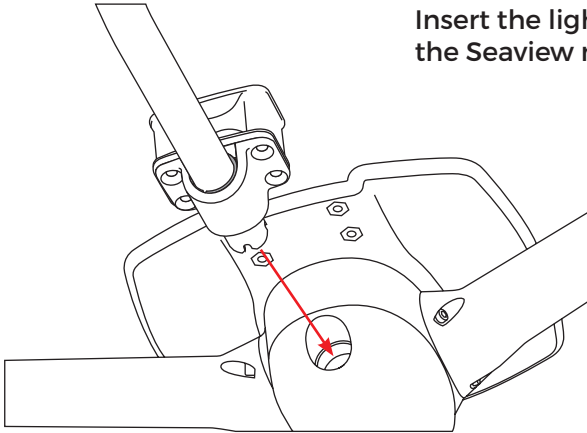
Place the stainless steel bracket onto the bottom of the rubber bushing.

11



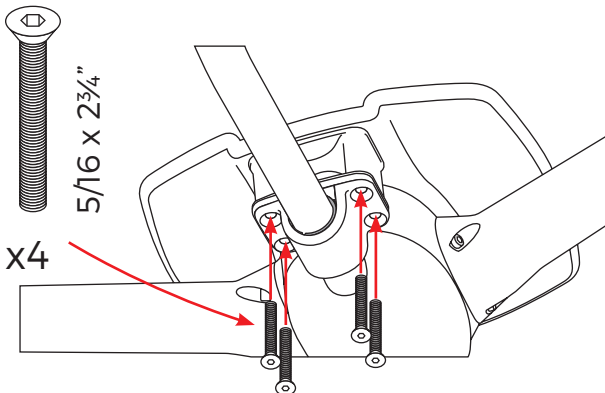
Place the white plastic spacer on top of the adapter.

12

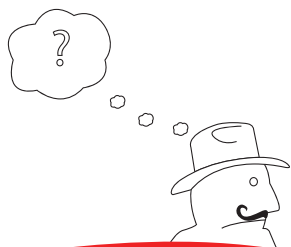


Insert the lightbar into the back of the Seaview mount.

13



Bolt the assembly together with four $\frac{5}{16} \times 2\frac{3}{4}$ " bolts.



NORTH AMERICAN OFFICE

12532 Beverly Park Road,
Lynnwood, WA 98087
Tel: 800-523-7558
Fax: 425-355-3661
www.seaviewglobal.com

EUROPEAN OFFICE

Tel: +33 4 94 53 27 70
Fax: +33 4 94 53 26 62
ZI Du Capitou, 85 Rue Louis
Lepine, Frejus 83600 - France
www.seaviewprogress.com