

Source: www.seaviewglobal.com/en/categories/300000147

SEAVIEW SM-G18-U

A high polished stainless steel guard for closed dome radars and satdomes.
Please refer to the electronic fitting guide below.

Fits these electronics:

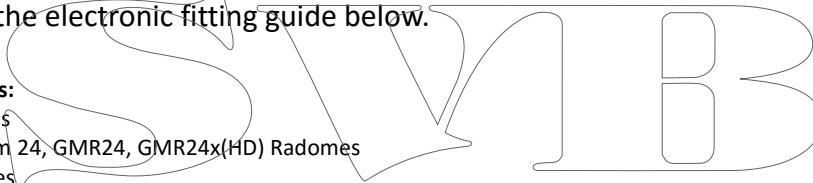
Furuno: 15" – 18" Radomes
Garmin: GMR Fantom 18, GMR18, GMR18x(HD)
Intellian: i2, i3, i4, i4P, FB150, FB250
JRC: JUE 250, JUE 33
Koden: 18" (MDC 900 Series) Radomes
KVH: M1DX, M1, TV1, M2, M3, M3DX, M3ST, V3, V3-IP, TV3, M5, TV5, FB250
Lorenz: 18" – 24" Radomes
Lowrance: 3G, 4G Radomes
Raymarine: 18" (Does not fit Quantum Radar, use SM-G24-U instead), 33STV, 37STV, 45STV
Sea-Tel (Cobham): ST14, FX150 (16.5")
Simrad: 3G, 4G Radomes
Sitex: 18" (T760/T921) Radome
Seiwa / Techmarine: 12" – 24" Radomes
Thrane & Thrane: FB150, FB250, Fleet 33, Fleet 33+
VDO: Ocean Line 132 (18"), 337 (15")

SEAVIEW SM-G24-U

A high polished stainless steel guard for closed dome radars and satdomes.
Please refer to the electronic fitting guide below.

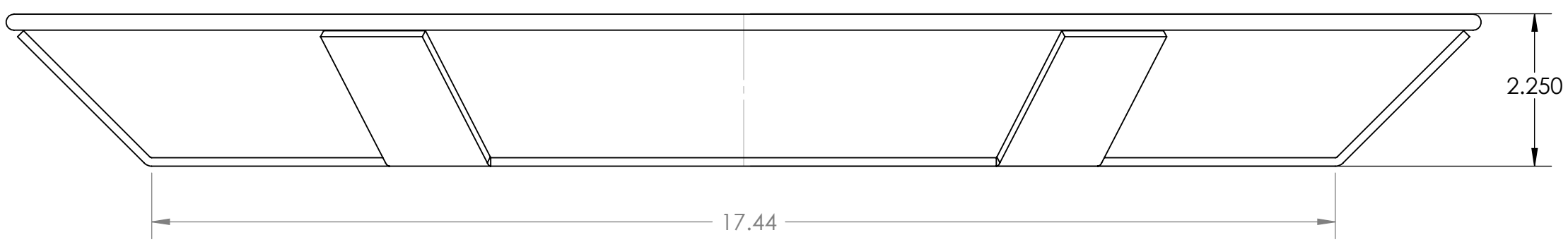
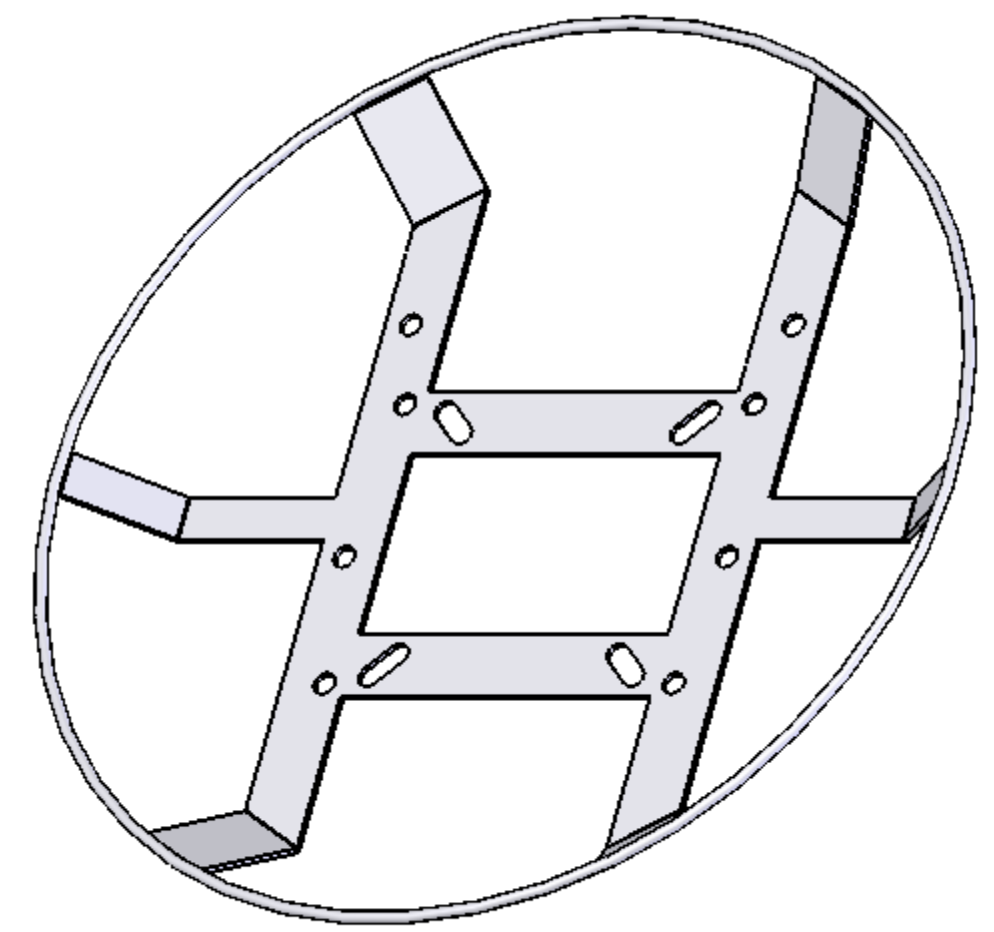
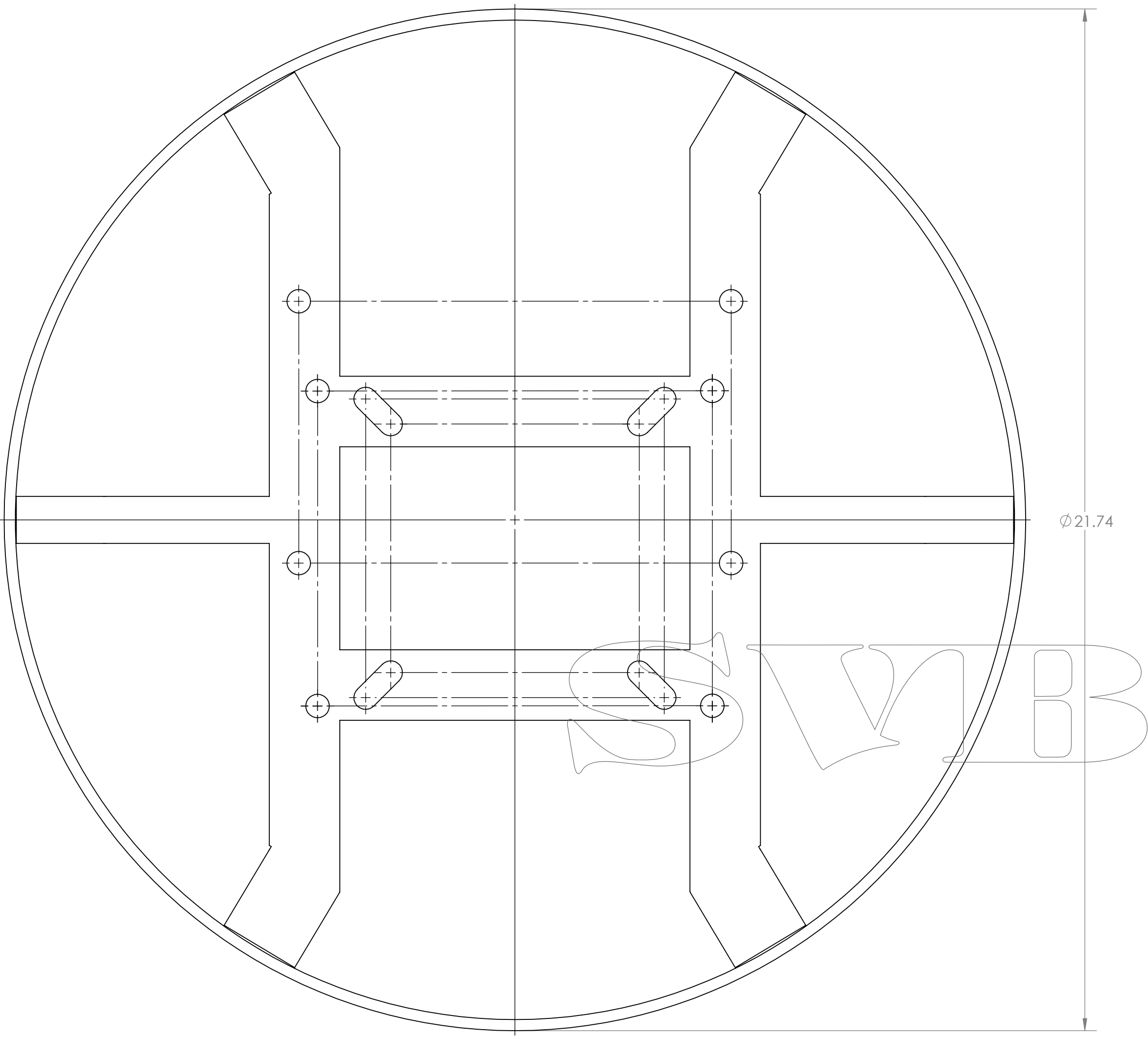
Fits these electronics:

Furuno: 24" Radomes
Garmin: GMR Fantom 24, GMR24, GMR24x(HD) Radomes
Geonav: 24" Radomes
Glomex: 20" – 27" Satdomes
Humminbird: HB2124 CHIRP Radar
Intellian: i5, i6, i6P, S6HD, FB500
JRC: JUE 500, JMA-5104, NKE-2042
Koden: 25" (MDC 900 Series) Radomes
KVH: M7, M7SK, HD7, V7, TV6, FB500 (26")V3-IP (24"), TV7-IP
Raymarine: 24" radar domes, Quantum closed dome radar, 60STV
Sea-Tel (Cobham): C18, FX250 (24")
Simrad: DX64S
Sitex: 24" (T761) Radome, 25" Radomes
Thrane & Thrane: Sailor FB500, Fleet55+
VDO: Ocean Line 345 (18"), 360, 445, 460 (24")



8 7 6 5 4 3 2 1

F
E
D
C
B
A



PROPRIETARY AND CONFIDENTIAL
 THE INFORMATION CONTAINED IN THIS DRAWING IS THE SOLE PROPERTY OF <INSERT COMPANY NAME HERE>. ANY REPRODUCTION IN PART OR AS A WHOLE WITHOUT THE WRITTEN PERMISSION OF <INSERT COMPANY NAME HERE> IS PROHIBITED.

		UNLESS OTHERWISE SPECIFIED:		NAME	DATE
		DIMENSIONS ARE IN INCHES	DRAWN		
		TOLERANCES:	CHECKED		
		FRACTIONAL ±	ENG APPR.		
		ANGULAR: MACH ± BEND ±	MFG APPR.		
		TWO PLACE DECIMAL ±	Q.A.		
		THREE PLACE DECIMAL ±	COMMENTS:		
		INTERPRET GEOMETRIC TOLERANCING PER:			
		MATERIAL			
		FINISH			
NEXT ASSY	USED ON				
APPLICATION	DO NOT SCALE DRAWING				

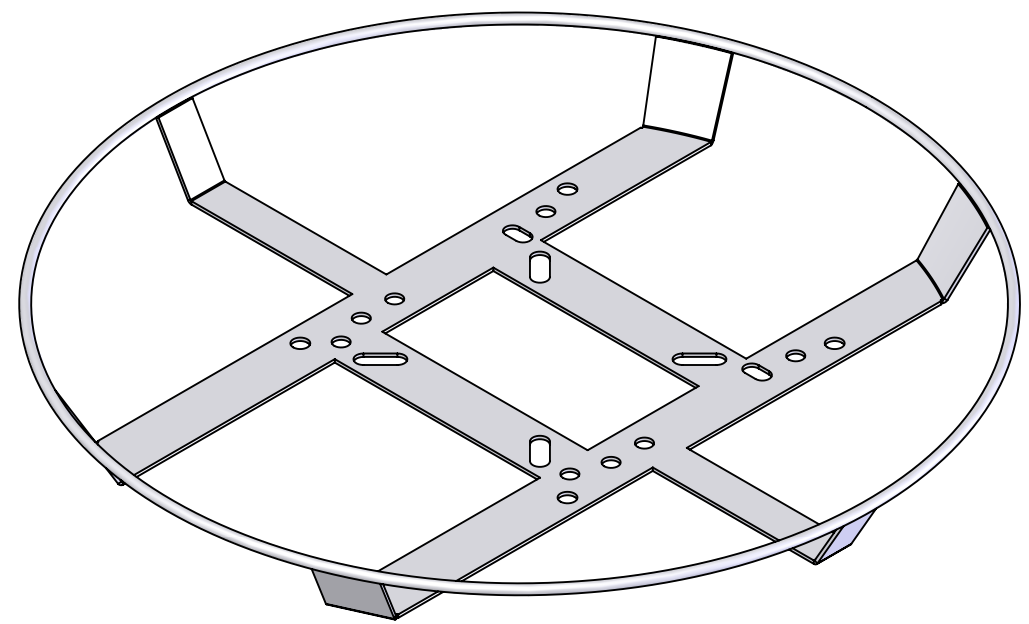
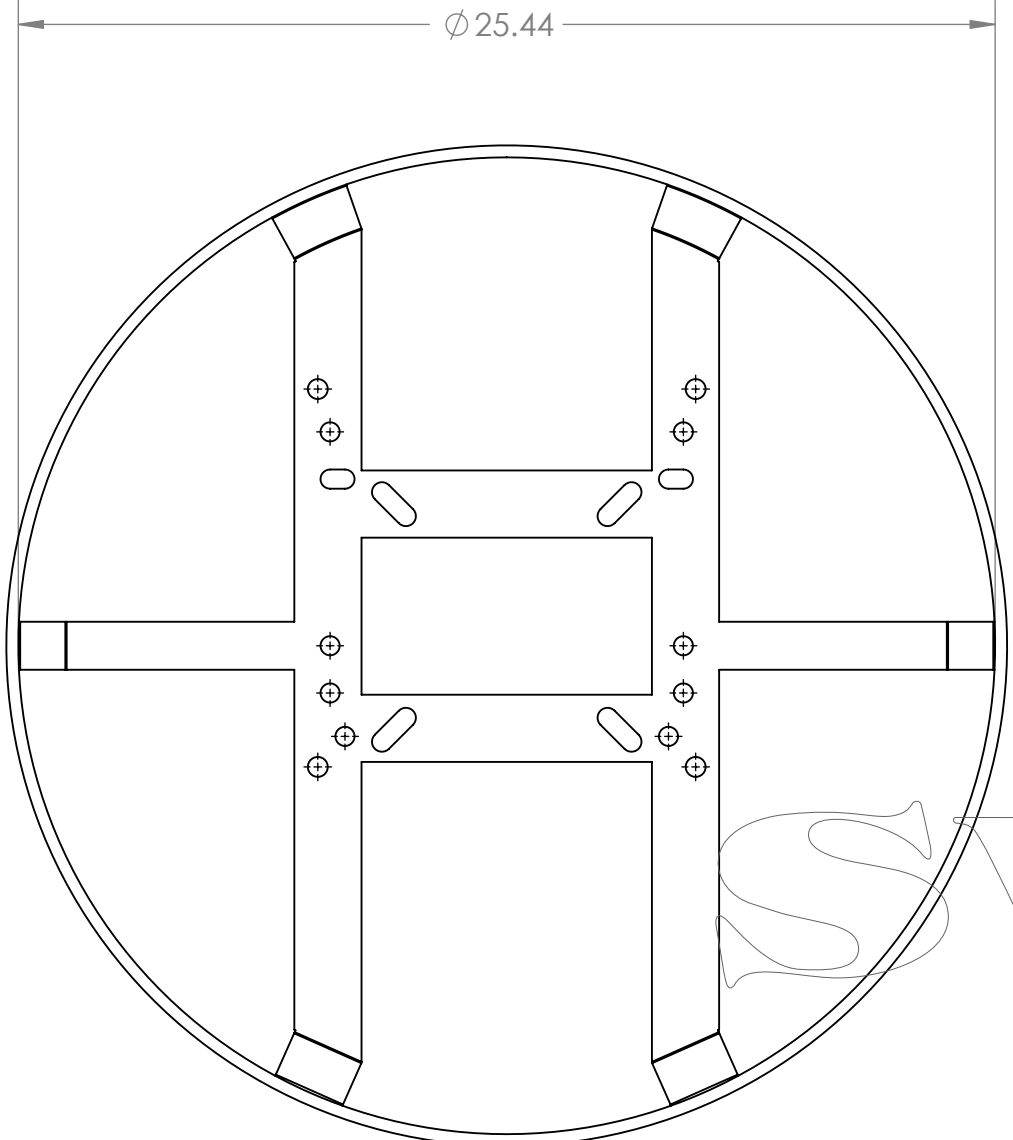
PYI, INC.		
TITLE: SMG-18		
SIZE	DWG. NO.	REV
C		
SCALE: 1:4	WEIGHT:	SHEET 1 OF 1

8 7 6 5 4 3 2 1

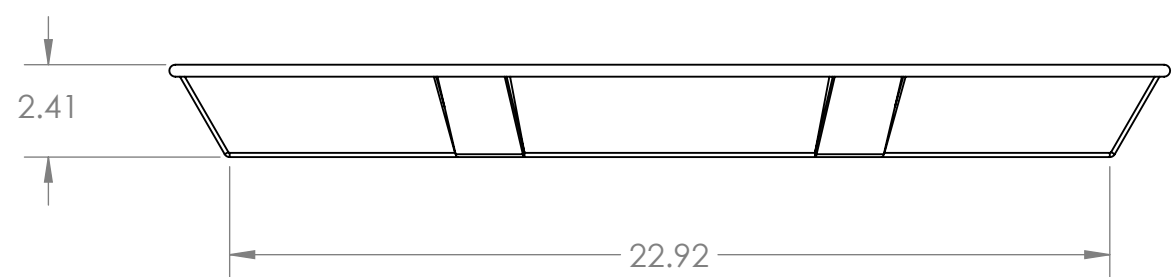
8 7 6 5 4 3 2 1

D
C
B
A

D
C
B
A



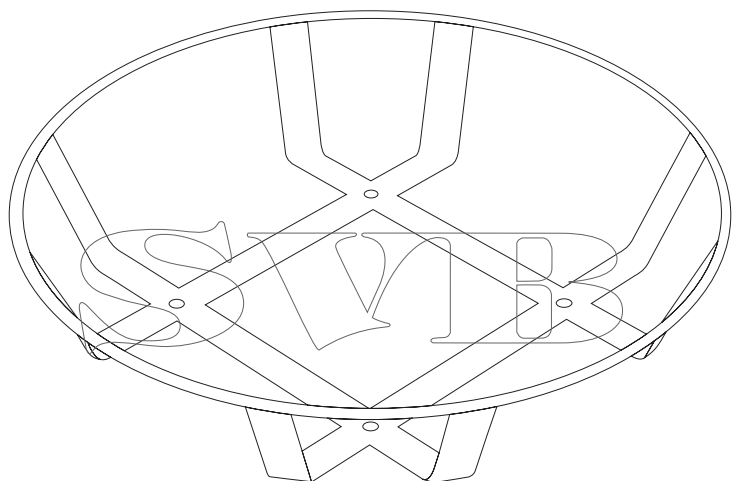
S.S. VIB



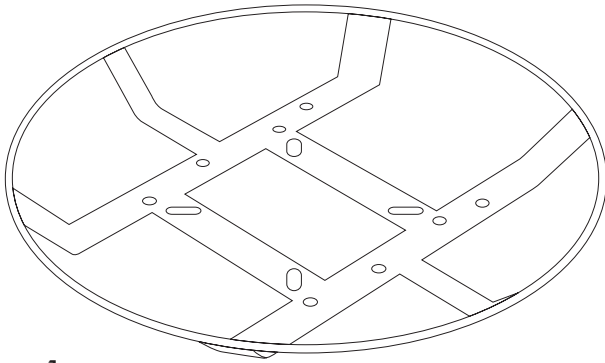
PROPRIETARY AND CONFIDENTIAL
 THE INFORMATION CONTAINED IN THIS DRAWING IS THE SOLE PROPERTY OF <INSERT COMPANY NAME HERE>. ANY REPRODUCTION IN PART OR AS A WHOLE WITHOUT THE WRITTEN PERMISSION OF <INSERT COMPANY NAME HERE> IS PROHIBITED.

		UNLESS OTHERWISE SPECIFIED:				P.Y.I. Inc.	
		DIMENSIONS ARE IN INCHES		DRAWN		TITLE:	
		TOLERANCES:		CHECKED		S.S. guard for	
		FRACTIONAL ±		ENG APPR.		24" radomes	
		ANGULAR: MACH ± BEND ±		MFG APPR.		SIZE DWG. NO. REV	
		TWO PLACE DECIMAL ±		Q.A.		B SMG-24-U	
		THREE PLACE DECIMAL ±		COMMENTS:		SCALE: 1:5 WEIGHT: SHEET 1 OF 1	
		INTERPRET GEOMETRIC TOLERANCING PER:					
		MATERIAL					
		FINISH					
NEXT ASSY	USED ON	DO NOT SCALE DRAWING					
APPLICATION							

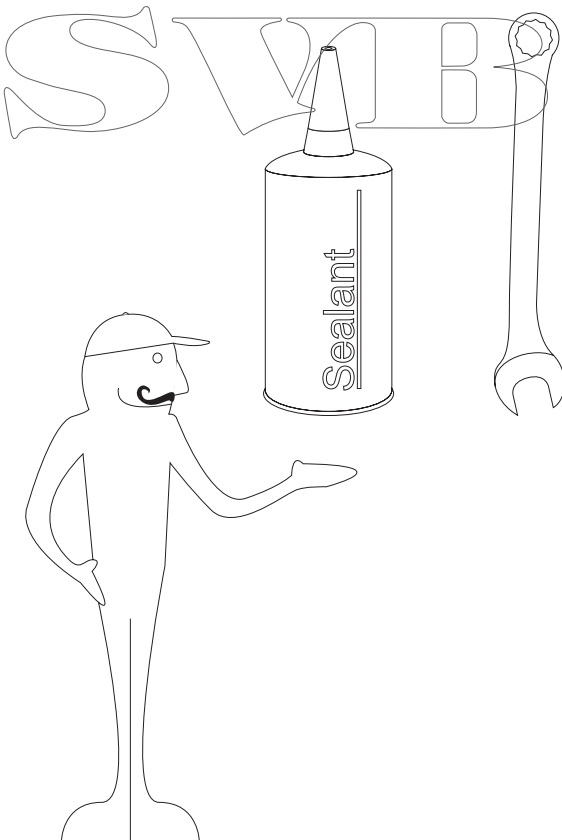
8 7 6 5 4 3 2 1



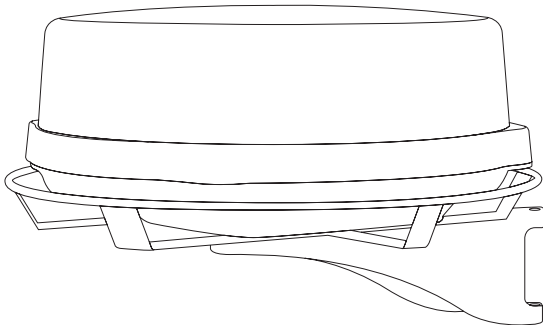
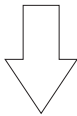
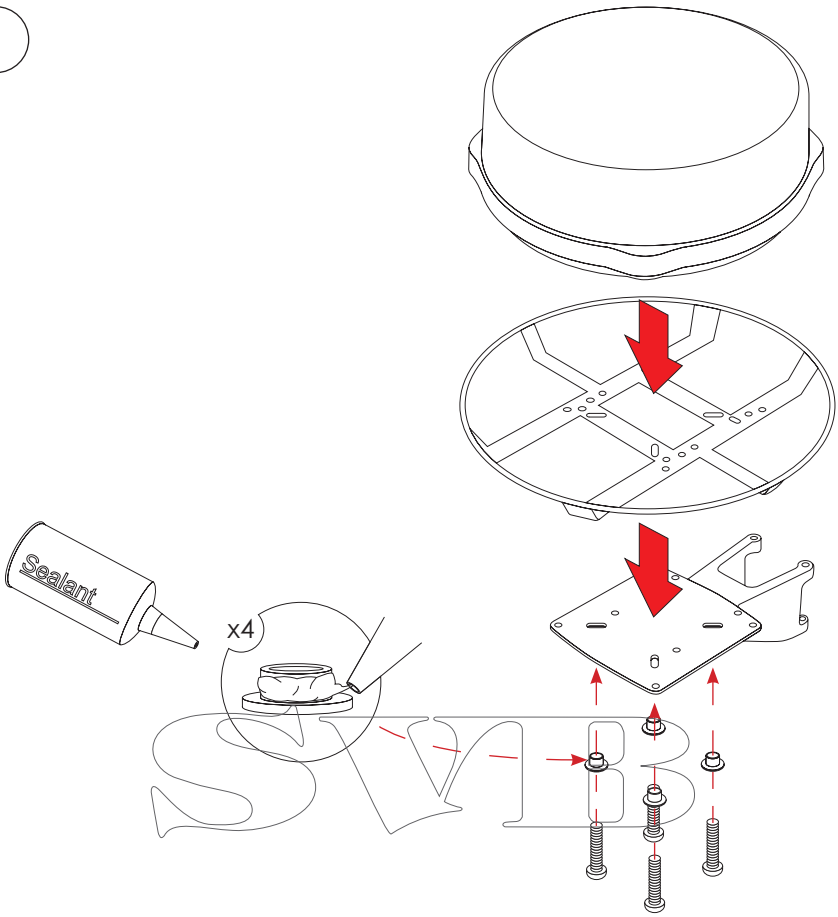
SM-G18-U / SM-G24-U



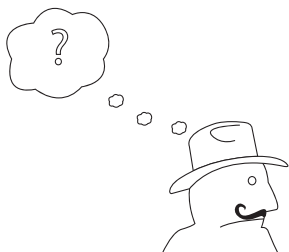
x1



1



SVIB



North American Office

12532 Beverly Park Road,
Lynnwood, WA 98087
Tel: 800-523-7558
Fax: 425-355-3661
www.seaviewglobal.com

European Office

Tel: +33 4 94 53 27 70
Fax: +33 4 94 53 26 62
ZI Du Capitou, 85 Rue Louis Lepine,
Frejus 83600 - France
www.seaviewprogress.com