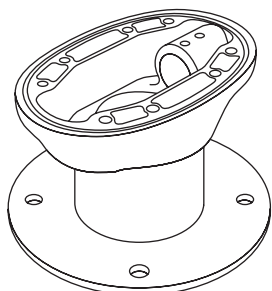


AM5-M1, AM12-M1, AM18-M1

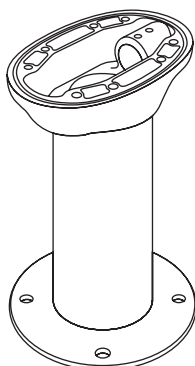
INSTALLATION INSTRUCTIONS

www.seaviewglobal.com

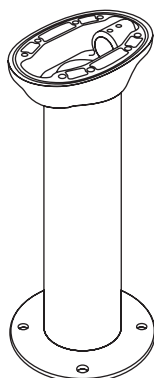
PARTS INCLUDED



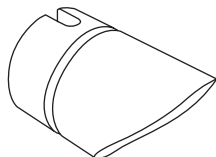
AM5-M1



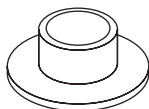
AM12-M1



AM18-M1



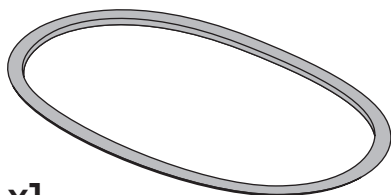
x1



x4



x1

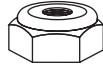


x1



x1

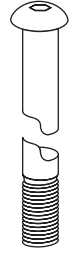
TOOLS NEEDED



x4



x4

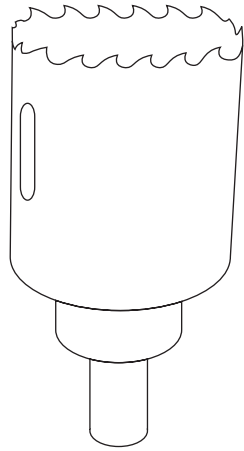
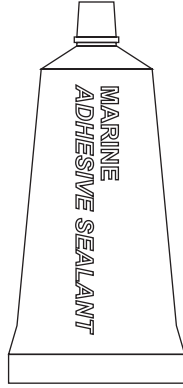


x4

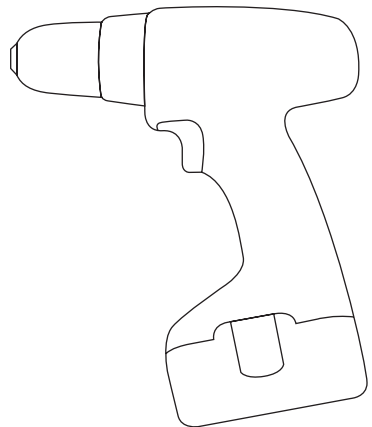
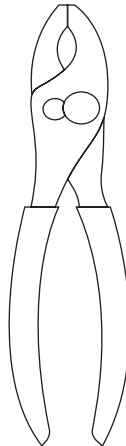
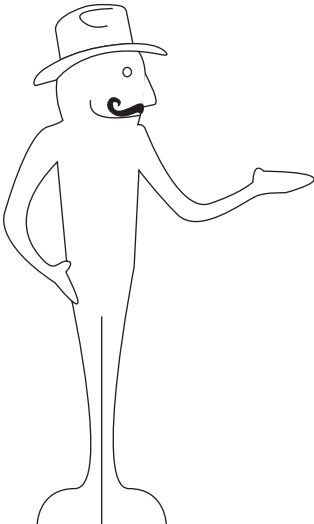
5/16 inch = 8mm



5/16 inch = 8mm

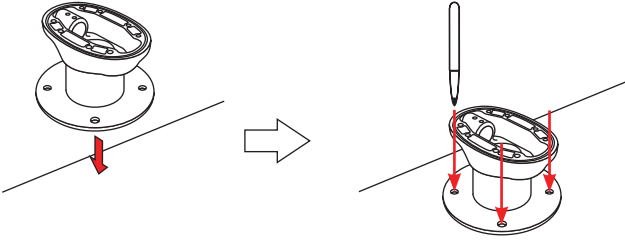


1.5 inch = 38mm



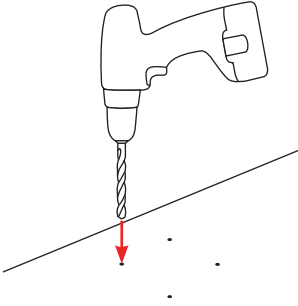
1

Place the Seaview mount onto the mounting surface and mark the four bolt holes for drilling.



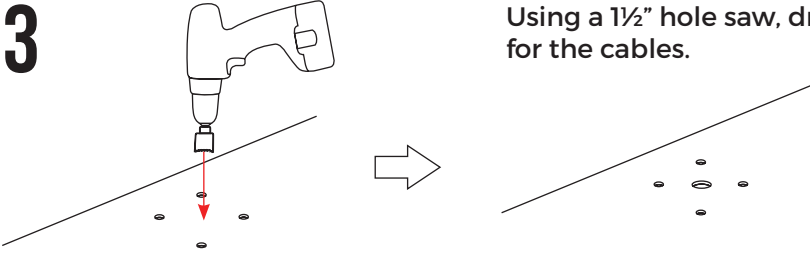
2

Using a $\frac{5}{16}$ " drill bit, drill out the four bolt holes.



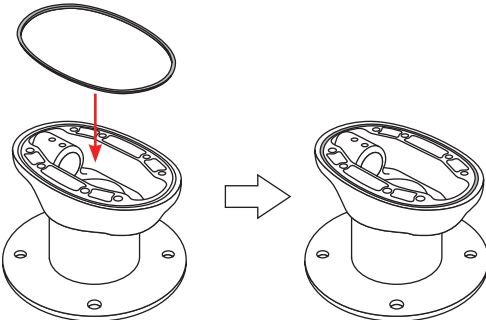
3

Using a $1\frac{1}{2}$ " hole saw, drill a hole for the cables.



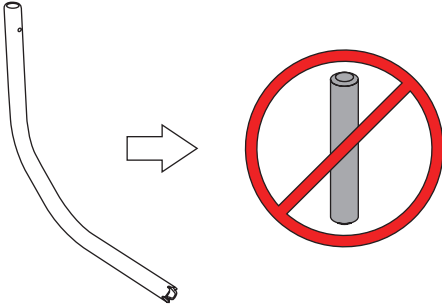
4

Place the rubber gasket into the groove on the top of the Seaview mount.

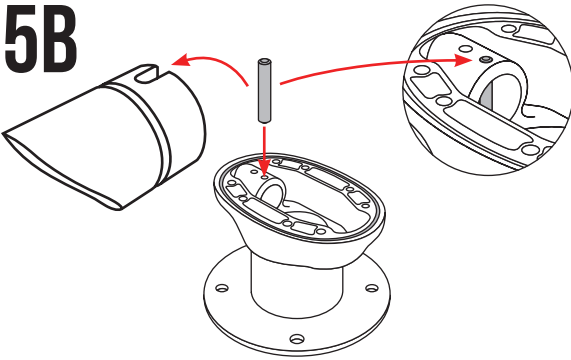


5A

If you are using an optional Seaview Lightbar, do not use the black pin.



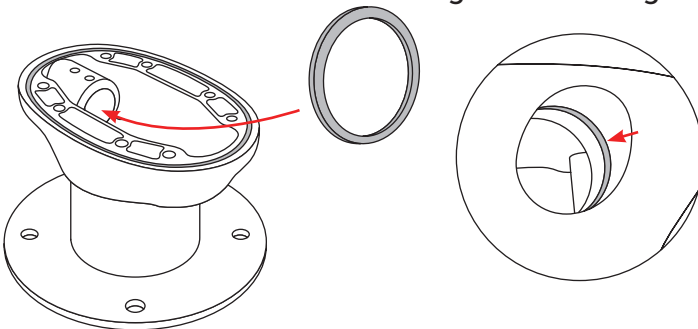
5B



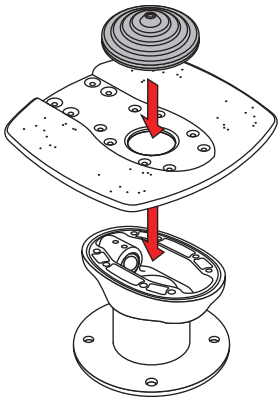
If you are **NOT** using a lightbar, use the white plastic plug instead. Insert the black pin in the first hole of the lightbar insert.

6

Insert the rubber o-ring into the groove in the lightbar hole.

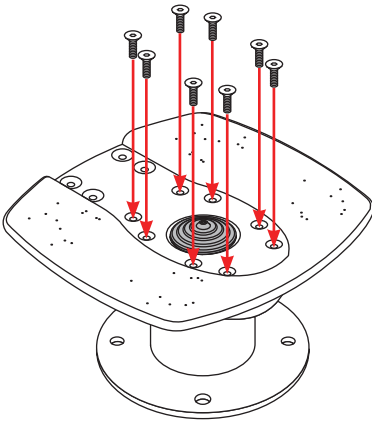


7



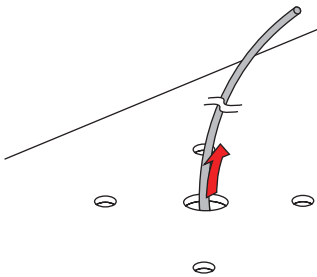
Insert the radar cable grommet that comes with the Seaview Top Plate kit into the center hole of the top Plate. Please refer to the instructions that came with the Seaview Top Plate for more details.

8



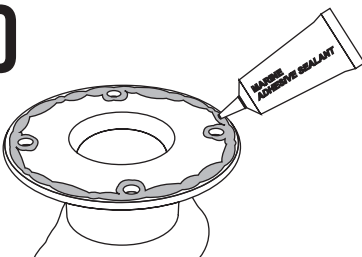
Secure the Seaview Top Plate to the mount using the eight bolts that come with the Seaview Top Plate.

9



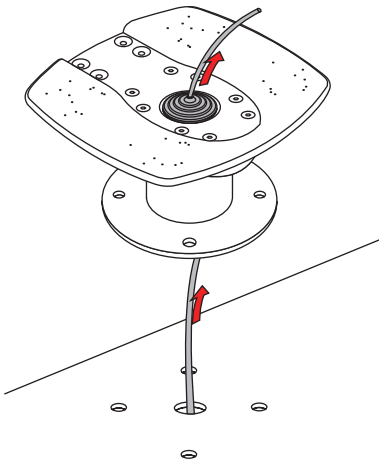
Route the cables through the mounting surface.

10



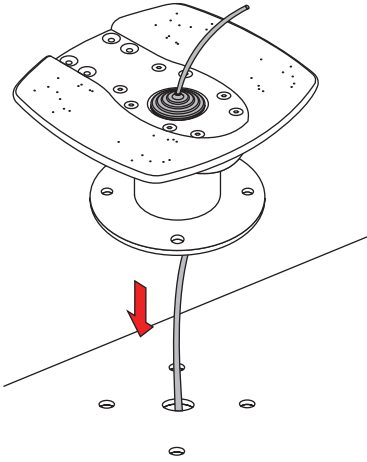
Place marine adhesive sealant on the bottom of the base. Be sure to get around the four bolt holes.

11



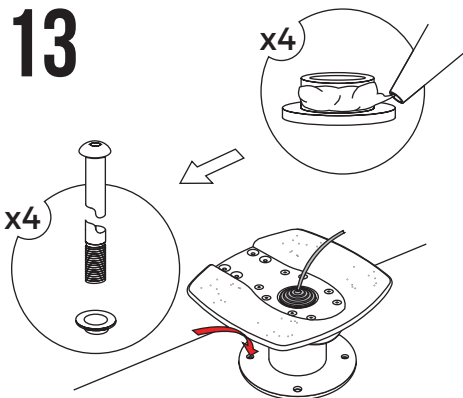
Route the cables through the Seaview mount and through the Top Plate.

12

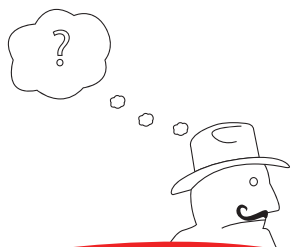


Place the assembly on top of the mounting surface. Make sure that the four bolt holes lineup.

13



Apply marine adhesive sealant around the four nylon shoulder washers. Using your own bolts, bolt the mount to the mounting surface.



NORTH AMERICAN OFFICE

12532 Beverly Park Road,
Lynnwood, WA 98087
Tel: 800-523-7558
Fax: 425-355-3661
www.seaviewglobal.com

EUROPEAN OFFICE

Tel: +33 4 94 53 27 70
Fax: +33 4 94 53 26 62
ZI Du Capitou, 85 Rue Louis
Lepine, Frejus 83600 - France
www.seaviewprogress.com