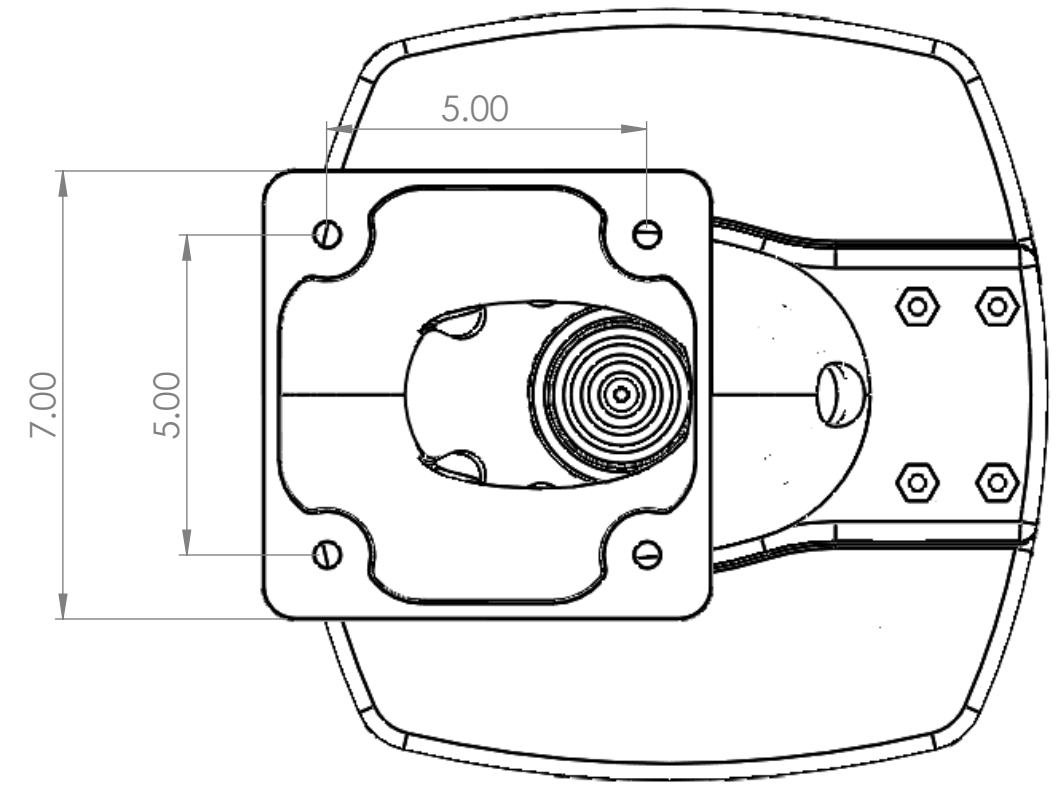
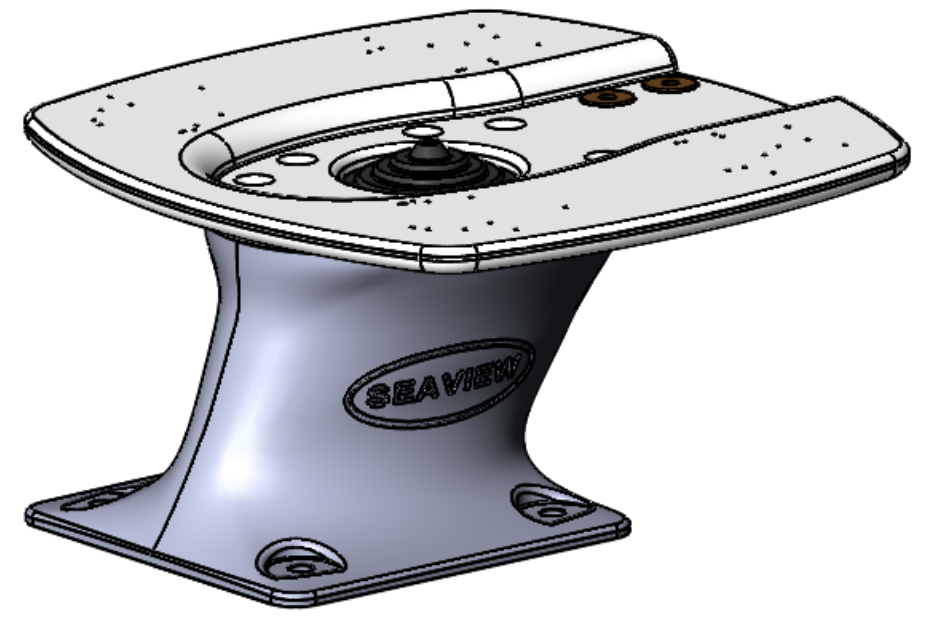
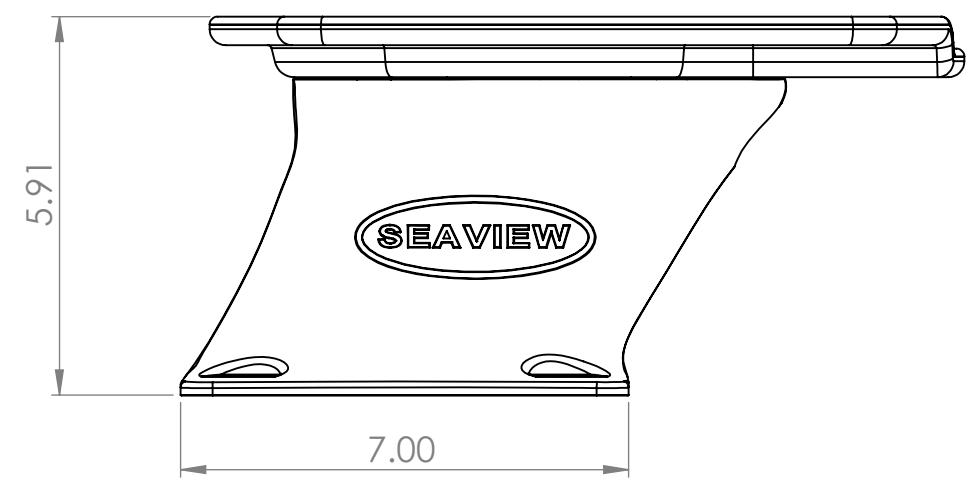


8 7 6 5 4 3 2 1

D  
C  
B  
A

D  
C  
B  
A



**PROPRIETARY AND CONFIDENTIAL**  
 THE INFORMATION CONTAINED IN THIS DRAWING IS THE SOLE PROPERTY OF <INSERT COMPANY NAME HERE>. ANY REPRODUCTION IN PART OR AS A WHOLE WITHOUT THE WRITTEN PERMISSION OF <INSERT COMPANY NAME HERE> IS PROHIBITED.

		UNLESS OTHERWISE SPECIFIED:		NAME	DATE	PYI Inc.	
		DIMENSIONS ARE IN INCHES TOLERANCES: FRACTIONAL ± ANGULAR: MACH ± BEND ± TWO PLACE DECIMAL ± THREE PLACE DECIMAL ±		DRAWN	J.A.		
		INTERPRET GEOMETRIC TOLERANCING PER:		CHECKED			TITLE: <b>S.S. Radar Mount</b>
		MATERIAL		ENG APPR.			
		FINISH		MFG APPR.			
NEXT ASSY	USED ON	APPLICATION		Q.A.	COMMENTS:		SIZE DWG. NO. REV
		DO NOT SCALE DRAWING					<b>B</b> PMA-57L-SS
							SCALE: 1:3 WEIGHT: SHEET 1 OF 1

8 7 6 5 4 3 2 1